

Webster Wall

600WEBW

1.1



GENERAL PRODUCT INFORMATION:

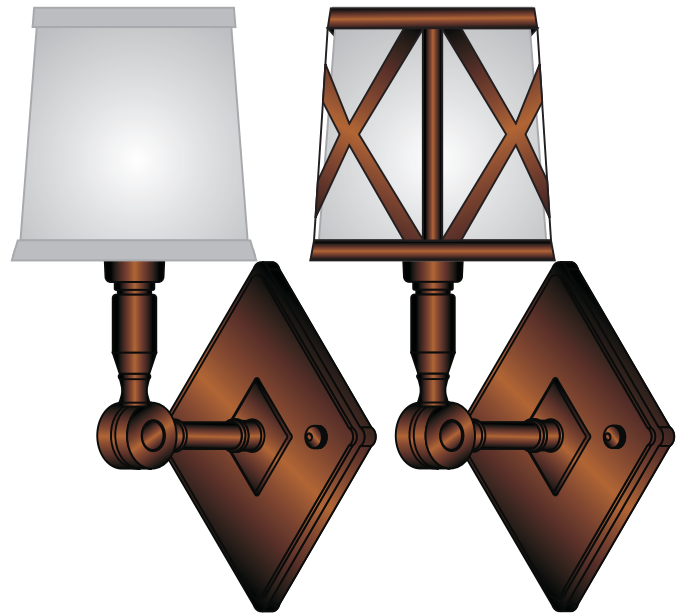


This product can mount to either a 4" square electrical box with round plaster ring or an octagon electrical box.

This product is suitable for indoor dry locations only.

This product can be dimmed with a standard incandescent dimmer.

This instruction shows a typical installation.

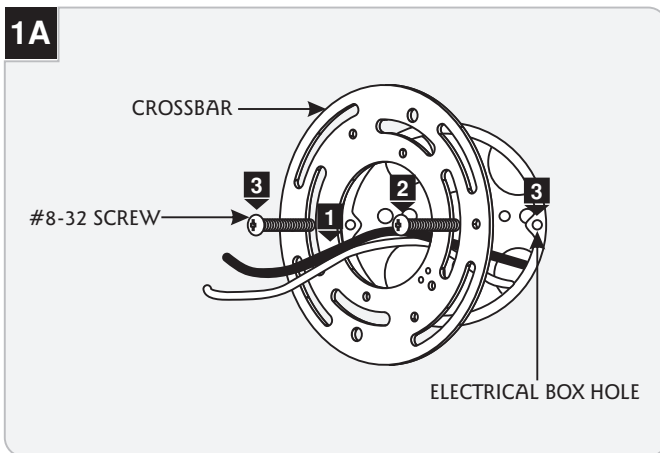


(Shown with optional metal frame.)

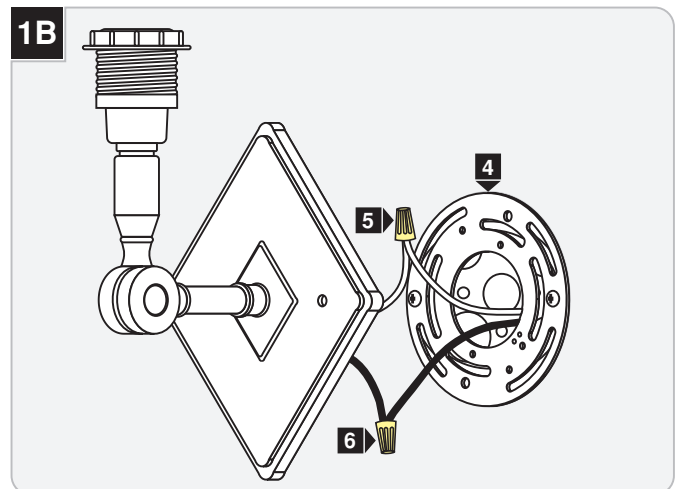
CAUTION - RISK OF FIRE

This product requires installation by a qualified electrician. Before installing be sure to read all instructions and **TURN THE POWER TO THE ELECTRICAL BOX OFF.**

Install the Fixture

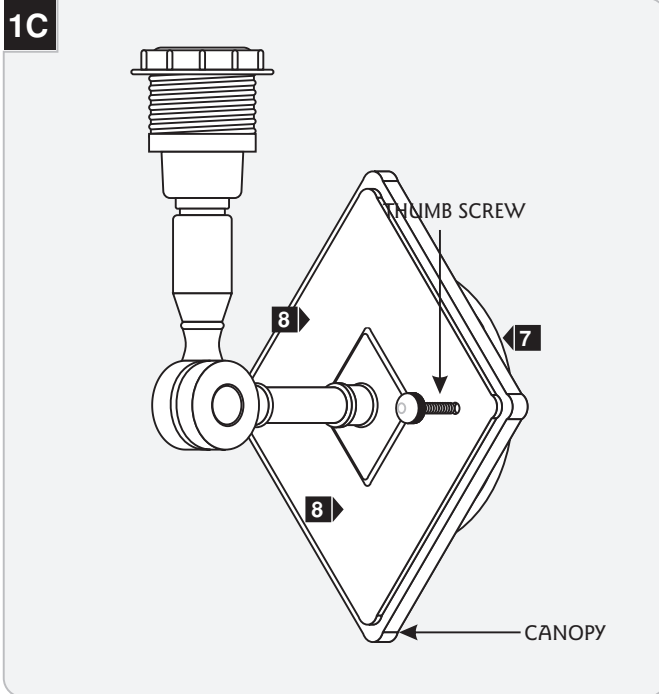


- 1▶ Feed the power line wires through the crossbar center hole.
- 2▶ Line up the two crossbar slots with the electrical box holes.
- 3▶ Mount the crossbar to the electrical box with the two #8-32 screws provided.

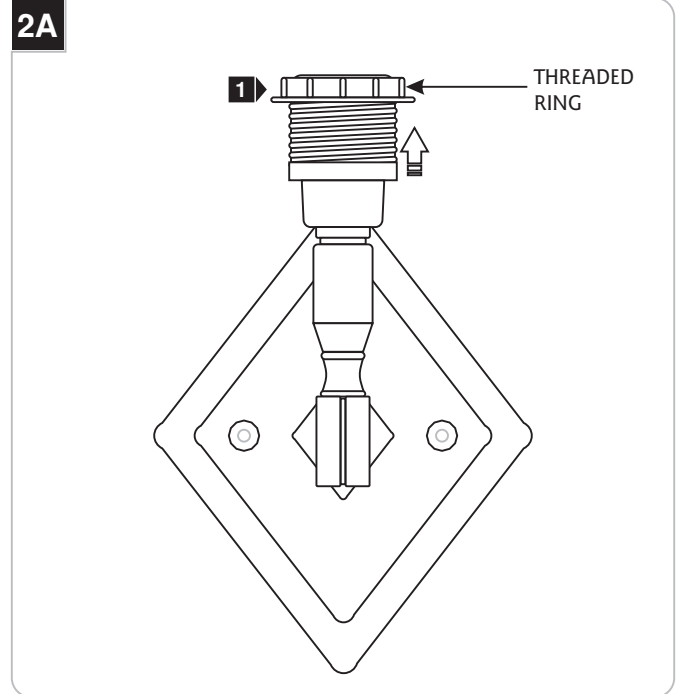


- 4▶ In accordance with local electrical codes, make sure that the crossbar is grounded.
- 5▶ Connect the fixture white wire to the neutral power line wire with a wire nut.
- 6▶ Connect the fixture black wire to the hot power line wire with a wire nut.

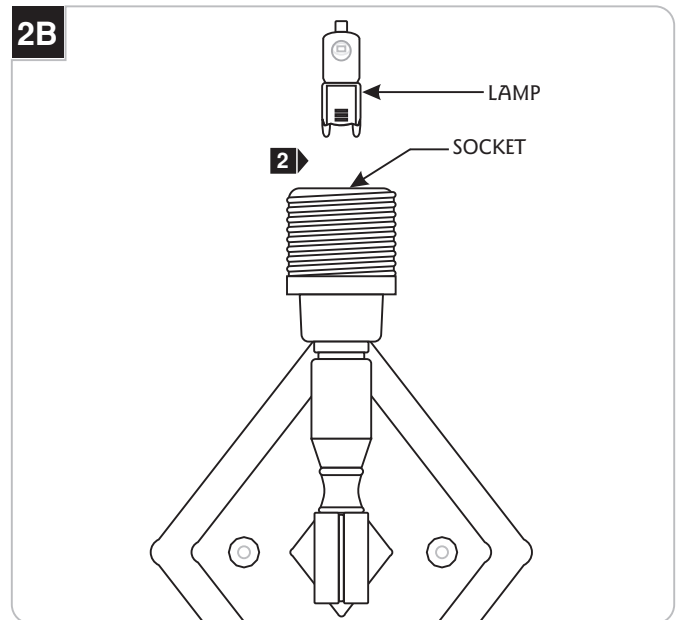
Install the Lamp and Shade



- 7** Place all wires and wire nut connections properly inside the electrical box.
- 8** Align the fixture canopy holes to the crossbar threaded holes and secure by tightening the two thumb screws.



- 1** Untighten and remove the threaded ring from the socket.



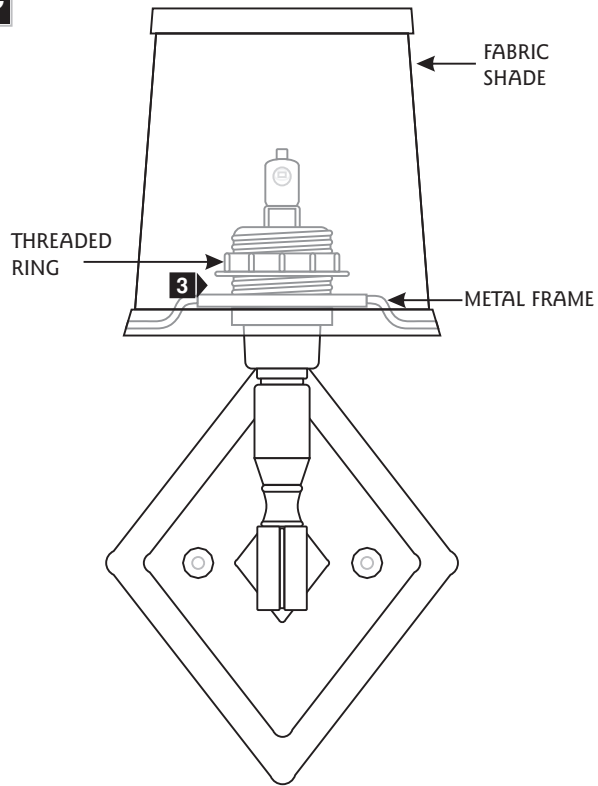
NOTE: The G9 lamp has an integral glass envelope and is thus safe to be used without a lamp shield.

Use **MAX** 120 Volt, **75** Watt Type T4, G9 Base, Bi-Pin Halogen Lamp.



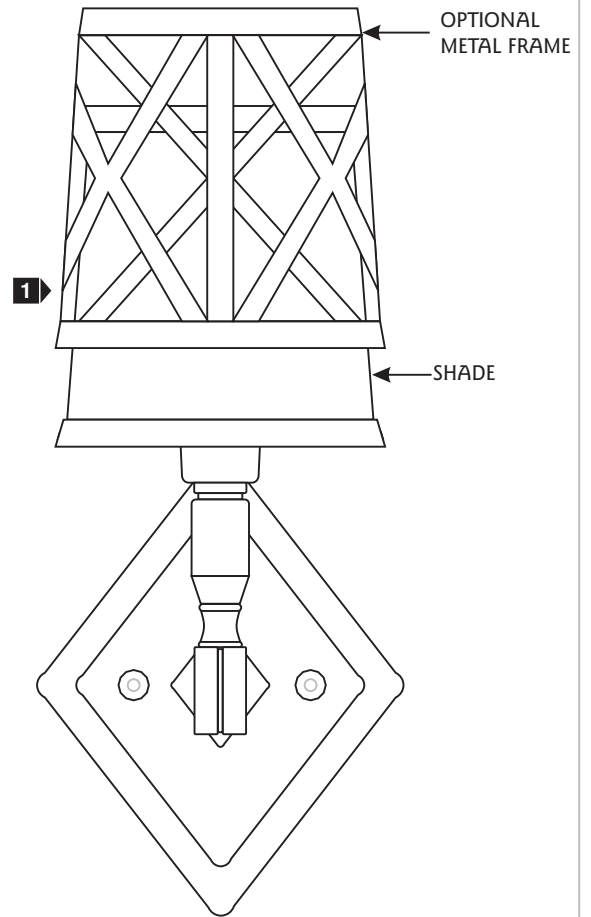
- 2** Push the lamp completely into the socket.

2C



- 3** Align the fabric shade's metal frame center hole to the socket, and secure by tightening the threaded ring to the socket.

3



- 1** Lay the metal frame over the fabric shade.

IMPORTANT SAFETY INSTRUCTIONS

To reduce the risk of fire, electrical shock, exposure to excessive UV radiation, or injury to person:

- Use this fixture indoors only.
- Do not look directly at the lighted lamp.
- Do not remain in light if skin feels warm.
- Risk of fire: Use only the type of lamp and maximum wattage indicated in this instruction manual.
- Never cover the halogen lamp with anything other than a Wilmette Lighting lamp shield and never place flammable material close to your fixture.
- Never turn the fixture on and off by connecting and disconnecting the halogen lamp.
- Do not touch the fixture shades or lamp shield while the fixture is on. These surfaces may be HOT.

Halogen Lamp General Information

- A new halogen lamp may smoke slightly when it is used for the first time. This is perfectly normal; the protective coating is simply being vaporized.

Two Tips For Prolonging Halogen Lamp Life

- First avoid touching the lamp with bare hands during installation. Any contaminant, even the oil from your hands can deteriorate the lamp. Rubbing alcohol can be used to remove any contaminant.
- Second, do not run the lamps at full power when you do not need to. However, if dimming the fixture for an extended period of time, occasionally bring the light up to full brightness for a few minutes to complete the halogen cycle.

SAVE THESE INSTRUCTIONS!



7400 Linder Ave, Skokie, IL 60077
847.410.4400

www.wilmettelighting.com

© 2008 Wilmette Lighting Company. All rights reserved. The "Wilmette Lighting Company" graphic is a registered trademark of Wilmette Lighting Company. Wilmette Lighting Company reserves the right to change specifications for product improvements without notification.

A Generation Brands Company