

Grove Wall

600GRVW

1.0



GENERAL PRODUCT INFORMATION:



This product can mount to either a 4" square electrical box with round plaster ring or an octagon electrical box.

This product is suitable for outdoor wet locations.

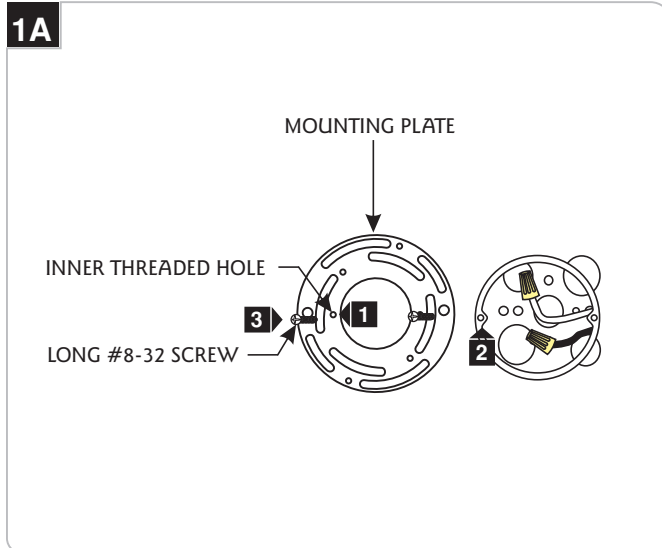
This product can be dimmed with a standard incandescent dimmer.

CAUTION - RISK OF FIRE

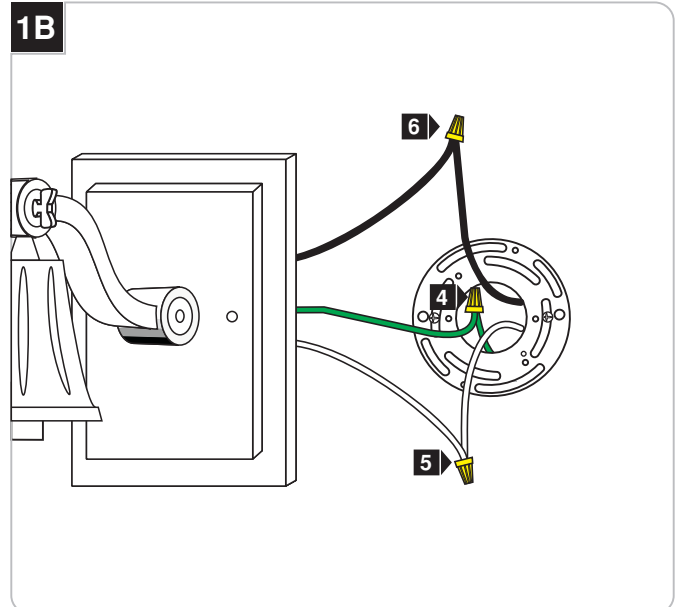
This product requires installation by a qualified electrician. Before installing be sure to read all instructions and **TURN THE POWER TO THE ELECTRICAL BOX OFF.**



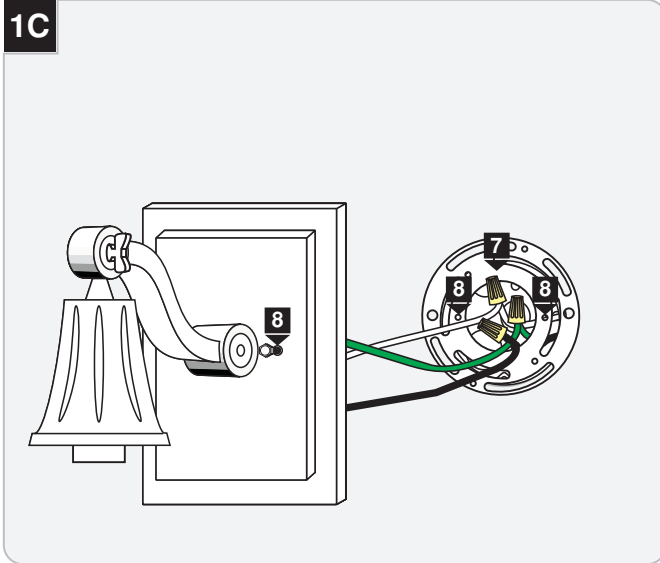
Install the Fixture



- 1** Make sure the two inner threaded holes on the mounting plate are positioned horizontally.
- 2** Line up two mounting plate slots with the two electrical box holes.
- 3** Level the mounting plate horizontally and secure it to the electrical box with the two Long #8-32 screws provided.



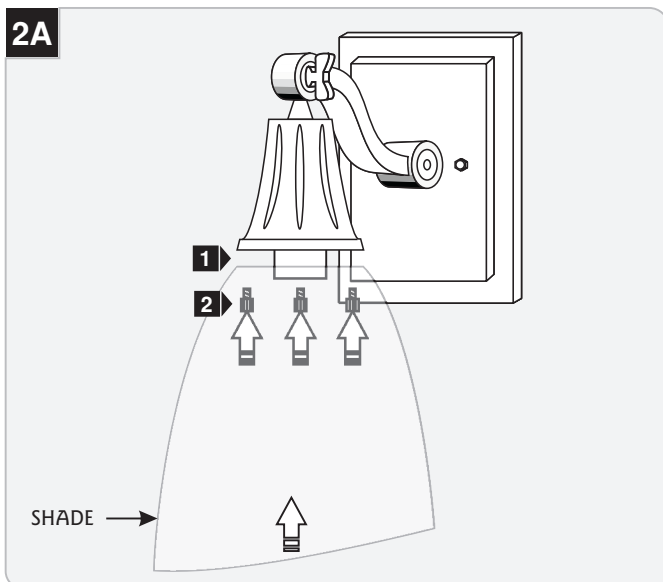
- 4** Connect the green ground wire to a suitable ground in accordance with local electrical codes.
- 5** Connect the neutral 120 volt electrical box wire to the white fixture wire with a wire nut.
- 6** Connect the hot 120 volt electrical box wire to the black fixture wire with a wire nut.



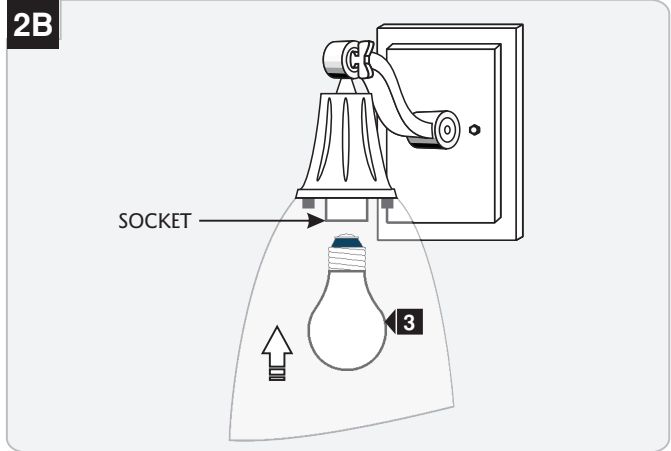
- 7▶ Feed the wires into the electrical box.
- 8▶ Align the sconce base holes with the inner threaded holes on the mounting plate and tighten the two #8-32 acorn-head screws to secure the fixture in place.
- 9▶ For wet location installation, caulk around the fixture canopy with waterproof construction sealant.

NOTE: Only mount the fixture with the shade pointing down, as shown. Do not mount it in any other direction.

Install the Shade & Lamp



- 1▶ Line up the mounting holes in the shade with the threaded holes in the lamp base.
- 2▶ Insert and tighten all 3 thumbscrews to secure the shade. **Do not overtighten!**



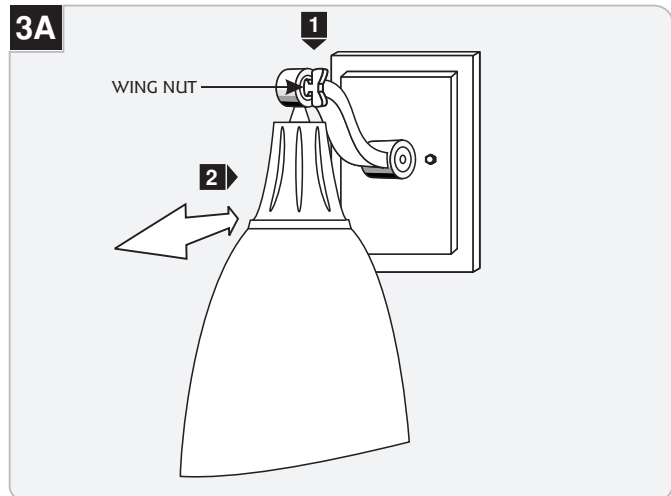
CAUTION: To reduce the risk of a burn or electric shock during relamping, disconnect the power to the fixture.

Use **MAX 100 Watt A19**
Medium Base Incandescent Lamp.



- 3▶ Screw the lamp completely into the socket.

Aim the Shade



- 1▶ Loosen the wing nut.
- 2▶ Aim the lamp by tilting the shade base.
- 3▶ Tighten the wing nut.

SAVE THESE INSTRUCTIONS!

WILMETTE LIGHTING
COMPANY

7400 Linder Ave, Skokie, IL 60077
847.410.4400

www.wilmettelighting.com

© 2008 Wilmette Lighting Company. All rights reserved. The "Wilmette Lighting Company" graphic is a registered trademark of Wilmette Lighting Company. Wilmette Lighting Company reserves the right to change specifications for product improvements without notification.

A Generation Brands Company