

Linden Wall

600LNDW

1.3



GENERAL PRODUCT INFORMATION:



This product can mount to either a 4" square electrical box with round plaster ring or an octagon electrical box.

This product is suitable for damp locations.

This product can be dimmed with a standard incandescent dimmer.

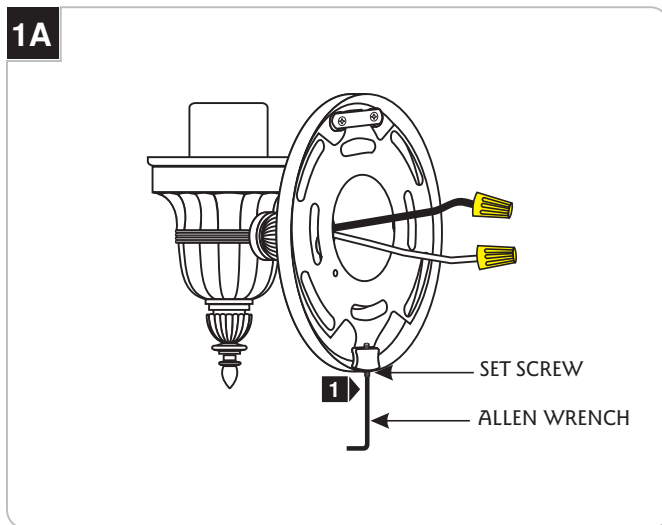
This instruction shows a typical installation.



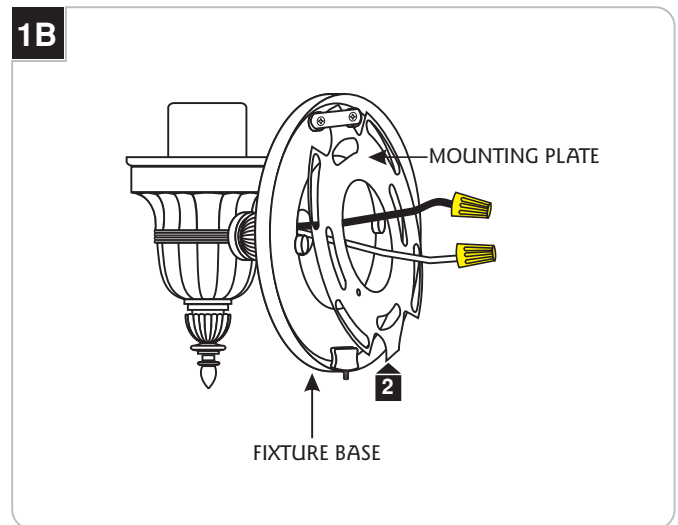
CAUTION - RISK OF FIRE

This product requires installation by a qualified electrician. Before installing be sure to read all instructions and **TURN THE POWER TO THE ELECTRICAL BOX OFF.**

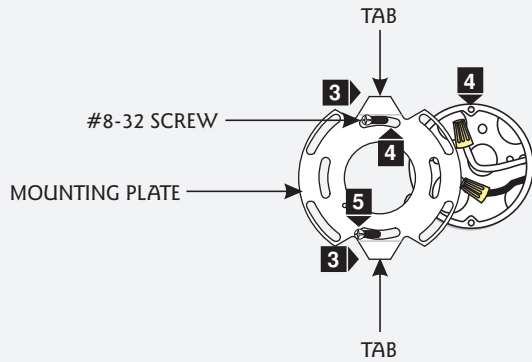
Install the Fixture



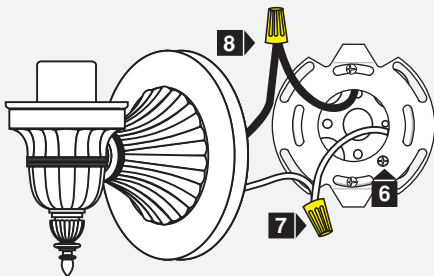
1 With the Allen wrench provided, back out (**Do Not Remove**) the set screw at the base of the sconce.



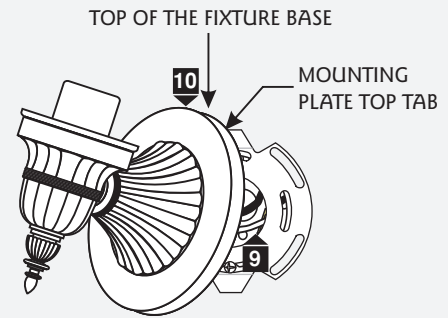
2 Pull out the mounting plate from the fixture base.

1C

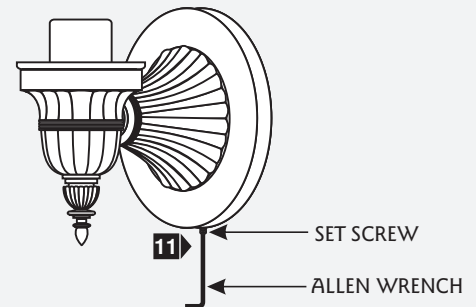
- 3** Make sure the two tabs on the mounting plate are positioned at the top and bottom of the plate.
- 4** Line up two mounting plate slots with the two electrical box holes.
- 5** Level the mounting plate and secure it to the electrical box with the two #8-32 screws provided.

1D

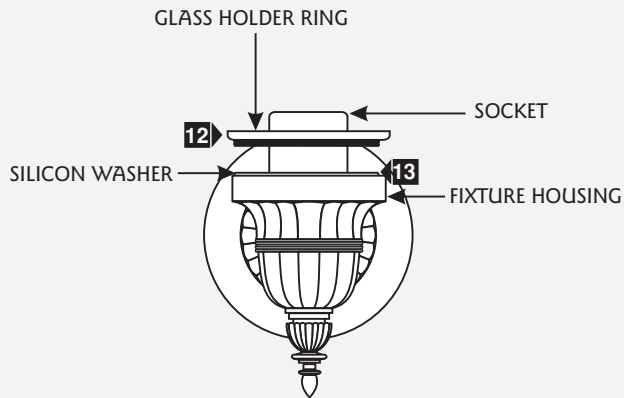
- 6** Ground the mounting plate in accordance with local electrical codes.
- 7** Connect the white fixture wire to the neutral power line wire with a wire nut.
- 8** Connect the black fixture wire to the hot power line wire with a wire nut.

1E

- 9** Place all wires and wire nut connections properly inside the electrical box.
- 10** Hook the top of the fixture base over the mounting plate top tab.

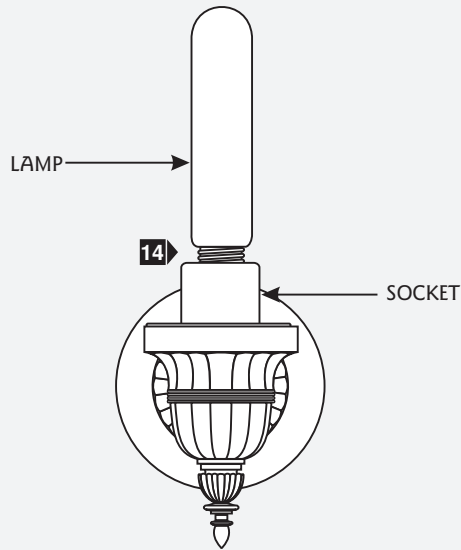
1F

- 11** Line up the fixture on the wall and then secure it to the mounting plate by tightening the set screw at the base of the fixture.

1G

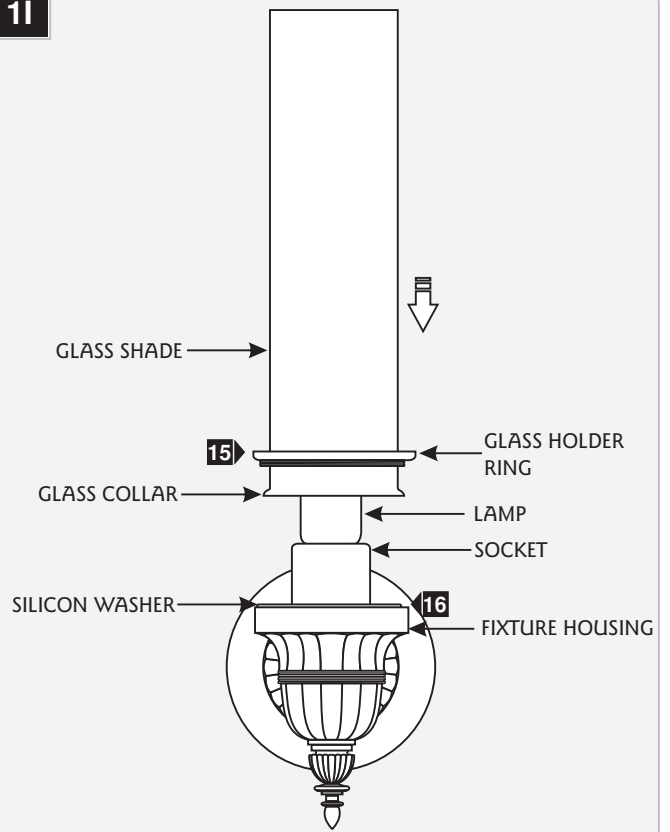
12 ➤ Unscrew and remove the glass holder ring from the fixture housing.

13 ➤ Do not remove the silicon washer.

1H

Use **MAX** 120 Volt, **40** Watt Type T10 Medium Base Lamp.

14 ➤ Screw the lamp completely into the socket.

1I

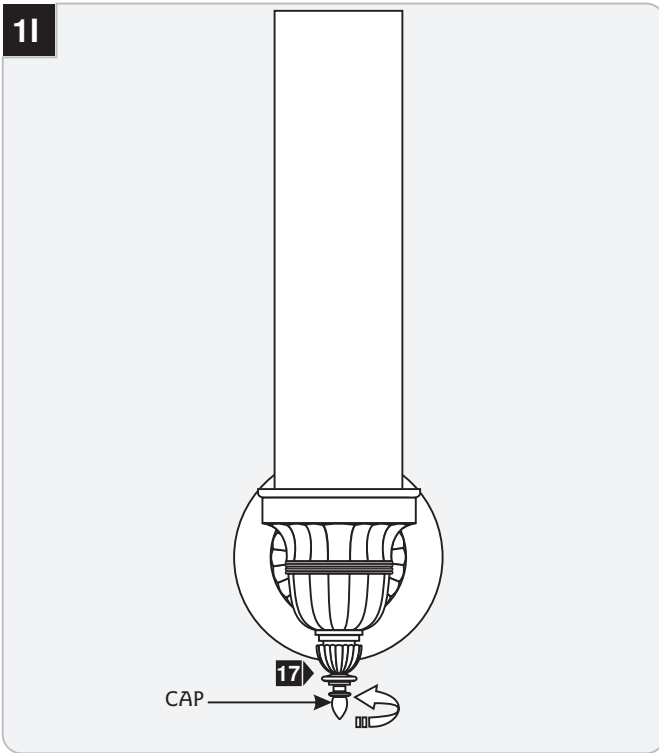
15 ➤ Slide the glass holder ring onto the glass shade.

16 ➤ Screw the glass holder ring completely to the fixture housing to secure the glass shade in place.

NOTE: To Replace the lamp:

- Turn the power to the fixture off.
- While supporting the glass shade unscrew and remove the glass holder ring, and glass shade.
- Remove the old lamp.
- Follow the steps 14 through 16 on this page.

11



17 Use the cap to turn the fixture on/off by rotating it clockwise.

NOTE: Do not rotate the cap counter clockwise which may break the on/off switch.

SAVE THESE INSTRUCTIONS!

W I L M E T T E  L I G H T I N G
C O M P A N Y

7400 Linder Ave, Skokie, IL 60077
847.410.4400

www.wilmettelighting.com

© 2008 Wilmette Lighting Company. All rights reserved. The "Wilmette Lighting Company" graphic is a registered trademark of Wilmette Lighting Company. Wilmette Lighting Company reserves the right to change specifications for product improvements without notification.

A Generation Brands Company