

Surface Canopy

800MPSF4_

1.7

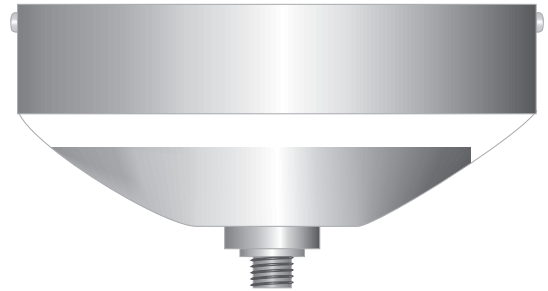


GENERAL PRODUCT INFORMATION:

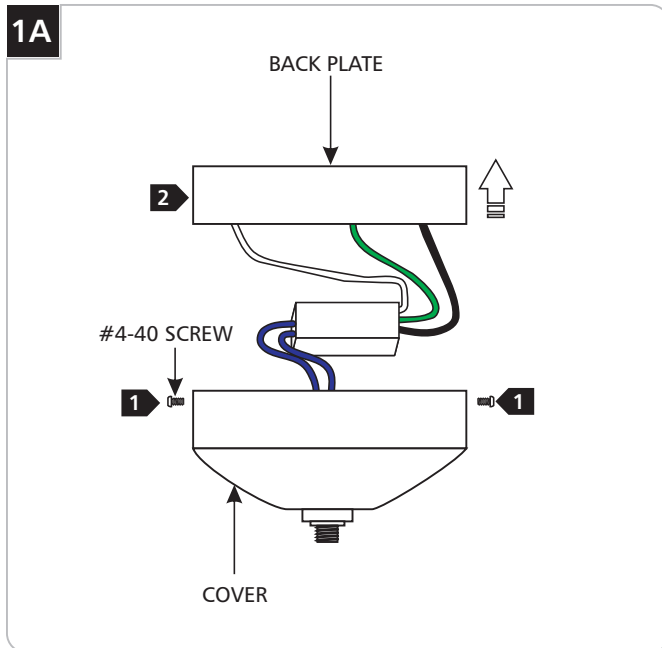


This product is suitable for indoor dry locations only.

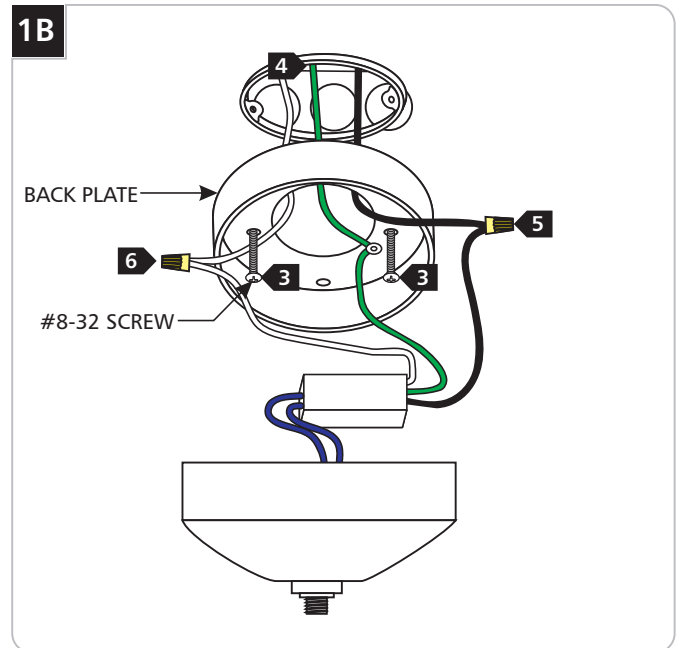
This product must be used with Tiella lighting system only.



Install the MonoPoint Canopy

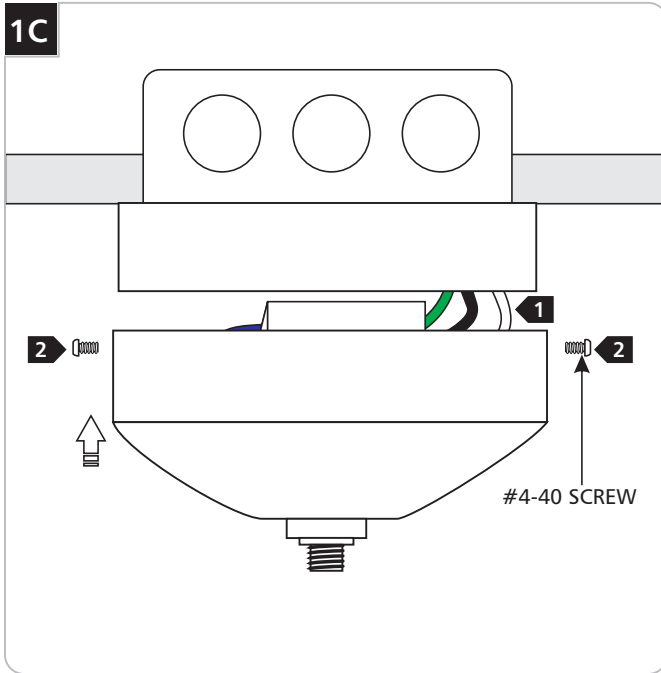


- 1** Remove the two #4-40 screws on side of the canopy with a Phillips screwdriver.
- 2** Lift the back plate from the cover.

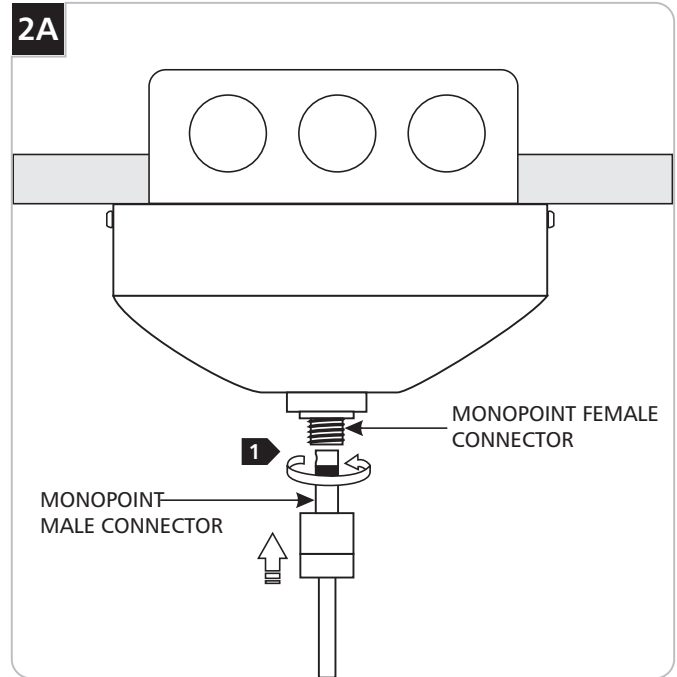


- 3** Mount the back plate to the electrical box with the two #8-32 screws.
- 4** Connect the ground wire in accordance with local electrical codes.
- 5** Connect the black transformer wire to the hot power line wire with a wire nut.
- 6** Connect the white transformer wire to the neutral power line wire with a wire nut.

Connect the Fixture to MonoPoint Canopy



- 1 Place all wires and wire nut connections inside the back plate.
- 2 Replace the cover and secure it to the back plate with the two #4-40 screws.



- 1 Push the fixture MonoPoint male connector all the way into the surface canopy MonoPoint female connector. Tighten the male connector.

SAVE THESE INSTRUCTIONS!

tiella[™]
real light, real simple

7400 Linder Ave, Skokie, IL 60077
847.410.4400

www.tiella.com

© 2008 Tech Lighting, L.L.C. All rights reserved. The "tiella" graphic is a registered trademark of tiella. tiella reserves the right to change specifications for product improvements without notification.

A Generation Brands Company