

tiellaTM
SPECIAL INSTALLATIONS

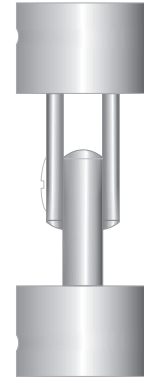
GENERAL PRODUCT INFORMATION:



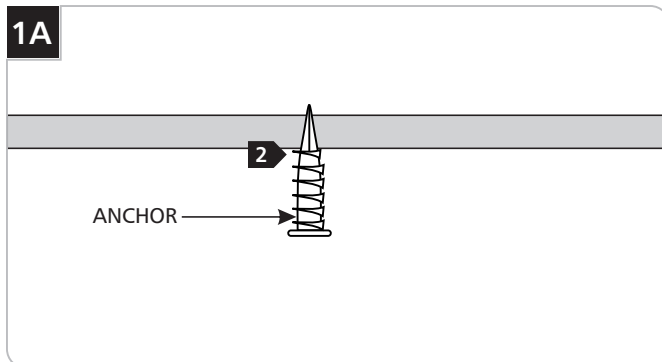
This product is suitable for indoor dry locations only.

This product must be used with Tiella lighting system only.

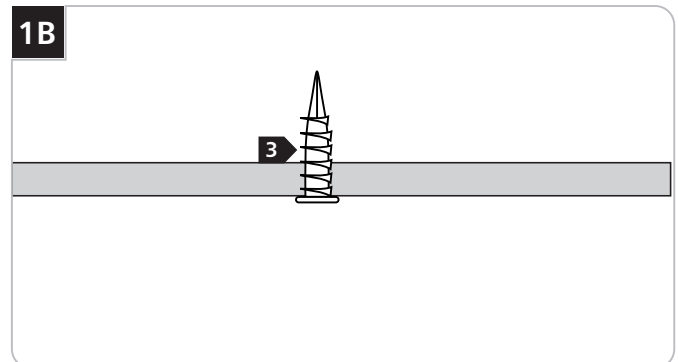
NOTE: The standoff vault adapter must be used in conjunction with the power vault adapter.



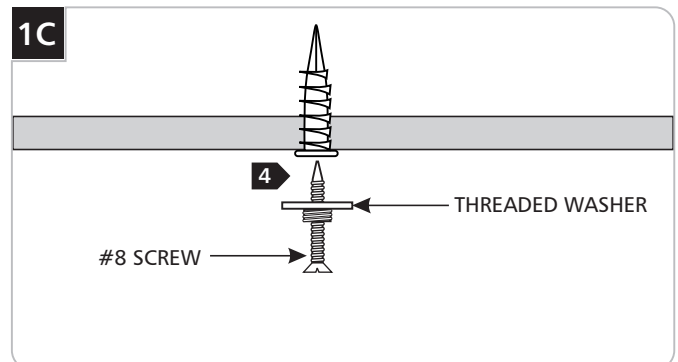
Installing the Standoff Hardware



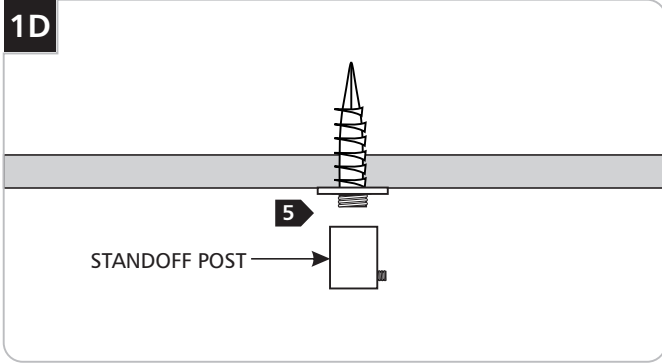
- 1** Select the location on the vaulted ceiling where the standoffs are to be mounted.
- 2** With a hammer tap the anchor (provided with the standoff) at the marked point into the ceiling up to the threaded portion.



- 3** Screw the anchor in the rest of the way with a Phillips screwdriver.



- 4** Screw the #8 screw through the threaded washer into the anchor (provided with the standoff).

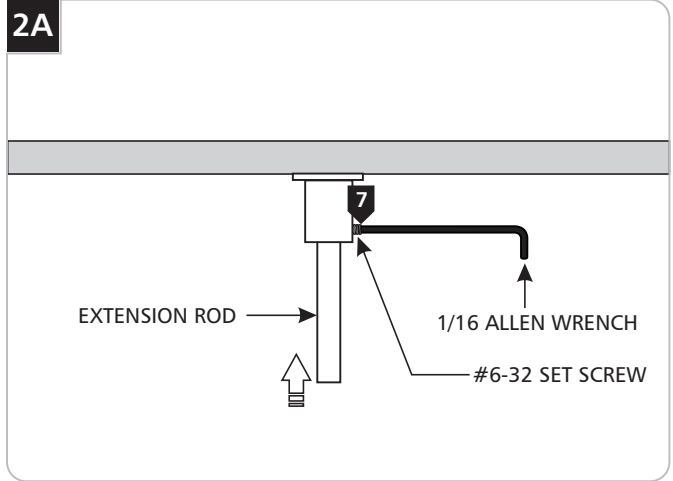


5 Screw the standoff post onto the threaded washer (provided with the standoff or standoff vault adapter).

Install the Standoff Vault Adapter

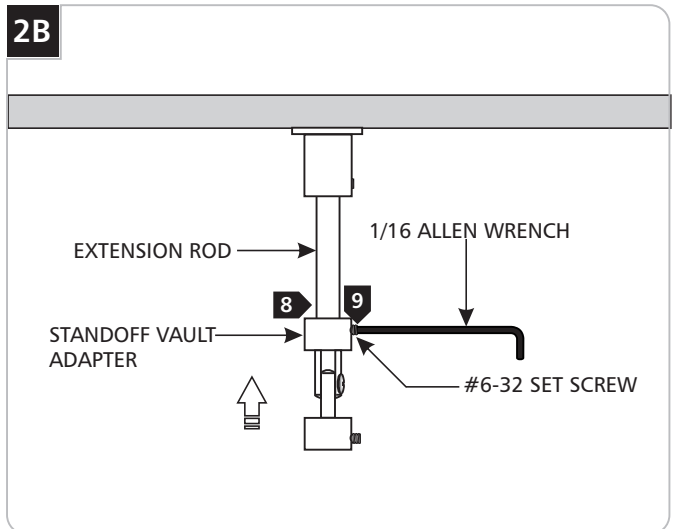
NOTE: Standoff vault adapter comes with 5 extension rods as shown in the chart below.

TO BE USED WITH	EXTENSION ROD SIZE
Single or Dual Power Feed Canopy	5/8"
Electronic Surface Mount 150W Transformer	2-3/8"
Magnetic Surface Mount 150W Transformer	2-7/8"
Magnetic Surface Mount 300W Transformer	3-5/8"
Magnetic Surface Mount 600W Transformer	4-3/4"



6 Use the chart to select the proper extension rod.

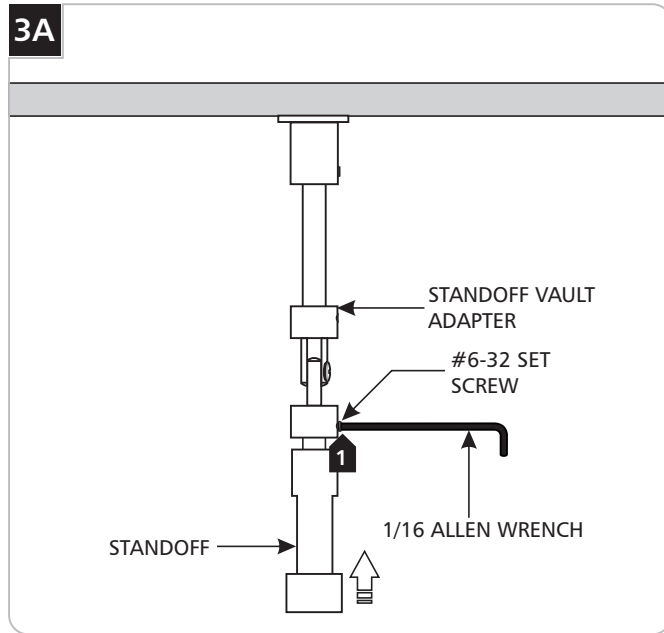
7 Push the extension rod all the way into the standoff post and tighten the #6-32 set screw with the provided 1/16 Allen wrench.



8 Push the standoff vault adapter all the way onto the extension rod.

9 Align the standoff vault adapter and tighten the #6-32 set screw with the 1/16 Allen wrench.

When Standoff Vault Adapter is Used in Conjunction With A Power Feed Canopy (Rigid Standoff Option)

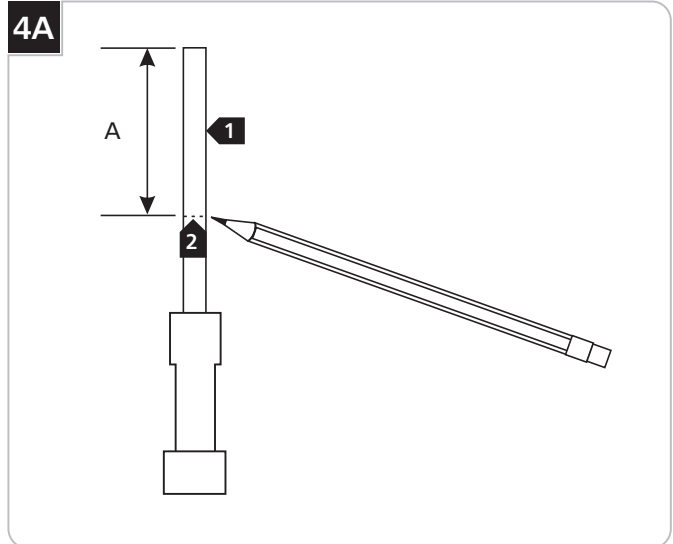


- 1 Push the standoff rod all the way into the standoff vault adapter and tighten the #6-32 set screw with the 1/16 Allen wrench.
- 2 Refer to the instructions provided with the standoff to complete the installation.

When Standoff Vault Adapter is Used in Conjunction With A Surface Mount Transformer (Rigid Standoff Option)

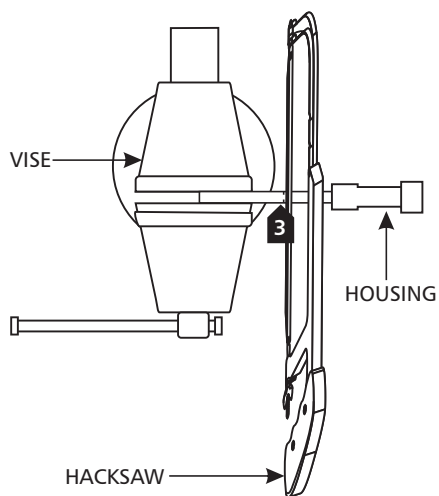
NOTE: When the standoff vault adapter is used in conjunction with a surface mount transformer without the power extender, the corresponding standoff rod needs to be resized. The chart below shows the amount (A) that needs to be cut from standoff rod.

SURFACE MOUNT TRANSFORMER	STANDOFF PROVIDED	AMOUNT TO BE CUT (A)
Electronic Surface Mount 150W Transformer	3"	1-3/4"
Magnetic Surface Mount 150W Transformer	3"	2-3/16"
Magnetic Surface Mount 300W Transformer	4"	2-15/16"
Magnetic Surface Mount 600W Transformer	5"	4-1/8"



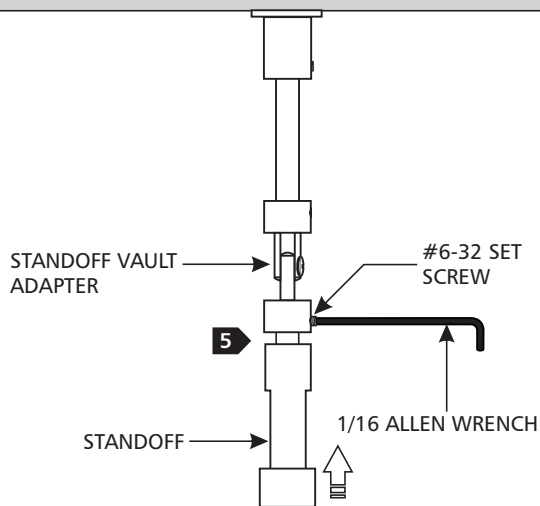
- 1 Refer to the chart above to determine the amount (A) that needs to be cut from the standoff rod.
- 2 From the end of the standoff mark that amount (A).

4B



- 3 Put the end of the standoff rod into a vise (**never put the housing in the vise**) and use a hacksaw or pipe cutter to cut the excess amount (A) from the rod.
- 4 File and clean the burrs inside and outside of the cut section of the standoff rod.

4C



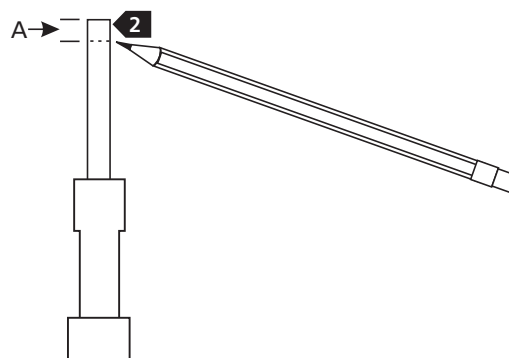
- 5 Push the standoff rod all the way into the standoff vault adapter and tighten the #6-32 set screw with the 1/16 Allen wrench.
- 6 Refer to the instructions provided with the standoff to install the rail to the standoff.

When Standoff Vault Adapter is Used in Conjunction With a Power Extender and a Power Feed Canopy or a Surface Mount Transformer (Rigid Standoff Option)

NOTE: When the standoff vault adapter is used in conjunction with a power feed canopy or surface mount transformer and the power extender, the corresponding standoff rod needs to be resized. The chart below shows the amount (A) that needs to be cut from the standoff rod.

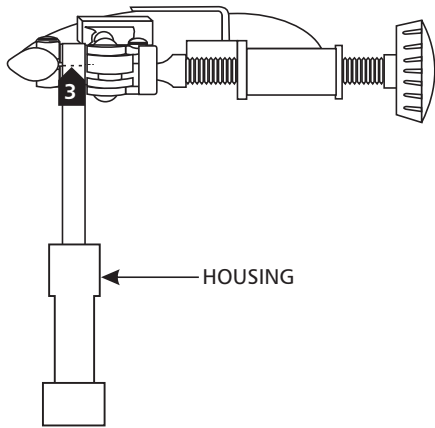
POWER FEED CANOPY OR SURFACE MOUNT TRANSFORMER	AMOUNT TO BE CUT (A)
Single Feed Power Feed Canopy	5/8"
Dual Feed Power Feed Canopy	5/8"
Electronic Surface Mount 150W Transformer	1/8"
Magnetic Surface Mount 150W Transformer	5/8"
Magnetic Surface Mount 300W Transformer	5/8"
Magnetic Surface Mount 600W Transformer	5/8"

5A



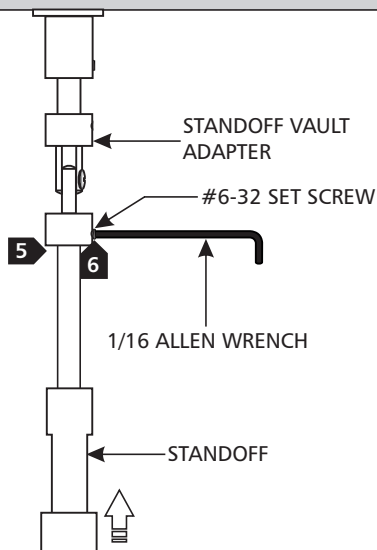
- 1 Refer to the chart above to determine the amount (A) that needs to be cut from the standoff rod.
- 2 From the end of the standoff mark that amount (A).

5B



- 3 With a pipe cutter or a hacksaw cut the excess amount (A). Never put the housing into the vise.
- 4 File and clean the burrs inside and outside of the cut section.

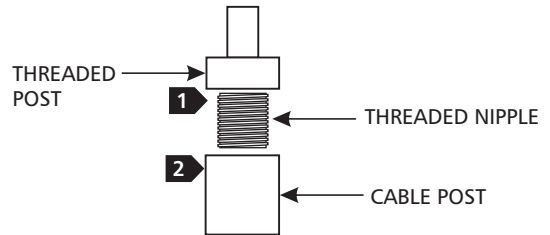
5C



- 5 Push the standoff rod all the way into the standoff vault adapter and tighten the #6-32 set screw with the 1/16 Allen wrench.
- 6 Refer to the instructions provided with the standoff to complete the installation.

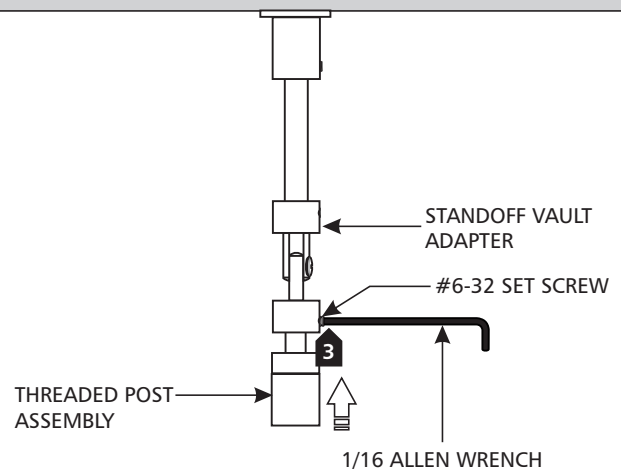
When Standoff Vault Adapter is Used in Conjunction With a Power Extender and a Power Feed Canopy or a Surface Mount Transformer (Adjustable Standoff Option)

6A



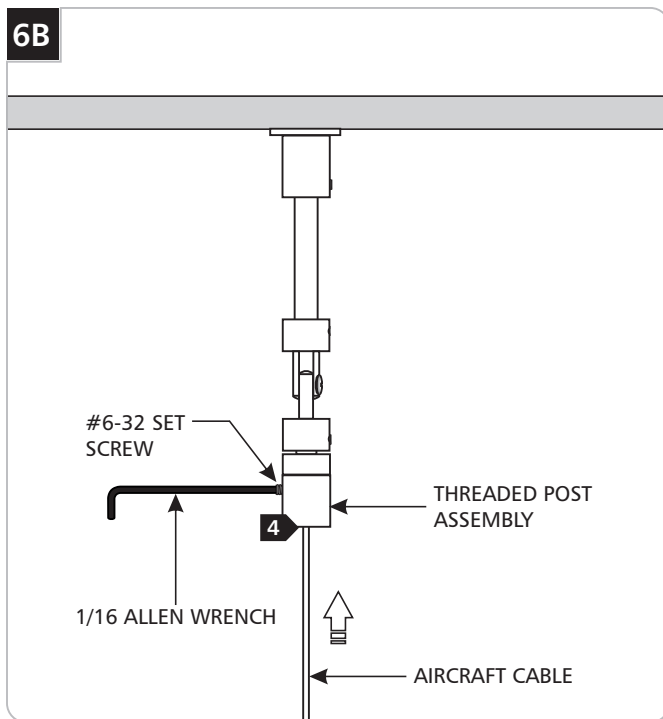
- 1 Screw the threaded nipple (provided with the standoff vault adapter) to the cable post (provided with the adjustable standoff).
- 2 Screw the threaded post (provided with the adjustable standoff) to the threaded nipple.

6B



- 3 Push the threaded post assembly all the way into the standoff vault adapter and tighten the #6-32 set screw with the 1/16 Allen wrench.

6B



- 4 Feed the aircraft cable into the threaded post assembly and tighten the #6-32 set screw with the 1/16 Allen wrench.
- 5 Refer to the instructions provided with the adjustable standoff to complete the installation.

SAVE THESE INSTRUCTIONS!

tiella[™]
real light, real simple

7400 Linder Ave, Skokie, IL 60077
847.410.4400

www.tiella.com

© 2008 Tech Lighting, L.L.C. All rights reserved. The "tiella" graphic is a registered trademark of tiella. tiella reserves the right to change specifications for product improvements without notification.

A Generation Brands Company