

Single Feed 300W Magnetic Surface Transformer

800RLSRT30DS

1.9

tiella™

SURFACE TRANSFORMERS

GENERAL PRODUCT INFORMATION:



This product is ETL listed and suitable only for indoor dry locations and approved for use at any height above the finished floor.

A typical installation is shown. Specific installation must be in accordance with local electrical codes.

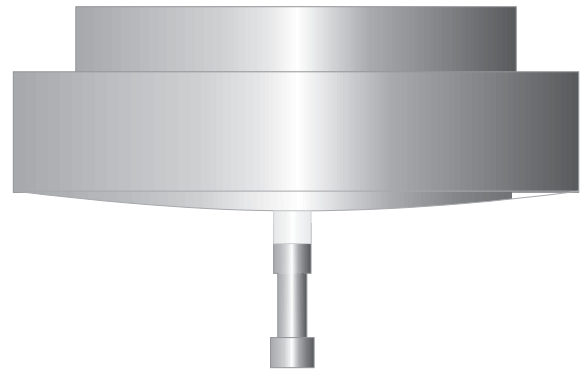
This product is suitable for dry locations only.

This product contains a built-in dimming coil.

This product may be dimmed only with a low voltage magnetic dimmer. Using a dimmer not designed for low voltage magnetic applications may work initially, but will eventually cause transformer failure and will void the warranty. The dimmer must be derated as indicated by the dimmer manufacturer.

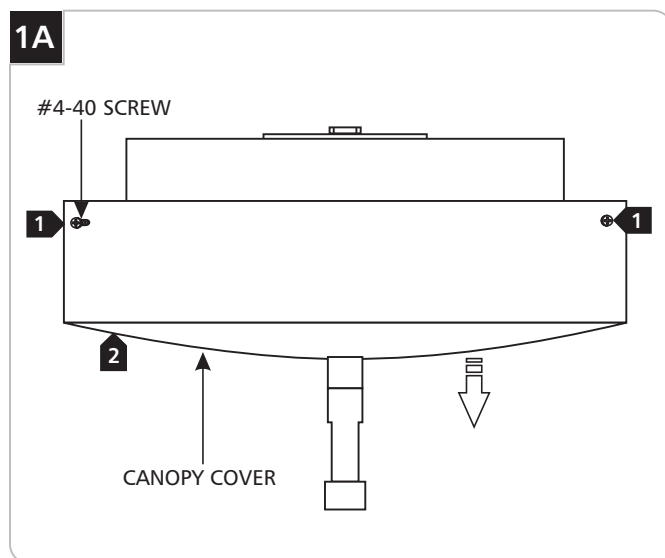
This product is intended for use with Tiella low voltage lighting systems only.

Read all instructions thoroughly. Read "Important Safety Information" on page 4 before proceeding with the installation.

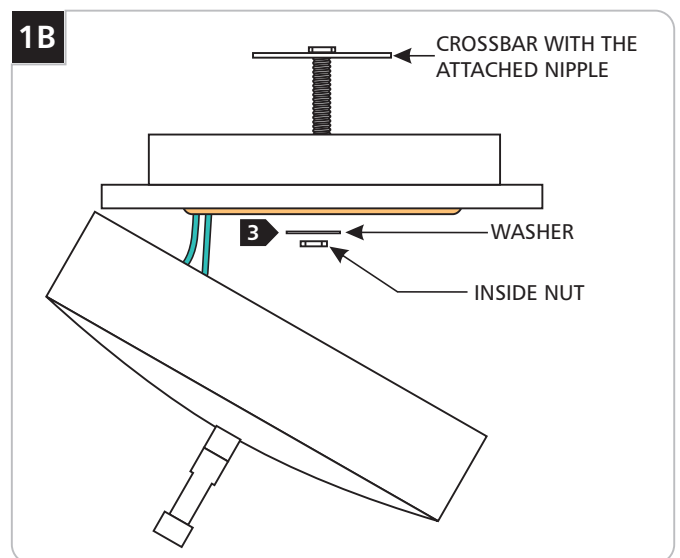


CAUTION—RISK OF FIRE
 This product requires installation by a qualified electrician. Before installing be sure to read all instructions and **TURN THE POWER TO THE ELECTRICAL BOX OFF.**

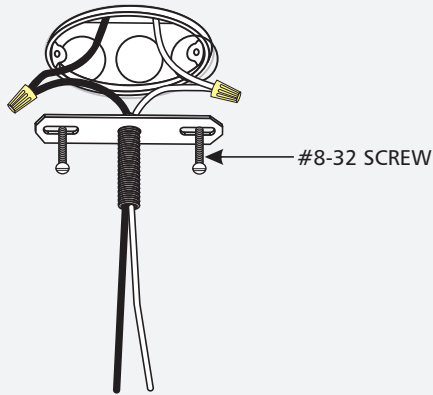
Install the Transformer



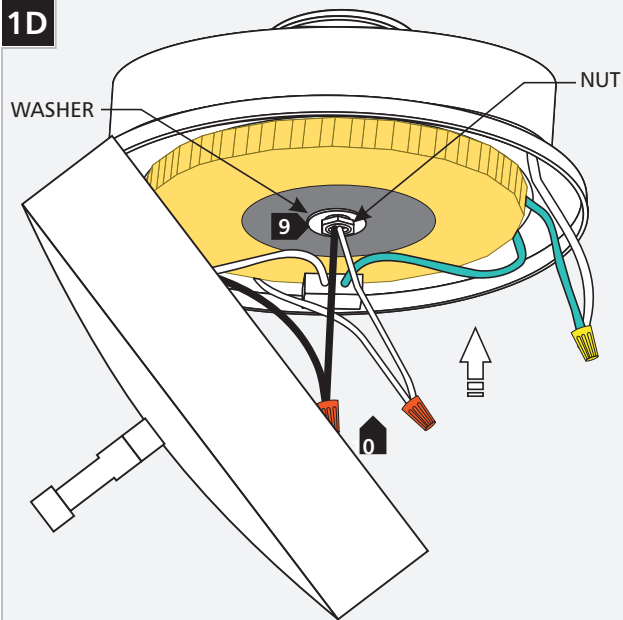
- 1** On the side of the transformer canopy cover, remove the #4-40 screws with a Phillips head screwdriver.
- 2** Lift the canopy cover off of the transformer housing.



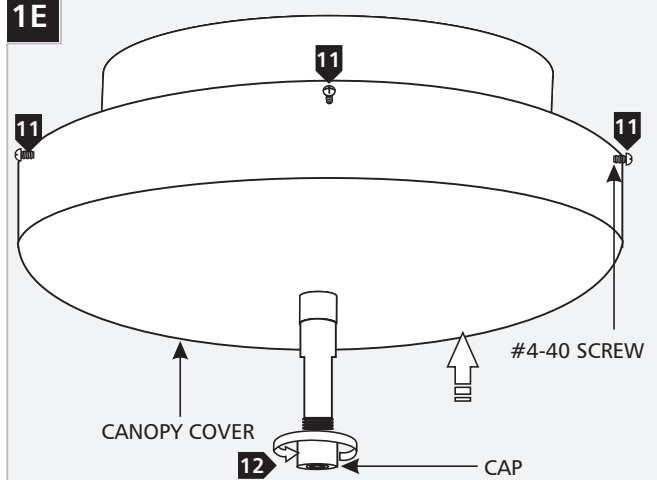
- 3** Remove the inside nut and washer to remove the crossbar with the attached nipple. **DO NOT REMOVE** the nipple from the crossbar.

1C

- 4 Connect the provided white and black extension wires to the neutral and hot power line wires respectively with wire nuts.
- 5 Feed the wires through the nipple.
- 6 Place all wires and wire nut connections inside the electrical box.
- 7 Mount the crossbar with the attached nipple to the electrical box with provided #8-32 screws.

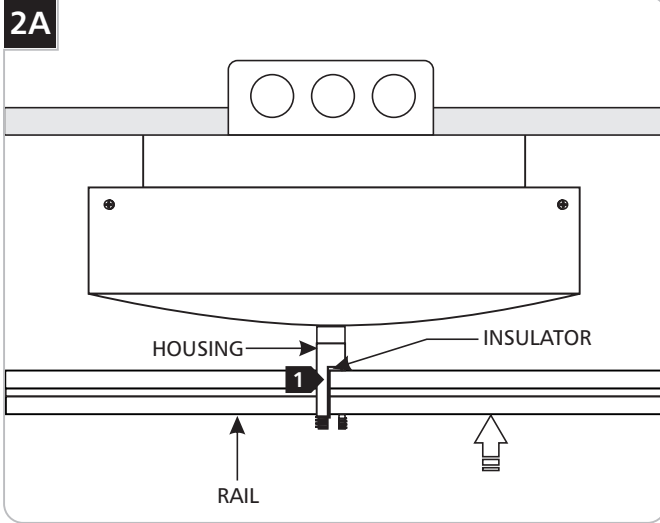
1D

- 8 Connect the ground wire in accordance with local electrical codes.
- 9 Slip the transformer housing and the washer onto the nipple and tighten the inside nut to secure the transformer housing.
- 10 Connect the black and white extension wires to the black and white transformer wires respectively with wire nuts.

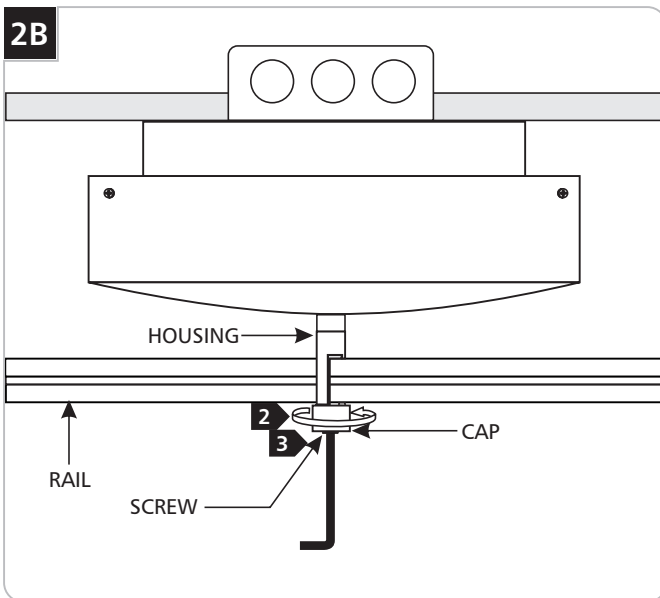
1E

- 11 Replace the canopy cover onto the transformer housing. Line up the canopy cover holes with the transformer housing holes. Replace and tighten the #4-40 screws.
- 12 Remove the cap.

Mount the Rails Directly to the Transformer



- 1 Push the rail into the housing so that the rail fits in the middle of the insulator.

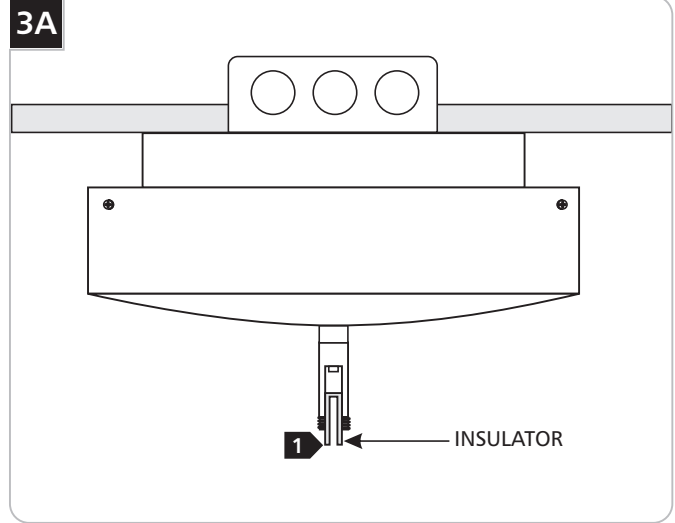


- 2 Replace and tighten the cap to the housing.

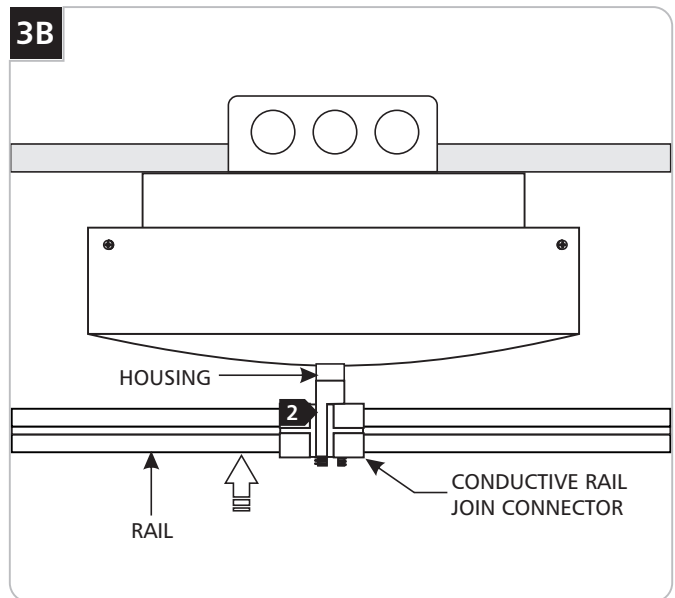
NOTE: In case of cross threading, unscrew the cap from the housing and repeat step 2.

- 3 Tighten the screw on the bottom of the cap with the 3/16 Allen wrench.

SPECIAL INSTALLATION: Mount the Conductive Rail Join Connector to the Transformer

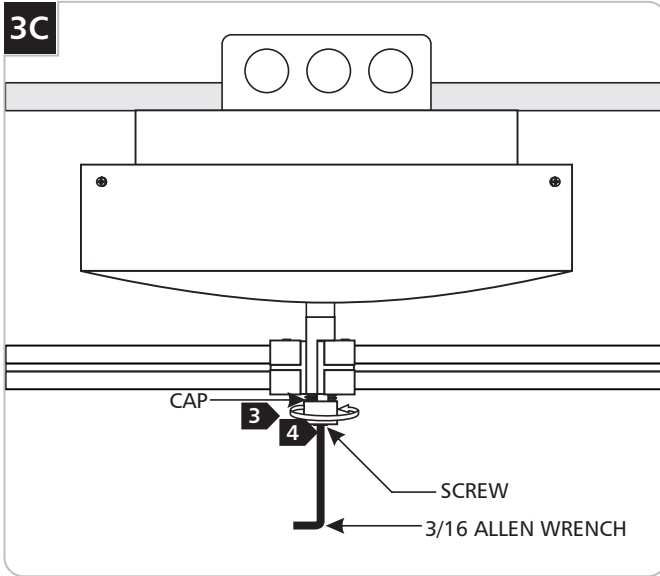


- 1 Remove the insulator.



- 2 Push the conductive rail join connector into the housing.

Important Safety Information



- 3 Replace and tighten the cap to the housing.

NOTE: In case of cross threading, unscrew the cap from the housing and repeat step 3.

- 4 Tighten the screw on the bottom of the cap with the 3/16 Allen wrench.

SAVE THESE INSTRUCTIONS!

Do not conceal or extend bus bar conductors through a building wall.

Do not install this lighting system in a damp or wet location.

To reduce the risk of fire and burns, do not install this lighting system where the uninsulated open bus bar conductors can be shorted or contact any conductive materials.

To reduce the risk of the system overheating and possibly causing a fire, make sure all the connections are tight.

Do not install fixture assemblies closer than six inches to curtains or similarly combustible materials.

Turn the electrical power off before modifying the lighting system in any way.

Only fixtures approved for use with this system may be installed.

Minimum volume of the electrical box must be 6 cubic inches (98 cubic centimeter).

The system is "ETL" listed for USA and Canada only when all the products used are supplied by Tiella.

Load the circuit of the transformer to no more than the maximum rated capacity as specified.

tiella™
real light, real simple

7400 Linder Ave, Skokie, IL 60077
847.410.4400

www.tiella.com

© 2008 Tech Lighting, L.L.C. All rights reserved. The "tiella" graphic is a registered trademark of tiella. tiella reserves the right to change specifications for product improvements without notification.

A Generation Brands Company