

T-Bar Connector

800RLTBAR_

1.8

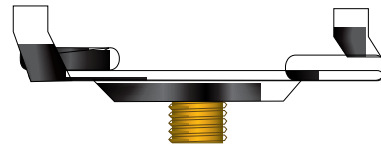


GENERAL PRODUCT INFORMATION:

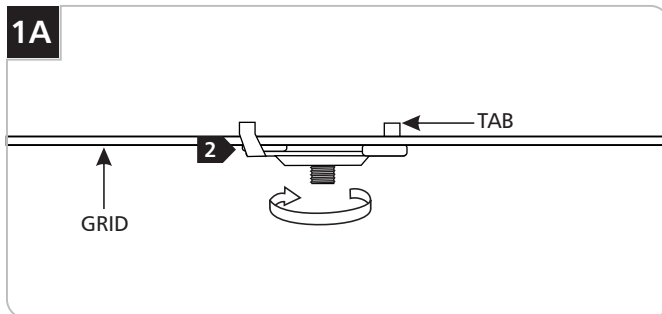


This product is used with rigid and adjustable tiella standoffs.

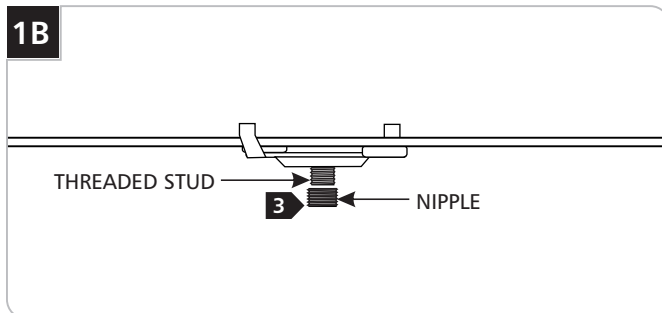
This product is suitable for indoor dry locations only.



Install the T-Bar Connector

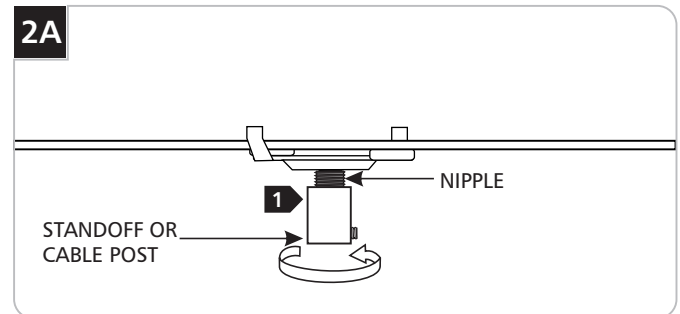


- 1** Select the locations on the grids where the standoffs will be mounted.
- 2** Push the T-bar connector flat section against the grid. Rotate the T-bar connector until the tabs on the T-bar connector lock behind the grid.



- 3** Screw the threaded nipple onto the T-bar threaded stud.

Install the Rigid or Adjustable Standoff



- 1** Screw the standoff post (provided with the rigid standoff) or the cable post (provided with the adjustable standoff) onto the nipple.
- 2** Refer to the instructions provided with the rigid or adjustable standoff to complete the installation.

SAVE THESE INSTRUCTIONS!



7400 Linder Ave, Skokie, IL 60077

847.410.4400

www.tiella.com

© 2008 Tech Lighting, L.L.C. All rights reserved. The "tiella" graphic is a registered trademark of tiella. tiella reserves the right to change specifications for product improvements without notification.

A Generation Brands Company