



SOLA PACK

Installing Your Tiella Sola Pack

READ THIS:

1. This product must be used with Tiella Terra Rail Kit only.
2. Use maximum 12 Volt, 20 Watt, MR16 lamp on this system.
3. Make sure all connections are very tight.
4. These instructions show a typical rail system installation.

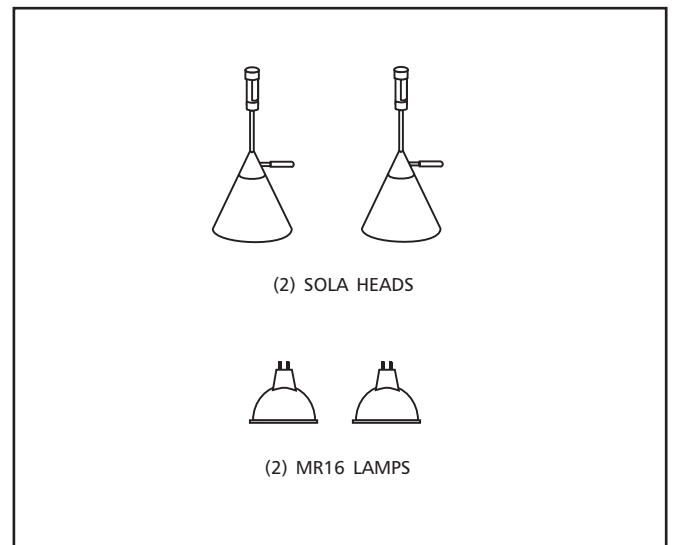
tiellaTM
real light, real simple
A Brand of **TECH** Lighting[®]

Table of Contents

1. Take Inventory	2
2. Install the Heads	3
3. Check for Loose Connections	4
4. Important Safety Instructions	4

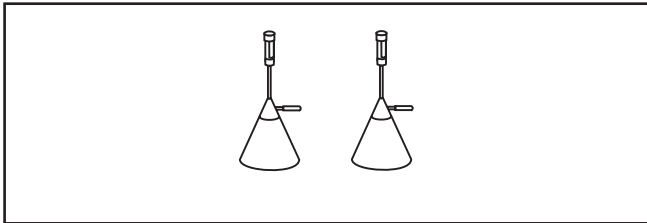
1. Take Inventory

- Unpack the box containing (2) Sola Heads, and (2) 20 watt 12 volt MR16 Lamps.



2. Install the Heads

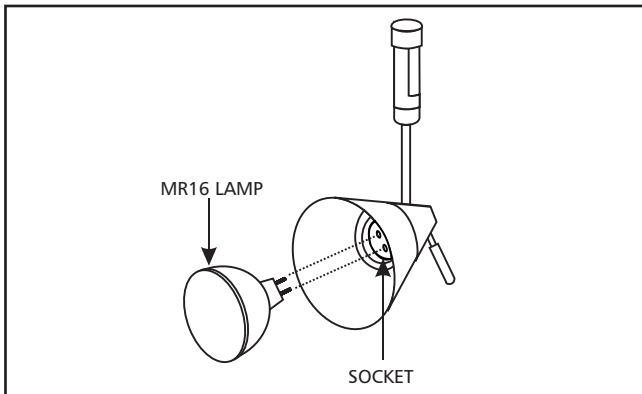
- Locate the two Heads.



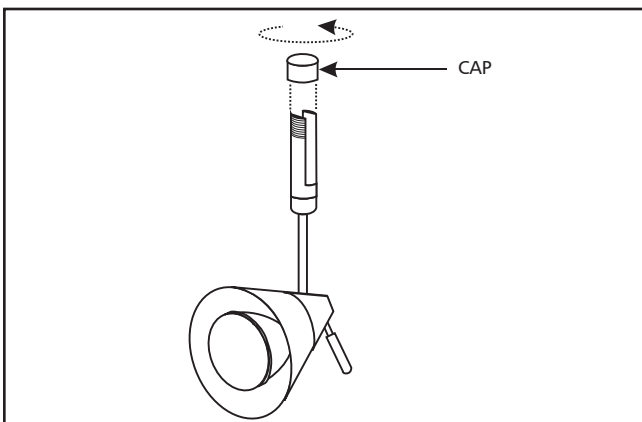
USE MAXIMUM OF 12 VOLT, 20 WATT, MR16 FRONT COVER HALOGEN LAMP.



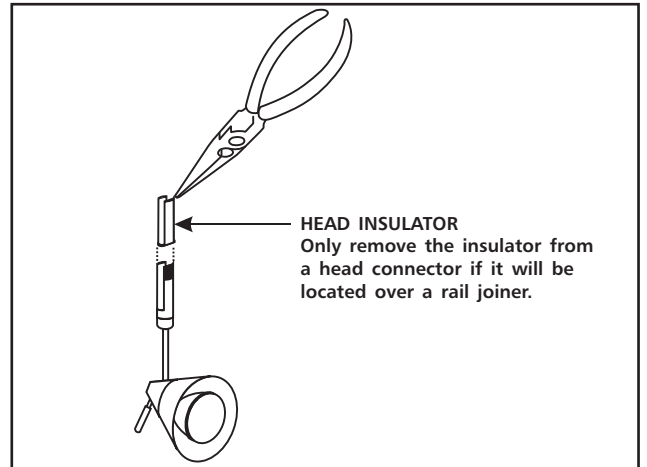
- Insert the pins of the lamp into the holes of the socket.



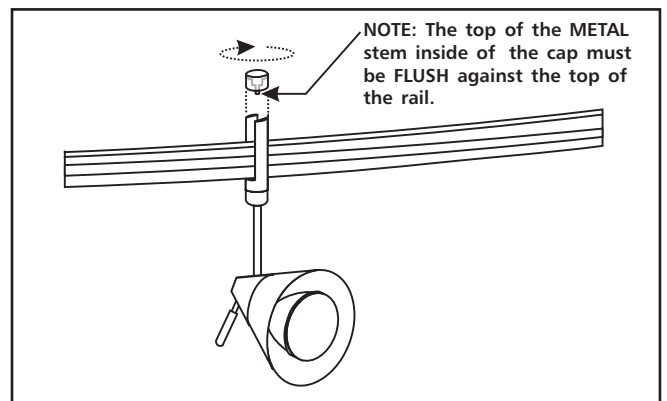
- Remove the cap from each of the heads.



- Determine the location of the Heads. For best results, heads should be placed over any unoccupied rail connectors.
- If a head location falls directly over the joiner, remove the plastic insulator from the inside of the head; otherwise, skip this step.

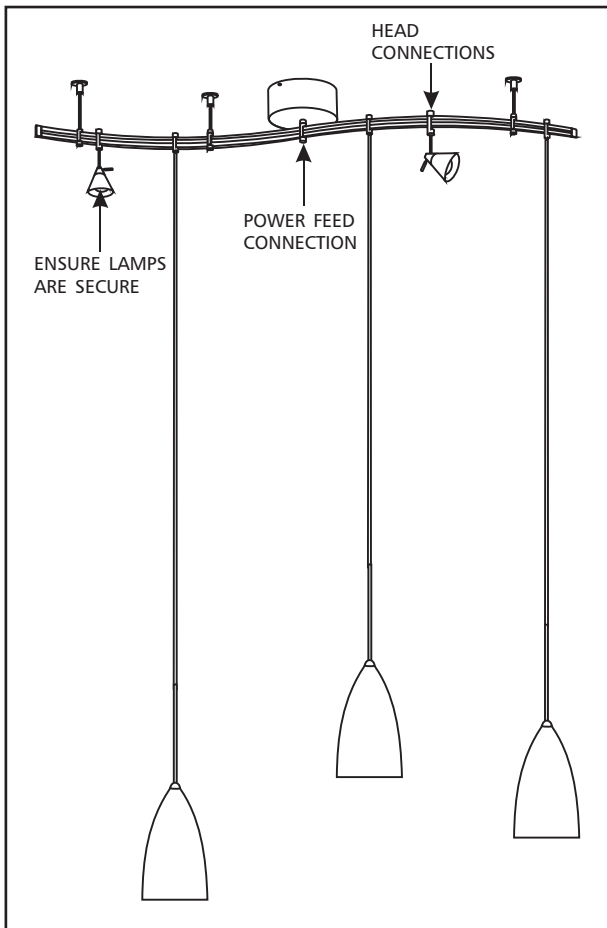


- Slide the head onto the rail and screw the cap to the connector. **The connection must be flush with the rail and tight.** Repeat this step for the other head.



3. Check for Loose Connections

- Turn the power to electrical box on.
- Turn on the system and let it run for 5 minutes. Turn the system off and carefully check all connection points are not hot to the touch (warm is acceptable). If a connection is hot, be sure to firmly tighten the connections.



NOTE
 It is normal for the halogen lamps to generate heat.

4. Important Safety Instructions

To reduce the risk of fire, electric shock, exposure to excessive UV radiation, or injury to person:

- Read all instructions.
- Use only Maximum 12 Volt, 20 Watt type MR16 lamps. Using lamps with higher wattage could permanently damage the transformer.
- Do not install this lighting system in a damp or wet location.
- Hot Surface. Do not install any fixture assembly closer than 6 inches from any curtain, or similar combustible material.
- Turn off the electrical power before modifying the lighting system in any way.
- To reduce the risk of overheating and potential fire, make sure all connections are tight.

CAUTION - To Reduce The Risk Of Fire Do Not Use Lamps Identified For Use In Enclosed Fixtures.

CAUTION - Indoor Use Only.

CAUTION - All Fixtures Using An MR16 Lamp Having An Integral Outer Glass Envelope Must Use A Shielded Type Lamp.

CAUTION - To Reduce The Risk Of A Burn During Relamping, Disconnect Power To The Fixture.

CAUTION - Risk Of Fire. The Bare Conductors Shall Be Installed A Minimum 7 feet From The Ground.

CAUTION - Risk Of Burn. Lamps Must Be Installed A Minimum 6 Inches From The Ceiling Or Curtains.

CAUTION - Risk Of Burn. Before energizing, make sure that the light system is clear of all materials which could cause a direct short and check all electrical connections to make sure they are tight.

SAVE THESE INSTRUCTIONS.