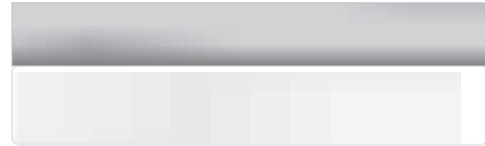


tiella
FLUSH MOUNT



GENERAL PRODUCT INFORMATION:



This product can mount to either a 4" square electrical box with round plaster ring or an octagon electrical box.

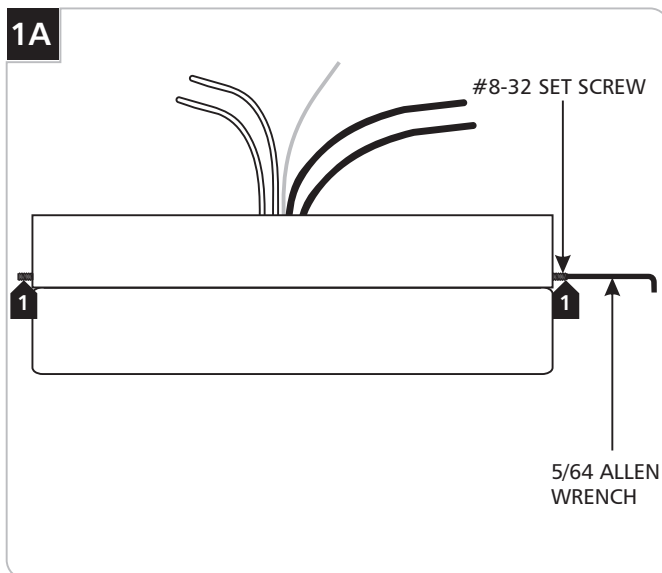
This product is suitable for indoor dry locations only.

This product can be dimmed with a standard incandescent dimmer.

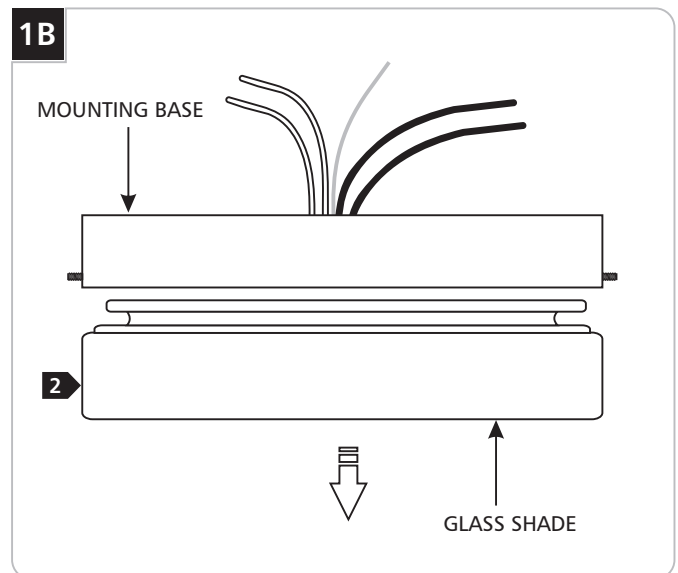
This product is "CEILING MOUNT ONLY".

CAUTION — RISK OF FIRE
This product requires installation by a qualified electrician. Before installing be sure to read all instructions and **TURN THE POWER TO THE ELECTRICAL BOX OFF.**

Install the Fixture

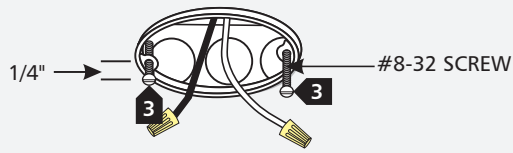


1 Back out (**DO NOT REMOVE**) the two #8-32 set screws for 1/4" with the 5/64 Allen wrench.



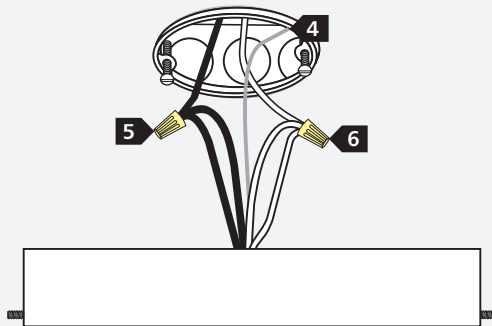
2 Carefully pull out the glass shade from the mounting base.

1C



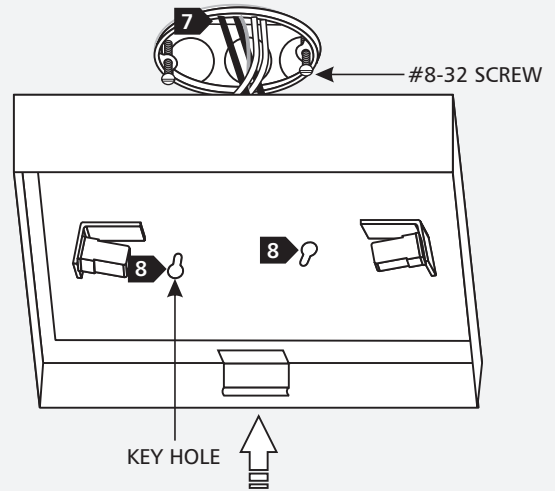
- 3 Thread (NOT COMPLETELY) the two #8-32 screws into the electrical box holes leaving 1/4" of them exposed.

1D



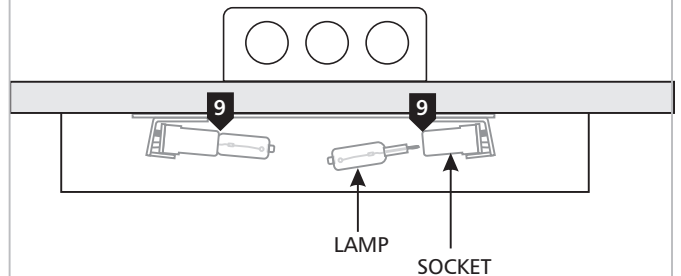
- 4 In accordance with local electrical codes, ground the fixture bare wire.
- 5 Connect the two fixture black wires to the power line hot wire with a wire nut.
- 6 Connect the two fixture white wires to the power line neutral wire with a wire nut.

1E



- 7 Place all wires and wire nut connections into the electrical box.
- 8 Using the key holes, hook the mounting base onto the #8-32 screws. Tighten the #8-32 screws.

1F



CAUTION: To reduce the risk of a burn or electric shock during relamping, disconnect the power to the fixture.

NOTE: The G9 lamp has an integral glass envelope and is thus safe to be used without a lamp shield.

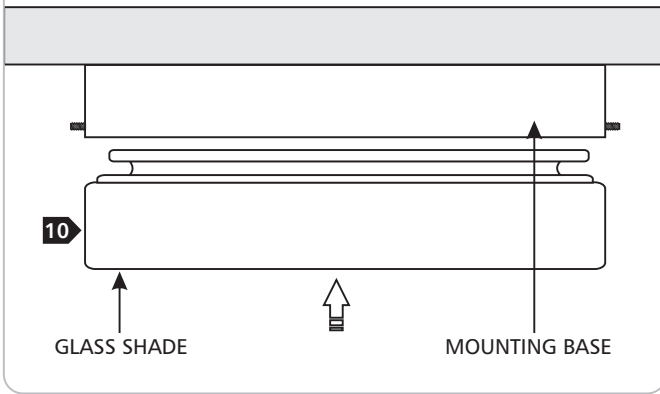
NOTE: Use only your fingers and a soft cloth to replace the lamp.

Use **MAX** 120 Volt, **40** Watt Type T4, G9 Base, Bi-Pin Halogen Lamp With Each Socket.



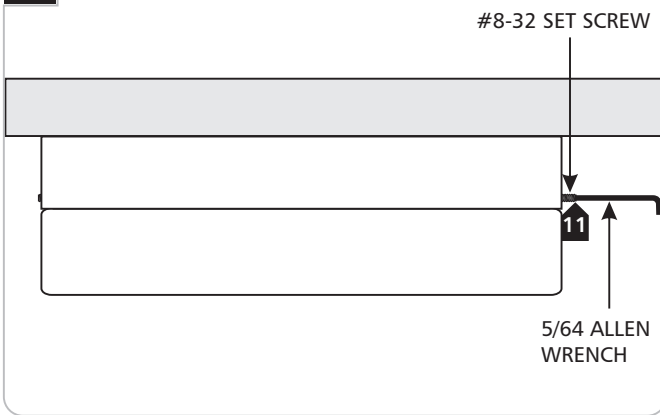
- 9 Push the lamps completely into the sockets.

1G



10 Push the glass shade completely into the mounting base until it snaps properly into the springs.

1H



11 Tighten the two #8-32 set screws with the 5/64 Allen wrench.

NOTE: To replace the lamp, follow steps 1 and 2. Pull the old lamp out and follow steps 9 through 11.

IMPORTANT SAFETY INSTRUCTIONS

To reduce the risk of fire, electrical shock, exposure to excessive UV radiation, or injury to person:

- Use this fixture indoors only.
- Do not look directly at the lighted lamp.
- Do not remain in light if skin feels warm.
- Risk of fire: Use only the type of lamp and maximum wattage indicated in this instruction manual.
- Never cover the halogen lamp and never place flammable material close to your fixture.
- Never turn the fixture on and off by connecting and disconnecting the halogen lamp.
- Do not touch the fixture shade while the fixture is on. This surface may be HOT.

Halogen Lamp General Information

- A new halogen lamp may smoke slightly when it is used for the first time. This is perfectly normal; the protective coating is simply being vaporized.

Two Tips For Prolonging Halogen Lamp Life

- First avoid touching the lamp with bare hands during installation. Any contaminant, even the oil from your hands can deteriorate the lamp. Rubbing alcohol can be used to remove any contaminant.
- Second, do not run the lamps at full power when you do not need to. However, if dimming the fixture for an extended period of time, occasionally bring the light up to full brightness for a few minutes to complete the halogen cycle.

SAVE THESE INSTRUCTIONS!

tiella[™]
real light, real simple

7400 Linder Ave, Skokie, IL 60077
847.410.4400

www.tiella.com

© 2008 Tech Lighting, L.L.C. All rights reserved. The "tiella" graphic is a registered trademark of tiella. tiella reserves the right to change specifications for product improvements without notification.

A Generation Brands Company