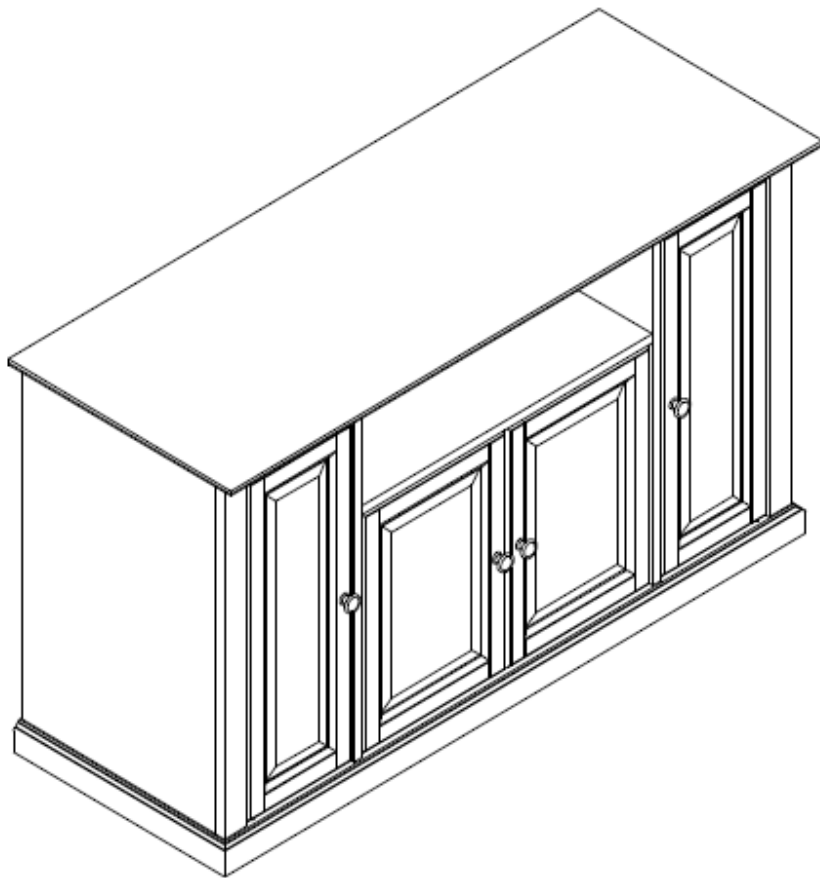




C R O S L E Y
F U R N I T U R E

48" TV Stand Cabinet
CF100148





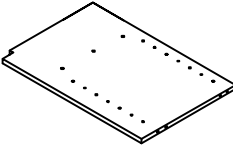
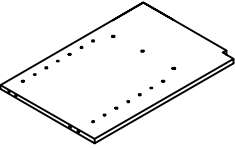
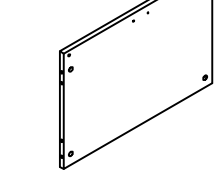
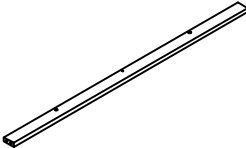
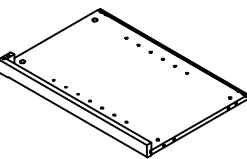
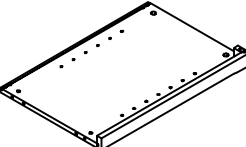
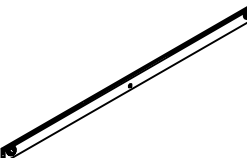
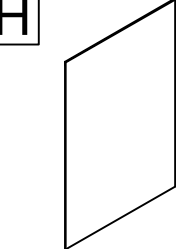
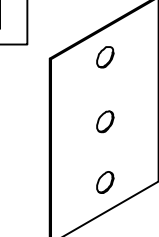

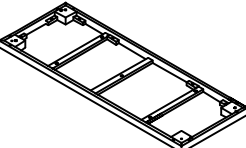
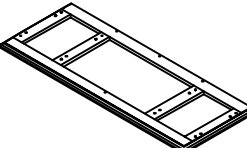
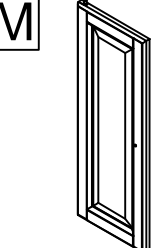
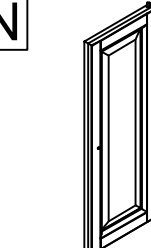
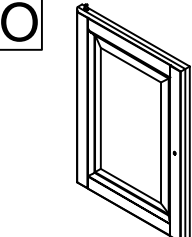
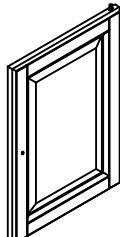
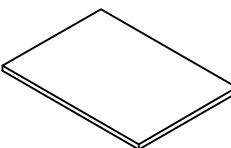
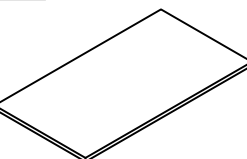
C R O S L E Y
FURNITURE

Congratulations! You have purchased a stylish piece of Crosley Furniture. We strive to provide fine furniture products, built with quality materials and hand finished details. Please carefully follow the assembly instructions to ensure your furniture is assembled correctly to provide long lasting enjoyment.

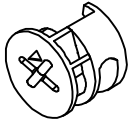
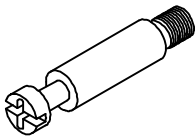
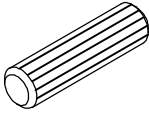


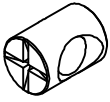
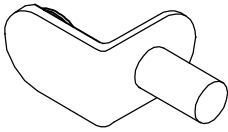

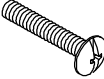
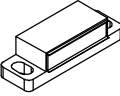
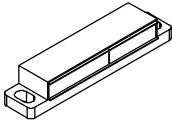
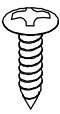
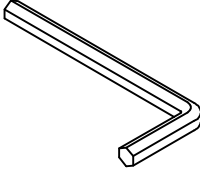
Should you experience any missing or damaged parts, **do not return to the store.** Please contact us directly at 800-815-4796.

Care: Use a soft clean cloth that will not scratch the surface when dusting. Use of furniture polish is not necessary. Should you choose to use polishes, test in an inconspicuous area first. Use of solvents of any kind may damage your furniture's finish. To clean, simply use a soft clean cloth moistened with lukewarm water, then buff with a dry soft clean cloth.

PART LIST

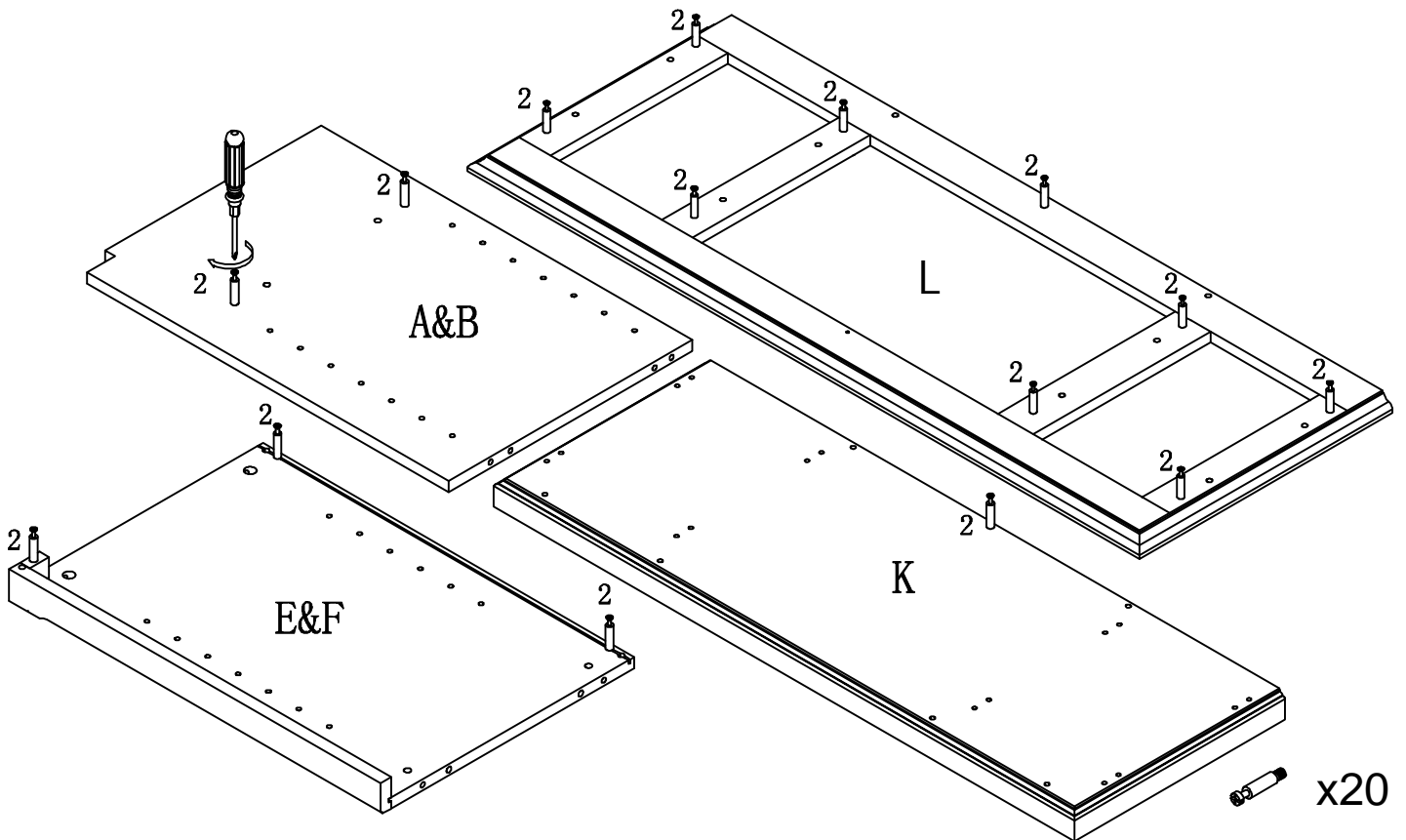
A 	B 	C 	D 	E 
1 PC	1 PC	1 PC	1 PC	1 PC
F 	G 	H 	I 	J 
1 PC	2 PCS	2 PCS	1 PC	2 PCS
K 	L 	M 	N 	O 
1 PC	4 PCS	1 PC	1 PC	1 PC
P 	Q 	R 		
1 PC	4 PCS	1 PC		

HARDWARE LIST

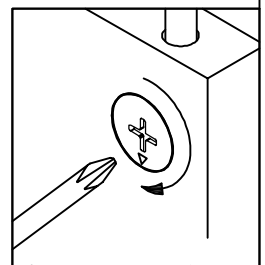
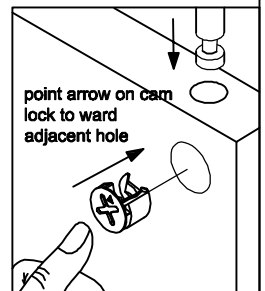
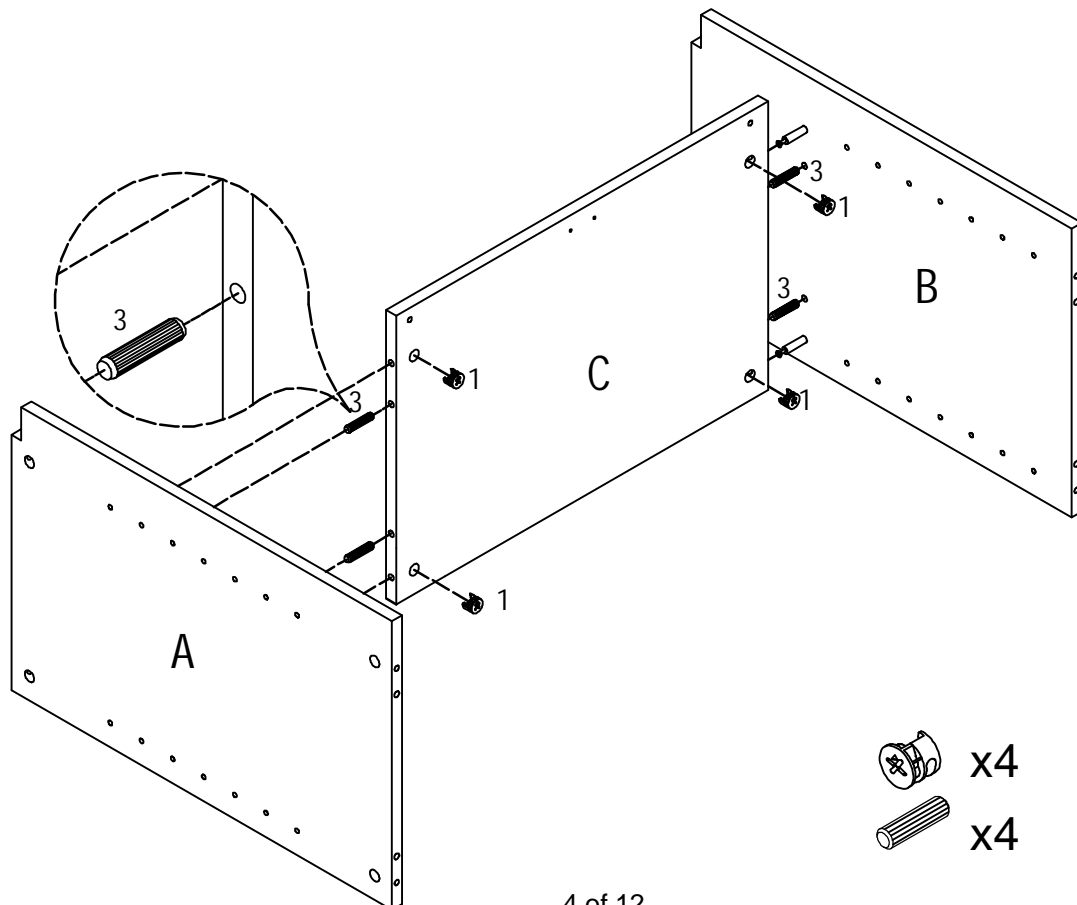
<p>1</p> 	<p>2</p> 	<p>3</p> 	<p>4</p> 	<p>5</p> 
<p>CAM LOCK 20 PCS</p>	<p>CAM BOLT 20 PCS</p>	<p>WOOD DOWEL 32 PCS</p>	<p>SCREW 3 PCS</p>	<p>HEX SOCKET HEAD BOLT 8 PCS</p>
<p>6</p> 	<p>7</p> 	<p>8</p> 	<p>9</p> 	<p>10</p> 
<p>BARREL NUT 8 PCS</p>	<p>SHELF HOLDER 20 PCS</p>	<p>KNOB 4 PCS</p>	<p>ROUND HEAD BOLT 4 PCS</p>	<p>DOOR CATCH 2 PCS</p>
<p>11</p> 	<p>12</p> 	<p>13</p> 		
<p>MAGNET 1 PC</p>	<p>ROUND HEAD SCREW 6 PCS</p>	<p>ALLEN KEY 1 PC</p>		

Tools needed: Allen key (part #13)(included)
Phillips Head Screw Driver (Not included)

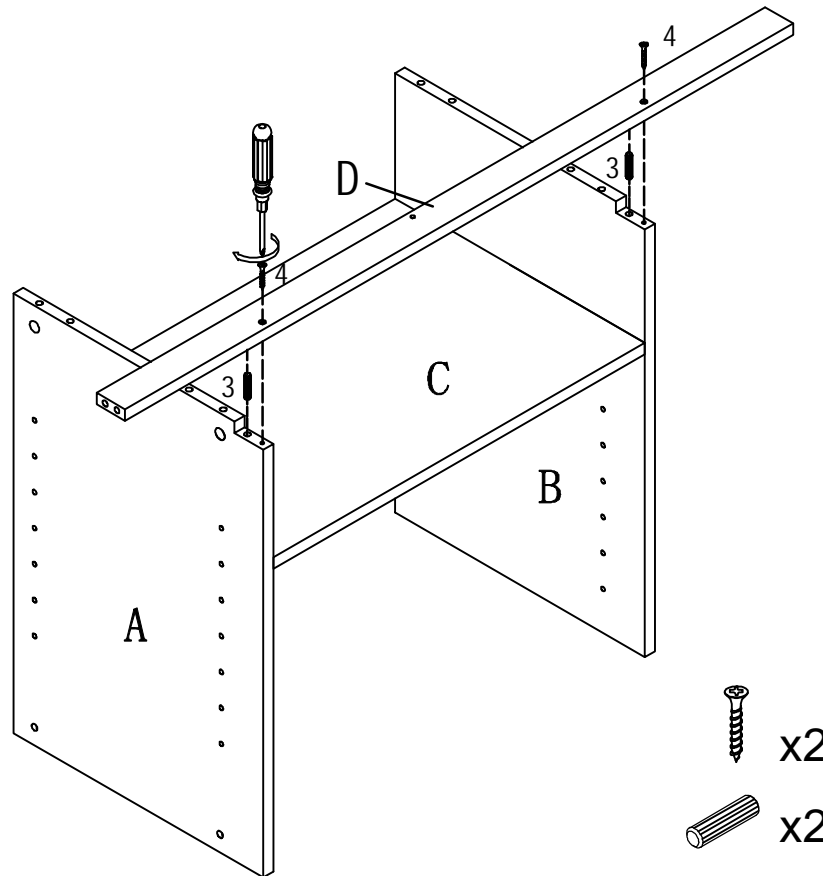
Step 1. Insert Cam Bolts (part #2) into pre-drilled holes of parts A,B,E,F,K & L using a Phillips head screw driver.



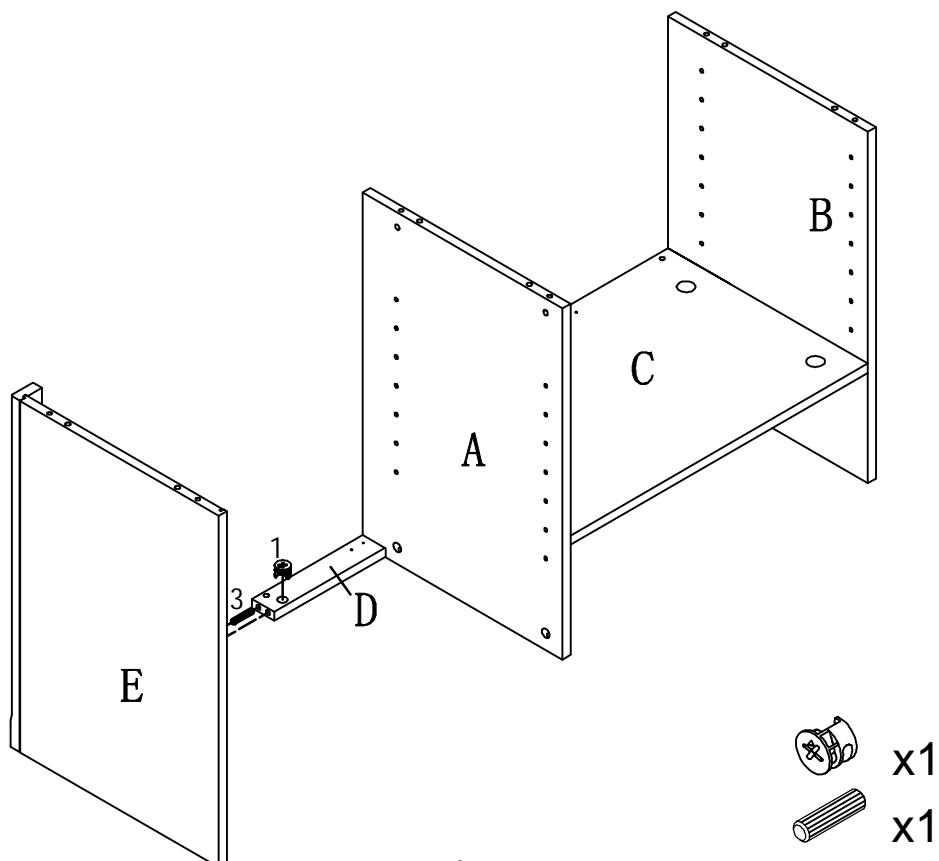
Step 2. Attach panels A & B to shelf C using Cam locks & wood dowels as shown.



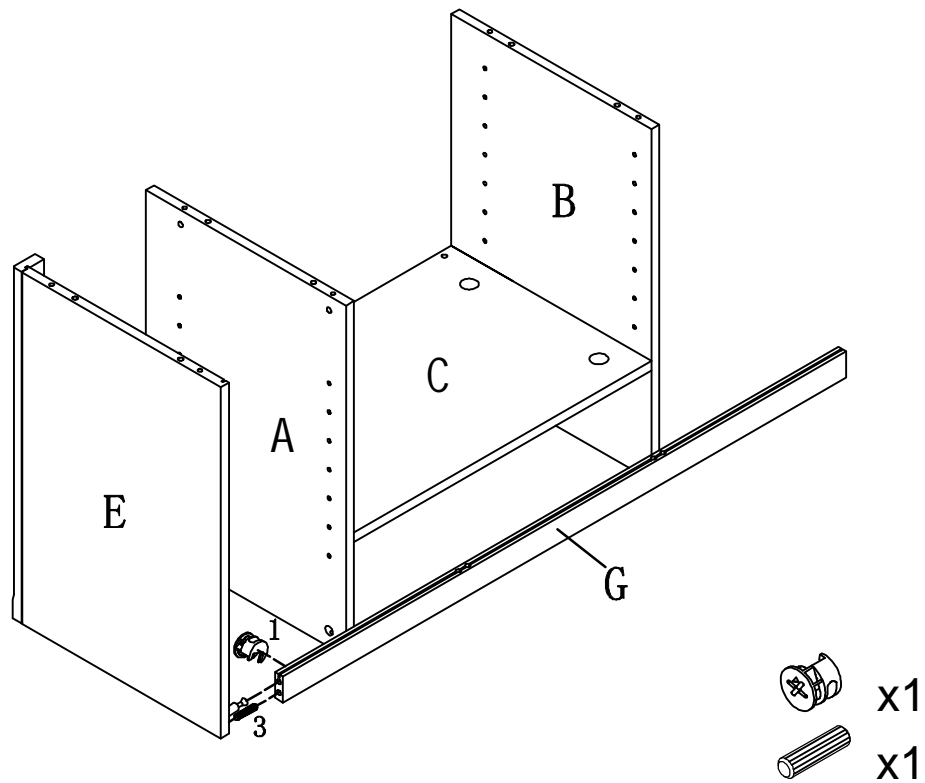
Step 3. Turn assemble parts A,B & C upright with notched cutouts facing upward. Attach Rail D using Wood Screws (part #4) & Wood dowels as shown.



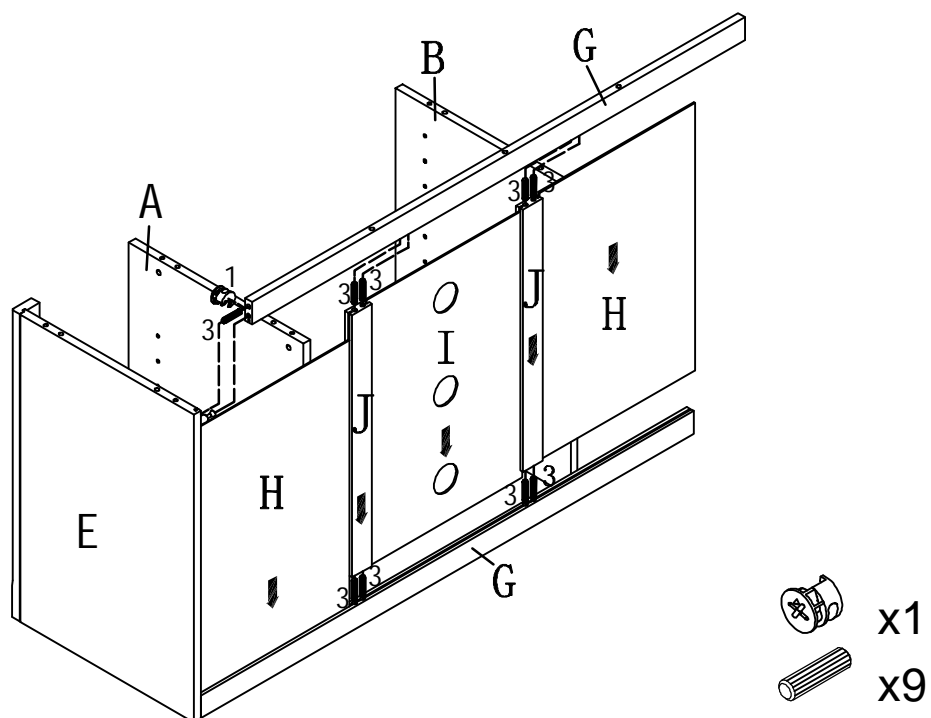
Step 4. Turn unit over with Rail D flat on floor as shown. Attach Panel E to Rail D using Cam locks & Wood dowels as shown.



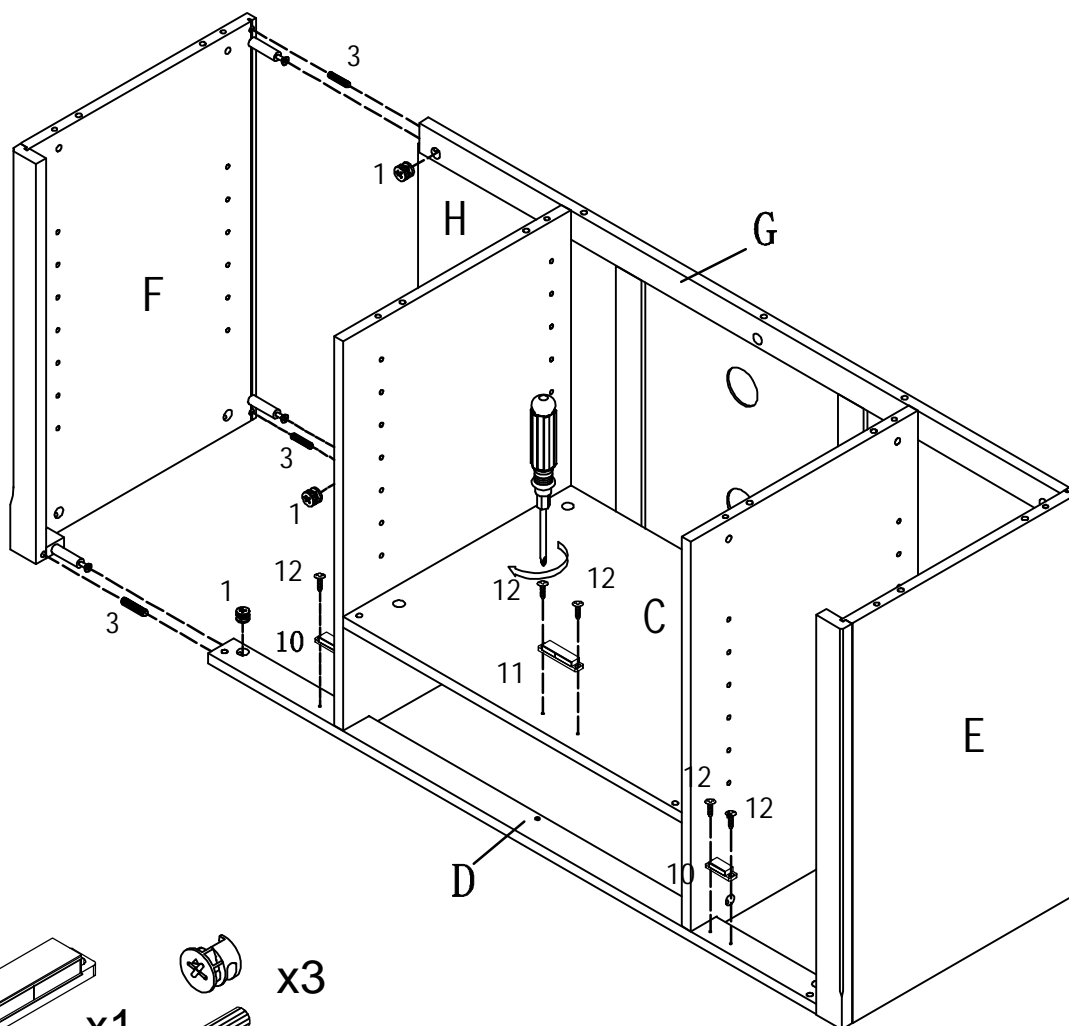
Step 5. Attach Rail G to the unit using Cam locks & Wood dowels as shown.

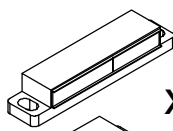

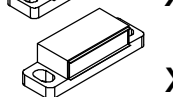
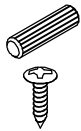


Step 6. Place Rails J into place on Rail G using Wood dowels as shown. Slide Back panels H & Panel I into the grooves as shown. Insert Wood dowels into the top end of Parts J. Attach rail G to Panel E & Rails J using Wood dowels & Cam locks as shown.

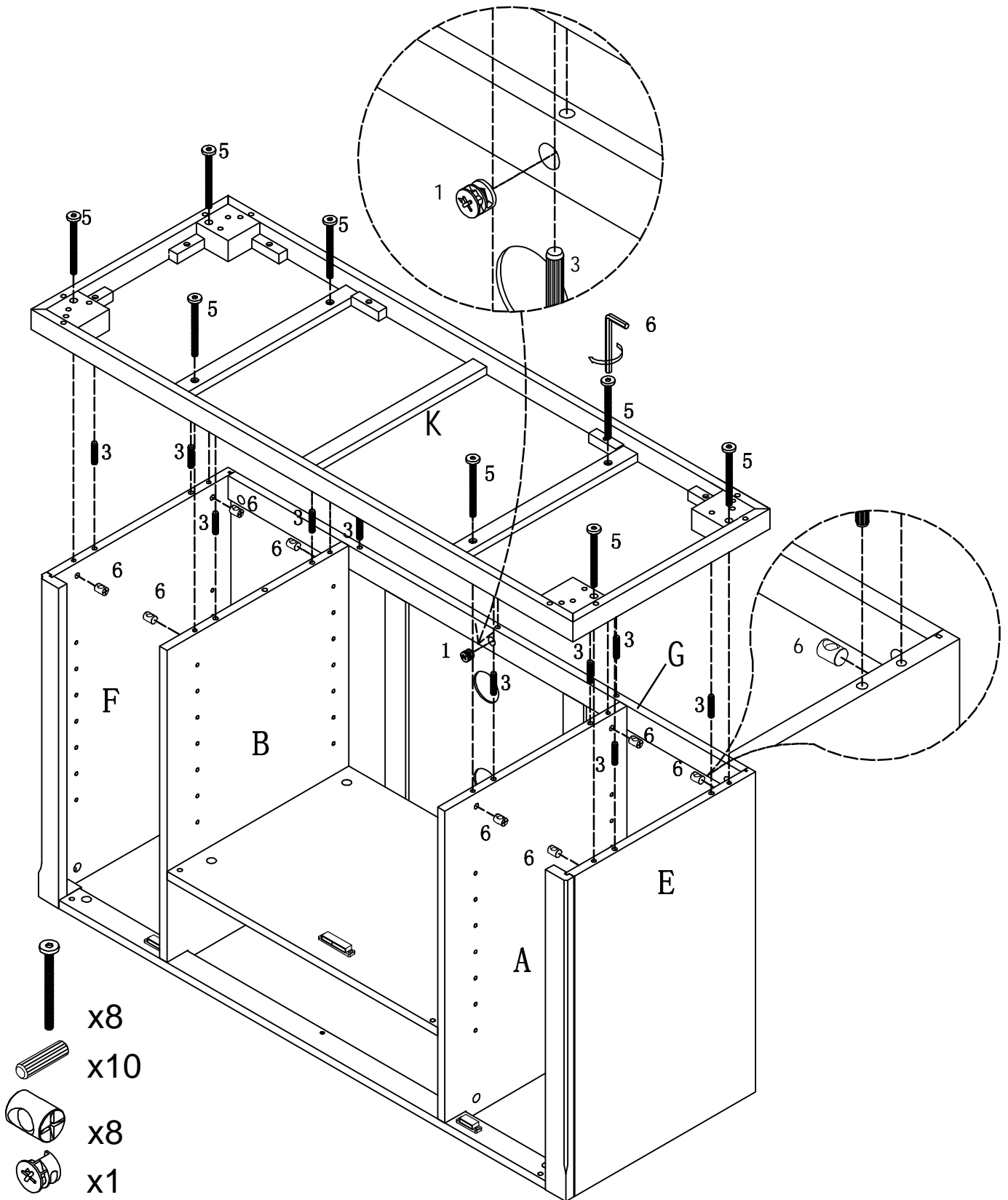


Step 7. Attach Side Panel F using Wood dowels & Cam locks as shown. Attach Magnet (part #11) to Shelf C using Round Head screws (Part #12) as shown. Attach Door Catch Magnet (Part #10) to Rail D using Round Head Screws (Part #12) as shown.

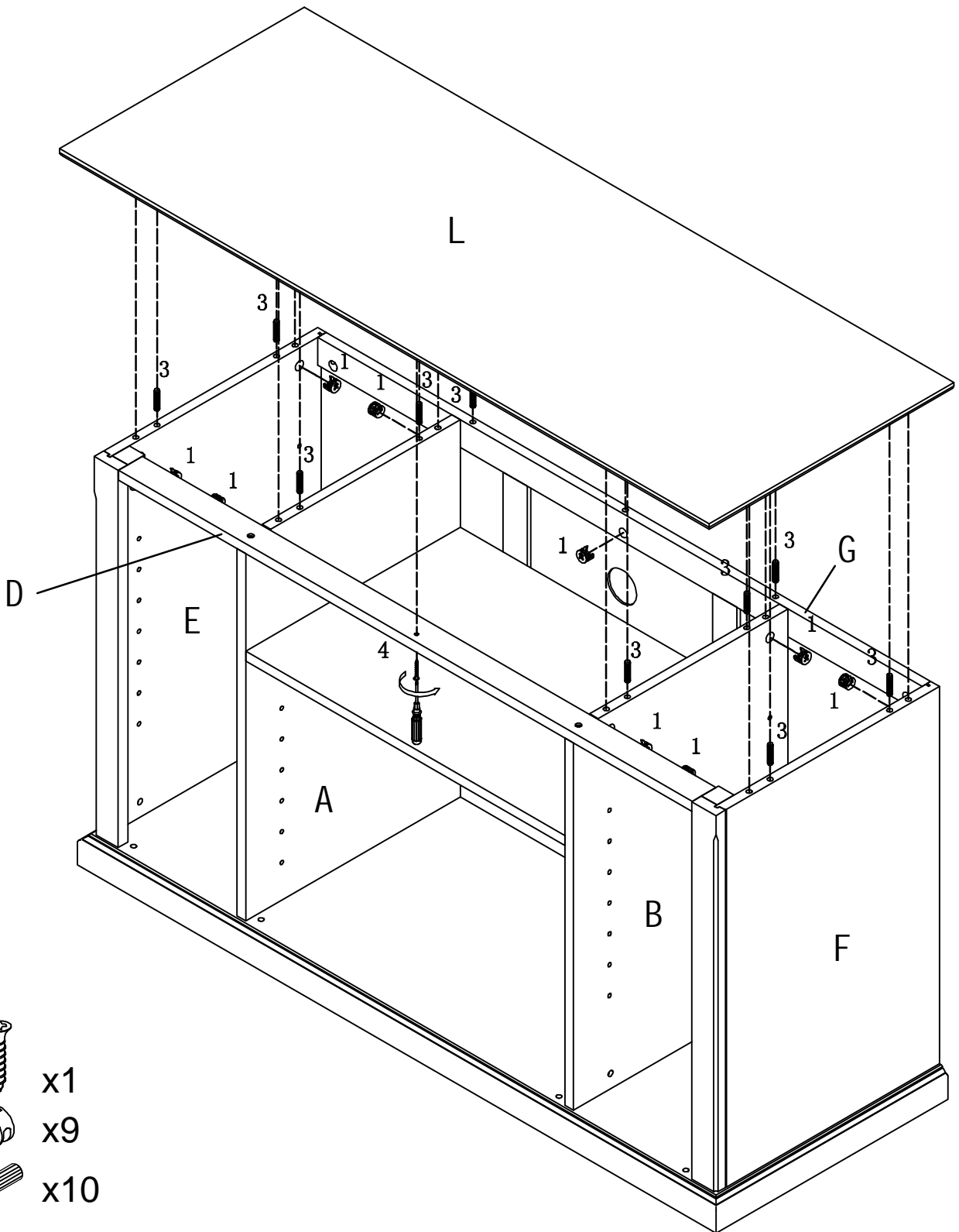


- | | | | |
|---|----|---|----|
|  | x1 |  | x3 |
|  | x2 |  | x6 |

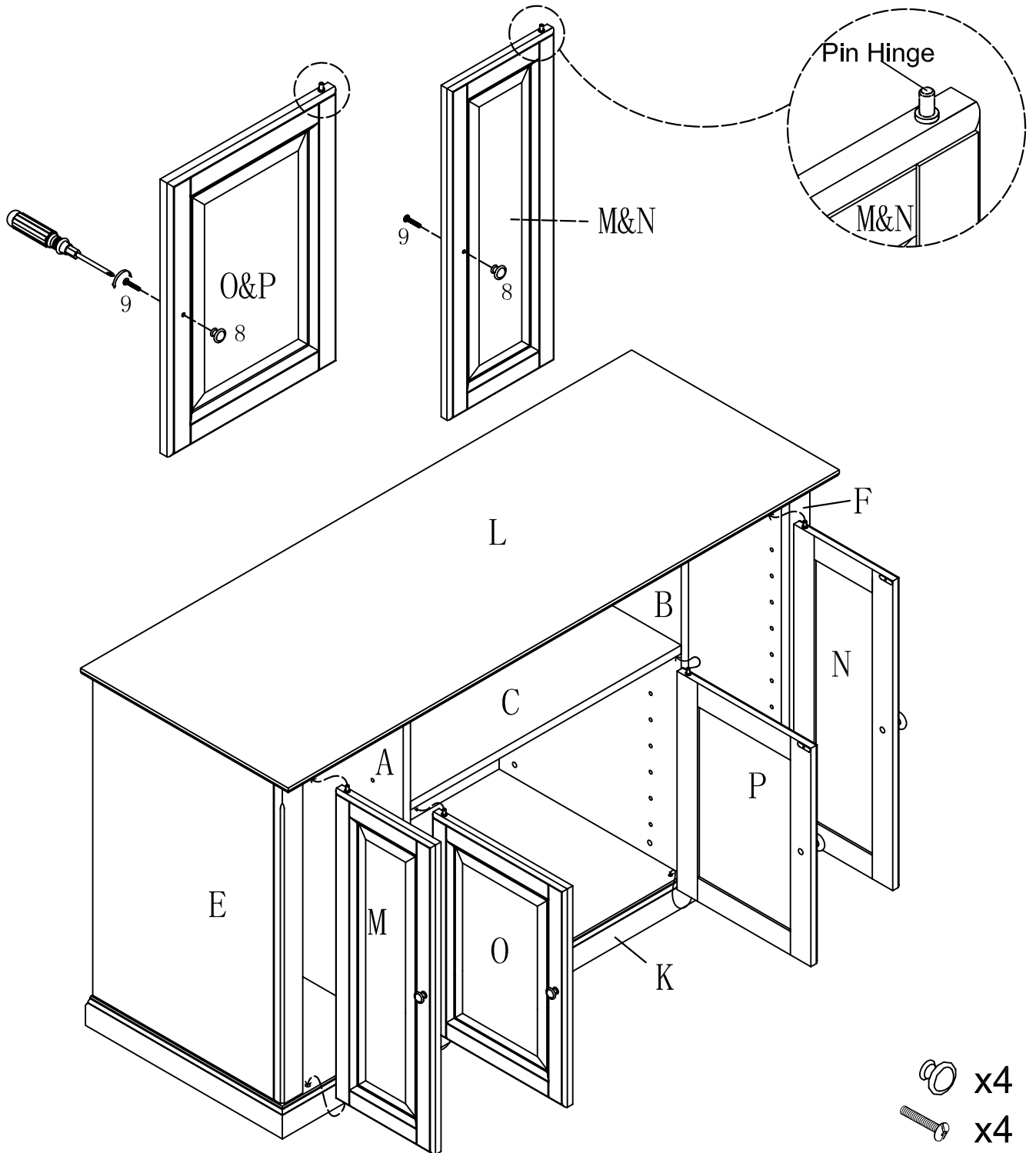
Step 8. With bottom side facing up, attach Base K to cabinet using Wood Dowels, Cam Lock, Hex Socket Head Bolt (Part #5) & Barrel Nuts (Part #6) as shown. Attach legs using Hex Socket Head Bolts & Wood dowels (as shown in instruction manual included in carton with legs). Carefully turn cabinet over so that Base K is now on the bottom.



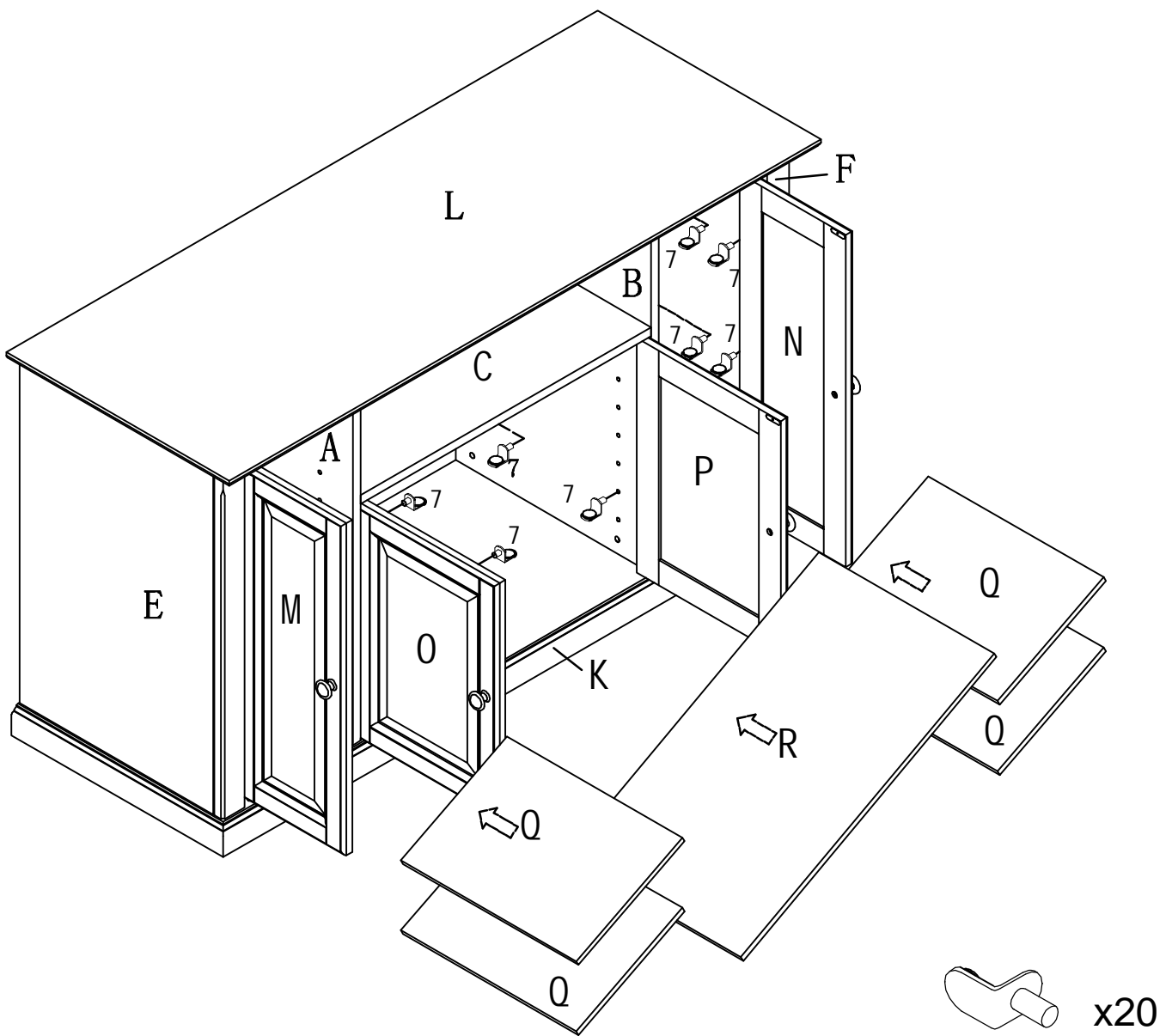
Step 9. Attach Top L to cabinet using Wood Dowels & Cam Locks as shown. Secure Rail D to Top L using one Wood Screw (Part #4) through pre-drilled hole as shown



Step 10. Attach hardware knobs (Part #8) to Doors M,N,O&P using Round Head Bolts (Part #9) and a Phillips Head screw driver. Attach doors to cabinet by placing bottom Pin Hinge into pre-drilled holes at the bottom & depressing top spring loaded Pin Hinge to fit door into place. Note: Be sure Pin Hinges (top & bottom) have fully extended into the pre-drilled holes to secure doors into place.



Step 11. Insert the Shelf Holders (Part #7) into desired position and add shelves.





C R O S L E Y
F U R N I T U R E

Limited Manufacturers Warranty

Crosley Furniture Products are warranted against defects in material and workmanship for a period of 90 days beginning from the date of sale. Should any parts be missing or defective, we will replace or repair the parts for a period of 90 days from the date of purchase.

Should you experience any missing or damaged parts, do not return to the store. Please contact us directly at 800-815-4796 from 9 AM to 5 PM (EST) Monday to Friday.

This warranty gives the purchaser specified legal rights in addition to any rights which may vary from state to state.

In accordance with the "Moss-Magnuson Warranty Act" of July 10, 1975, this is termed a "limited warranty" which in no way compromises Crosley Furniture's high standards of Quality and Workmanship.