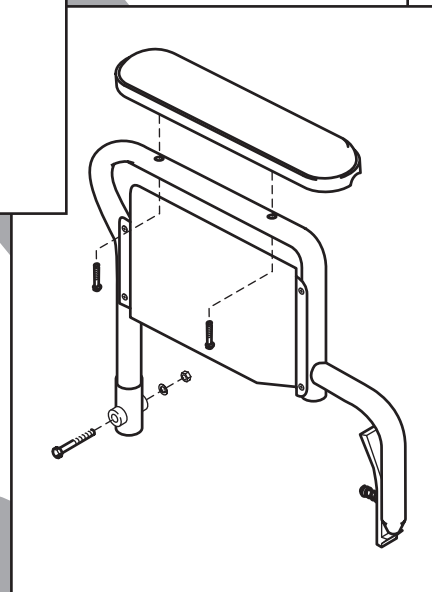
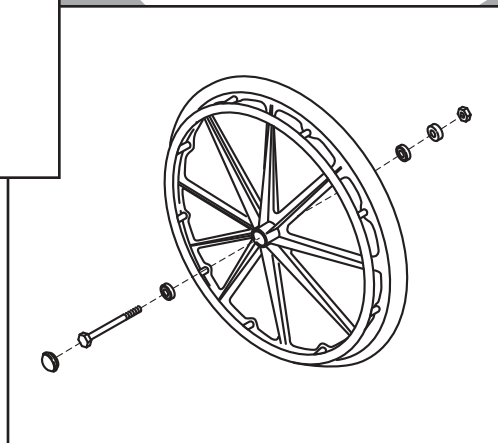
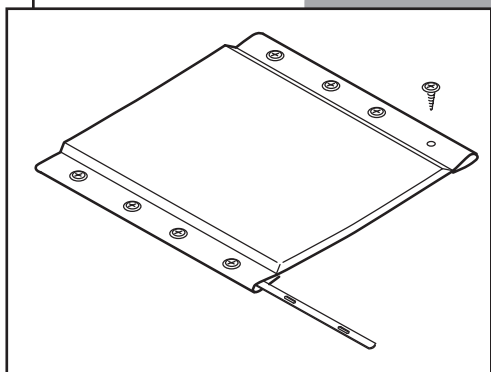


# **Traveler<sup>®</sup> L4**

## **PARTS CATALOG**



# CONTENTS

---

SIDEFAME AND CROSSBRACE .....	3
ARM, FLIP-BACK .....	4
UPHOLSTERY .....	4
REAR WHEEL .....	5
CASTER.....	5
FRONT RIGGING: FOOTREST, DETACHABLE.....	6
FRONT RIGGING: ELEVATING LEGREST, DETACHABLE .....	6
ACCESSORIES .....	7

## TO ORDER

Tel: 800-347-5678 • Fax: 800-726-0601

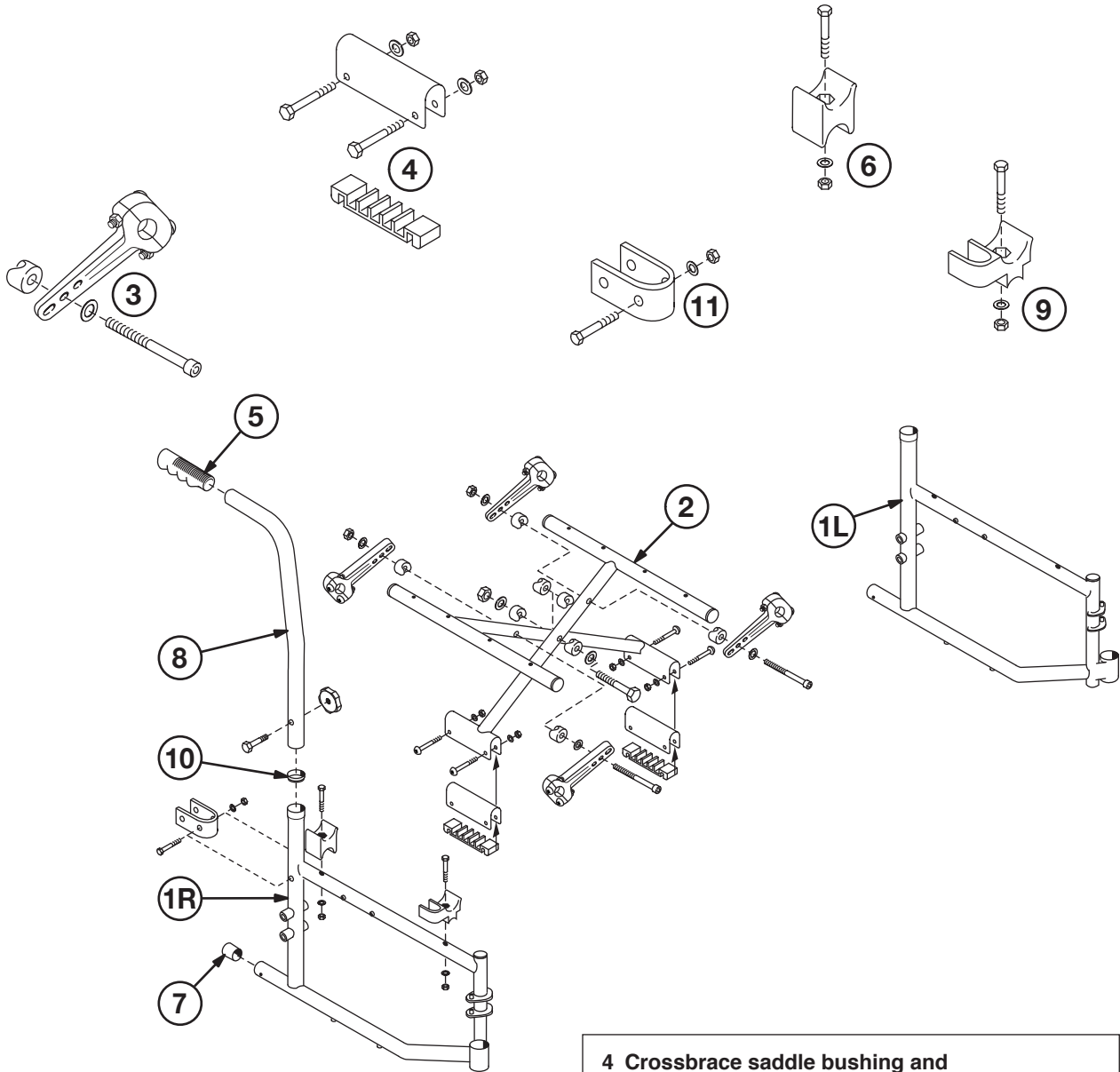
Returns: Parts may not be returned without prior authorization from GF Health Products, Inc. Custom parts cannot be returned for credit. Please refer to GF Health Products, Inc. [Terms and Conditions](#) for further information.

All illustrations and specifications contained in this catalog are based on the latest product information available at the time of the printing. GF Health Products, Inc. is not responsible for typographical errors. Packaging, warranties, products, and specifications are subject to change without notice. When ordering parts from this catalog, we suggest that you check with our Customer Service Department to ensure that you have the latest revision level of this catalog, which is printed below each page number. GF Health Products, Inc. reserves the right to make changes at any time without notice.

Everest & Jennings, E&J, Traveler, and Graham-Field are registered trademarks of GF Health Products, Inc.

© June 2009, GF Health Products, Inc., All Rights Reserved.

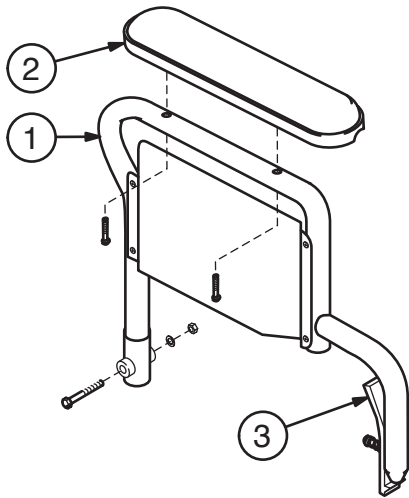
# SIDEFRADE AND CROSSBRACE



<b>1 Sideframe, all widths</b>	
Right .....	90763201
Left .....	90763202
<b>2 Crossbrace, pair (Includes center bolt and nut)</b>	
16" W .....	907632C1
18" W .....	907632C2
20" W .....	907632C3
<b>3 Crossbrace link, set of 4 (includes mounting hardware)</b>	
16" W .....	907632D1
18" W .....	907632D2
20" W .....	907632D3

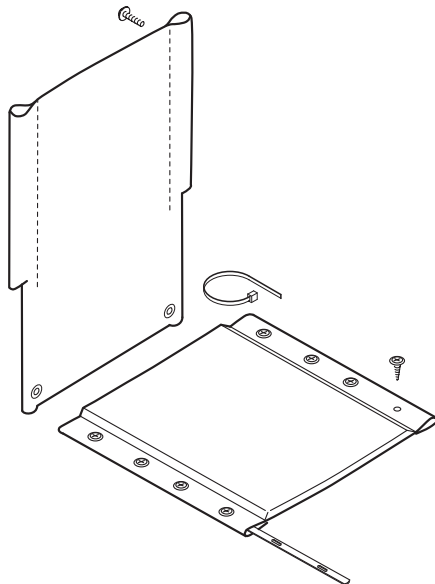
<b>4 Crossbrace saddle bushing and gasket, pair (Includes mounting hardware) .....</b>	<b>90763205</b>
<b>5 Grip (10 each) .....</b>	<b>90763005</b>
<b>6 Seat rail cradle, pair (includes 2 each screw, washer and nut).....</b>	<b>90763206</b>
<b>7 Tipping sleeve (10 each).....</b>	<b>90763006</b>
<b>8 Backpost, knob and screw, pair .....</b>	<b>90763207</b>
<b>9 Seat rail and arm cradle, pair (includes 2 each screw, washer and nut) .....</b>	<b>90763208</b>
<b>10 Mounting ring (10 each).....</b>	<b>90763209</b>
<b>11 Arm bracket, pair (includes 2 each screw, washer and nut).....</b>	<b>90763210</b>

# ARM, FLIP-BACK



- 1 **Arm, flip-back fixed-height, pair**  
(includes right and left arm with mounting hardware, side panel, and latch; does not include arm pad)
  - Desk length..... 90763220
  - Full length..... 90763221
  
- 2 **Arm pad, pair** (includes two black arm pads and mounting screws)
  - Desk length..... 90763022
  - Full length..... 90763023
  
- 3 **Arm latch, pair, with hardware** ..... 90763223

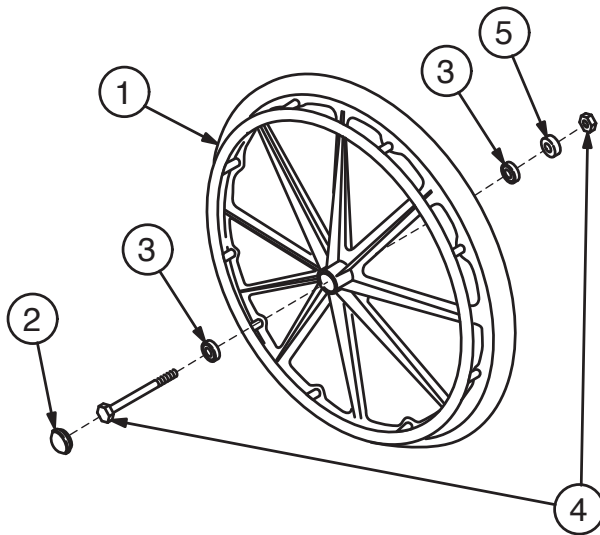
# UPHOLSTERY



- Back upholstery, black nylon, and mounting hardware** (includes replacement ties)
  - 16" W..... 907632A1
  - 18" W..... 907632A2
  - 20" W..... 907632A3

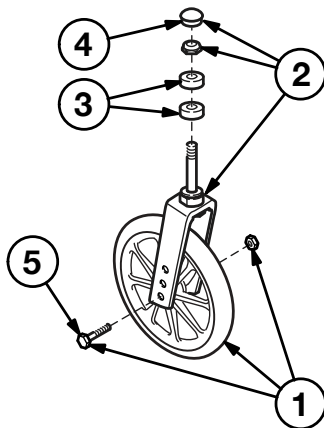
- Seat upholstery, black nylon, and mounting hardware**
  - 16" W x 16" D..... 907632B1
  - 18" W x 16" D..... 907632B2
  - 20" W x 16" D..... 907632B3

# REAR WHEEL



- |   |          |
|---|----------|
| 1 Rear wheel with handrim, 24" x 1", polyurethane tire (includes hub cap and bearing; does not include axle or nut) ..... | 90763150 |
| 2 Hub cap (10 each).....  | 90763051 |
| 3 Wheel bearing (10 each) .....   | 90763052 |
| 4 Rear axle and nut (10 each)<br>Desk length arm chair.....   | 90763053 |
| Full length arm chair.....  | 90763250 |
| 5 Spacer, full length arm chair only (10 each).....   | 90763251 |

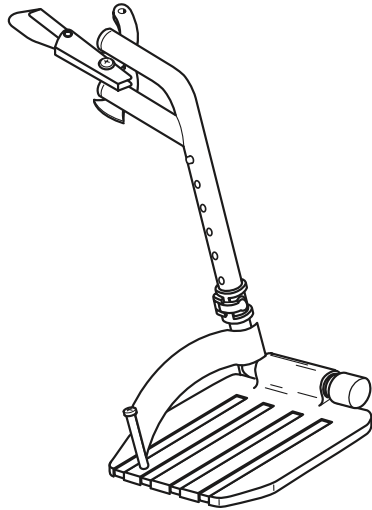
# CASTER



- |  |          |
|--|----------|
| Complete caster (fork and wheel), 8" x 1" solid rubber tire..... | 90763040 |
| 1 Caster wheel, axle and nut .....                               | 90763041 |
| 2 Caster fork, stem nut and dust cap ....                        | 90763042 |
| 3 Caster stem bearing (10 each) .....                            | 90763043 |
| 4 Caster dust cap (10 each).....                                 | 90763044 |
| 5 Caster axle and nut (10 each).....                             | 90763045 |

## FRONT RIGGING: FOOTREST, DETACHABLE

---

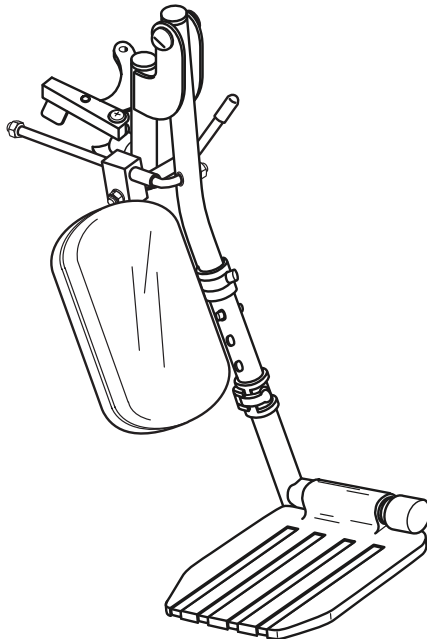


Footrest, pair, all widths  
Includes right and left hanger with release  
and composite footplate with extension  
and heel loop

..... 90763030

## FRONT RIGGING: ELEVATING LEGREST, DETACHABLE

---



Elevating legrest, pair, all widths  
Includes right and left hanger with release,  
composite footplate with extension, and  
legrest panel (does not include heel loop)

.....90763031

Elevating legrest panel kit  
Includes 2 black padded panels and hardware

.....90763032

**Traveler® L4 accessories (not shown)**

1	Heel loop, pair.....	90763064
2	Wheel lock, pair (includes rubber tips)	
	Push to lock.....	90763070
	Pull to lock.....	90763071
3	Rubber tip, wheel lock (10 each).....	90763063
4	Wheel lock extension, pair .....	90763062
5	Positioning belt (metal buckle) .....	92133040
6	Anti-Fold bar .....	92523850
7	O2-IV holder .....	B10320F
8	Anti-Tippers, pair.....	90763230

**Everest & Jennings®**  
A Graham-Field Brand

**USA Corporate Headquarters:**

**GF Health Products, Inc.  
2935 Northeast Parkway  
Atlanta, Georgia 30360 USA**

**tel: 800-347-5678, 770-447-1609  
fax: 800-726-0601, 678-291-3232**



**GRAHAM-FIELD.**

**[www.grahamfield.com](http://www.grahamfield.com)**

**Traveler® L4 Parts Catalog  
GF0900085RevB09, June 2009**