


Note: The most current version of these instructions can be found online at www.grahamfield.com

Note: Use these instructions to mount rails on Patriot™ Bed only. Instructions to mount rails on WhisperLite™ Bed can be found online at www.grahamfield.com

GF6580B-1 / GF6580BH-1 Quarter Rails are intended for homecare use or institutional use with Patriot™ beds. Ensure that you have read and understood the following safety information before installing or using the Quarter Rails.

⚠ WARNING: Important! Read and understand these instructions before installing or using the GF6580B-1 / GF6580BH-1 Patriot™ Liberty Quarter Rails. If you do not understand any part of these warnings, cautions or instructions, contact a healthcare professional for direction in the use of this product. If the bed rails are not properly installed and adjusted, personal injury and damage to the rails and bed could result.

Entrapment may occur. The bed frame and its components, including the mattress, bed side rails, head and foot board, bedding, and any accessories added to the bed, can all affect the risk of entrapment. Thorough patient assessment and monitoring are necessary to reduce the risk of entrapment, including establishing whether the use of a bed rail is in the best interest of the patient. Patients most vulnerable to entrapment are those who are frail, confused, restless, or who have uncontrolled body movement. Please read and understand the following bed rail decal before use:



**WARNING /
SAFETY
ALERT**

Patient entrapment with bed side rails may result in serious injury or death. Use only with coherent patients capable of avoiding entrapment. Patients at risk of entrapment include those with pre-existing conditions such as confusion, restlessness, lack of muscle control, Alzheimer's, dementia, altered mental state, or those prone to seizure, etc. For at-risk patients, use only with proper bed side rail protective barriers. There is also an increased risk of entrapment when bed rails are used in conjunction with a low air loss product. Bed side rails are not restraining devices. If restraint is required, use only proper protective restraints. Follow the manufacturer's instructions and applicable regulations. Monitor patient frequently.

DO NOT push or pull the bed by the bed rails.

GF658016SRV-C09

For information on Bed Rail safety, please see the following brochure: "A Guide to Bed Safety: Bed Rails in Hospitals, Nursing Homes and Home Health Care: The Facts" on the FDA website, at www.fda.gov/MedicalDevices/ProductsandMedicalProcedures/GeneralHospitalDevicesandSupplies/HospitalBeds/

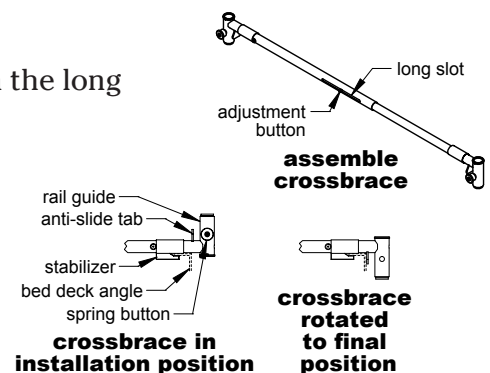
- ⚠ WARNING: GF6580B-1 / GF6580BH-1 Quarter Rails are intended for use as assist rails, head rails, or foot rails. The rails are not intended as a restraint device. DO NOT use the rails as a restraint.**
- ⚠ WARNING: DO NOT push or pull the bed by the bed rails.**
- ⚠ WARNING: GF Health Products, Inc. recommends that GF6580B-1 / GF6580BH-1 Quarter Rails be used with Lumex® beds, and cannot guarantee their optimal performance with other manufacturers' beds.**
- ⚠ WARNING: If components are damaged or missing, contact your Graham-Field distributor immediately. DO NOT use substitute parts. Use only Lumex® replacement parts. The use of non-Lumex® replacement parts could result in personal injury, damage the rails, and void the warranty.**
- ⚠ WARNING: GF Health Products, Inc. assumes no responsibility for any damage or injury caused by improper assembly, installation or use of this product.**

CROSSBRACE ASSEMBLY

Assemble crossbraces: Press the adjustment button, which engages in the long slot, and slide the two crossbrace sections together as shown at right.

Crossbrace Position

Please note that crossbrace installation position differs from final position. To facilitate installation, it is necessary to expose the stabilizers that hook the crossbraces to the bed deck angle. The pictures at right will aid you during the following crossbrace installation instructions.

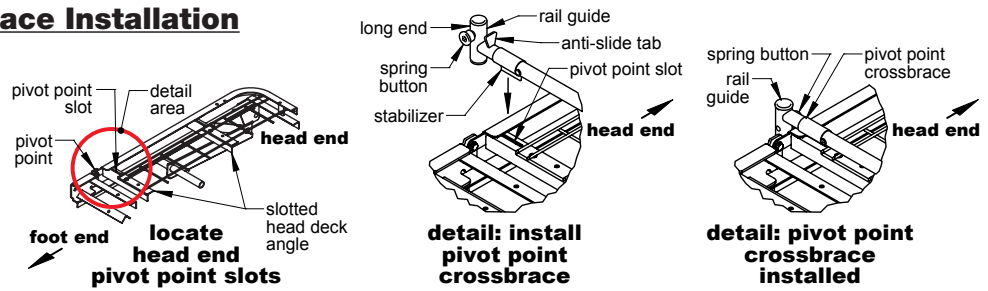


INSTALLATION AS HEAD RAILS

Remove bedding and mattress. Ensure that the bed deck is in the flat position.

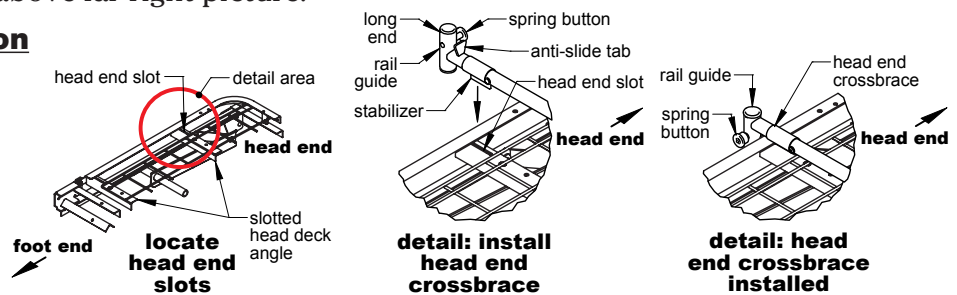
Head End Pivot Point Crossbrace Installation

1. Locate the two head deck angle slots on either side of the bed closest to the head end pivot point (see near right picture).
2. Position the head end pivot point crossbrace so it extends across the bed. Ensure the stabilizers remain at the bottom of the crossbrace and rotate the rail guides so the long ends face upward and the spring buttons face the bed's foot end, as shown in above center picture.
3. Insert one of the crossbrace stabilizers into the slot across the bed from you. Compress the spring-loaded crossbrace until the second stabilizer aligns with the slot closest to you and lower it into the slot. Slowly release crossbrace until it locks into place.
4. Rotate the crossbrace so the long ends of the rail guides face downward and the spring buttons face the bed's head end, as shown in above far right picture.



Head End Crossbrace Installation

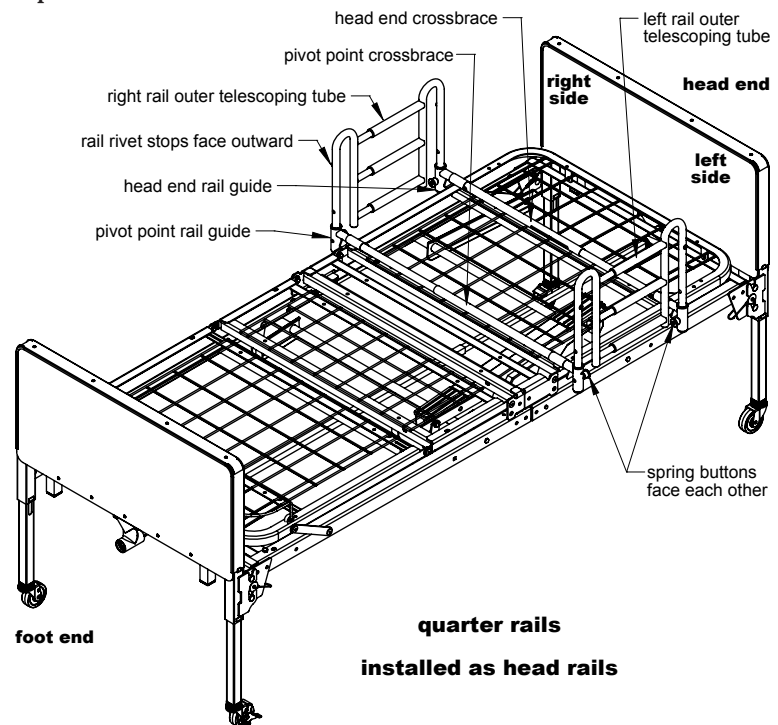
1. Locate the two head deck angle slots on either side of the bed closest to the bed's head end (see near right picture).
2. Position the head end crossbrace so it extends across the bed. Ensure the stabilizers remain at the bottom of the crossbrace and rotate the rail guides so the long ends face upward and the spring buttons face the bed's head end, as shown in above center picture.
3. Insert one of the crossbrace stabilizers into the slot across the bed from you. Compress the spring-loaded crossbrace until the second stabilizer aligns with the slot closest to you and lower it into the slot. Slowly release crossbrace until it locks into place.
4. Rotate the crossbrace so the long ends of the rail guides face downward and the spring buttons face the bed's foot end, as shown in above far right picture.



Head Rail Installation

1. Align the two legs of each rail over the crossbrace rail guides. Ensure the outer telescoping rail tubes are facing the bed's head end and the rail rivet stops are facing outward, as shown at right.
2. Gently pull out the spring buttons and lower the rail until both buttons click into position in the first holes on both rail legs, locking down the rail.

⚠ WARNING: Ensure the outer telescoping rail tubes face the head end of the bed as shown at right; if positioned otherwise, a pinch point could occur when bed is raised or lowered.

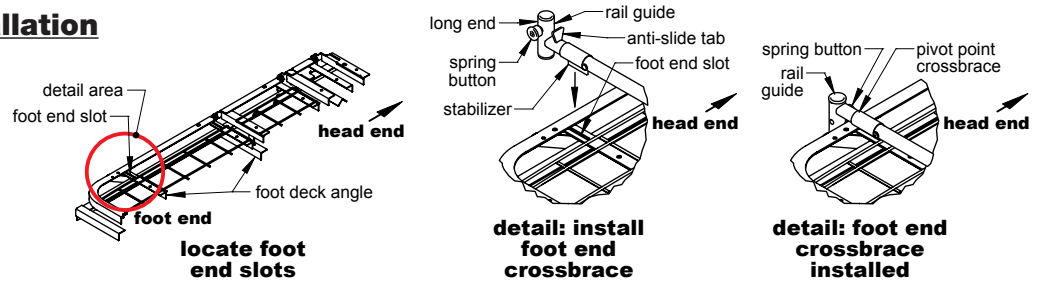


INSTALLATION AS FOOT RAILS

Remove bedding and mattress. Ensure that the bed deck is in the flat position.

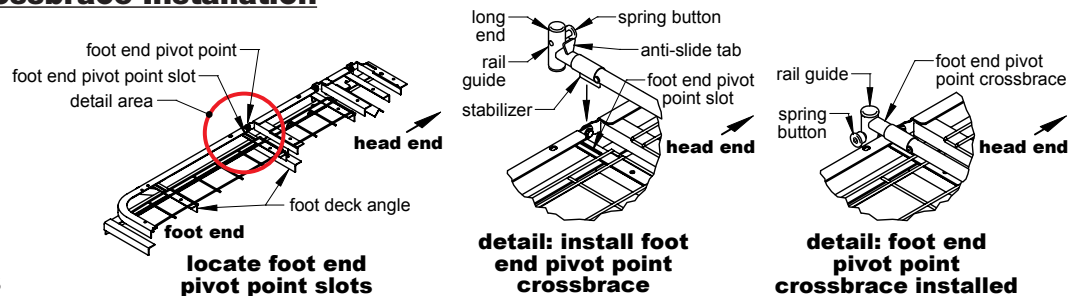
Foot End Crossbrace Installation

1. Locate the two foot deck angle slots on either side of the bed closest to the bed's foot end (see near right picture).
2. Position the foot end crossbrace so it extends across the bed. Ensure the stabilizers remain at the bottom of the crossbrace and rotate the rail guides so the long ends face upward and the spring buttons face the bed's foot end, as shown in above center picture.
3. Insert one of the crossbrace stabilizers into the slot across the bed from you. Compress the spring-loaded crossbrace until the second stabilizer aligns with the slot closest to you and lower it into the slot. Slowly release crossbrace until it locks into place.
4. Rotate the crossbrace so the long ends of the rail guides face downward and the spring buttons face the bed's head end, as shown in above far right picture.



Foot End Pivot Point Crossbrace Installation

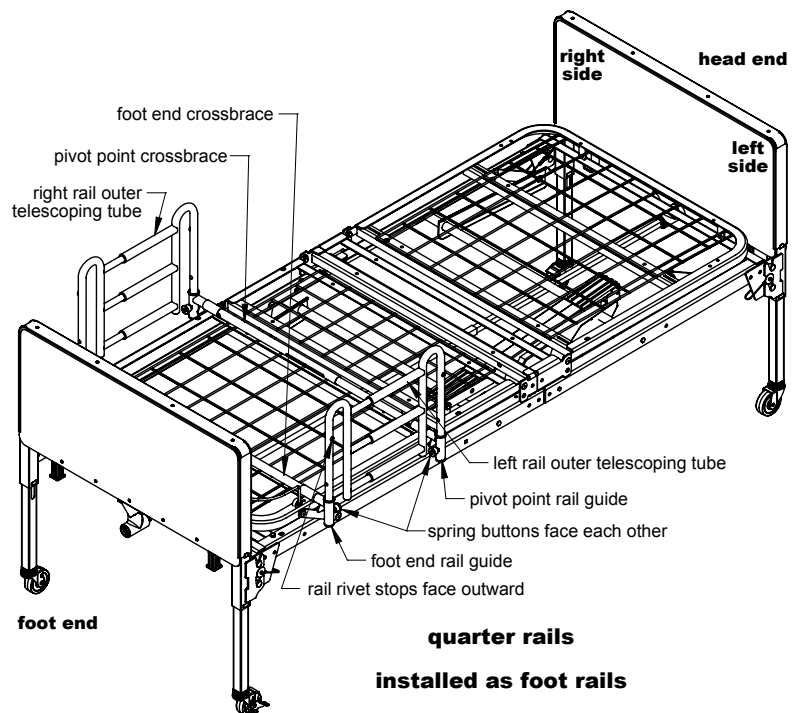
1. Locate the two foot deck angle slots on either side of the bed closest to the bed's foot end pivot point (see near right picture).
2. Position the pivot crossbrace so it extends across the bed. Ensure the stabilizers remain at the bottom of the crossbrace and rotate the rail guides so the long ends face upward and the spring buttons face the bed's head end, as shown in above center picture.
3. Insert one of the crossbrace stabilizers into the slot across the bed from you. Compress the spring-loaded crossbrace until the second stabilizer aligns with the slot closest to you and lower it into the slot. Slowly release crossbrace until it locks into place.
4. Rotate the crossbrace so the long ends of the rail guides face downward and the spring buttons face the bed's foot end, as shown in above far right picture.



Foot Rail Installation

1. Align the two legs of each rail over the crossbrace rail guides. Ensure the outer telescoping rail tubes are facing the bed's head end and the rail rivet stops are facing outward, as shown at right.
2. Gently pull out the spring buttons and lower the rail until both buttons click into position in the first holes on both rail legs, locking down the rail.

⚠ WARNING: Ensure the outer telescoping rail tubes face the head end of the bed as shown at right; if positioned otherwise, a pinch point could occur when bed is raised or lowered.



OPERATION

⚠ WARNING: Always ensure the bed rails are securely installed as described before use.

Lowering the Rails

To lower the rails to the MID position, pull out the spring buttons and lower the rail until the buttons lock in the second holes. Release the spring buttons. To lower the rails to the DOWN position, pull out the buttons and lower the rail until it sits on the two rail rivet stops.

Raising the Rails

To raise the rails to the MID position, pull out the spring buttons and raise the rail until the buttons catch in the second holes. To raise the rails to the UP position, pull out the buttons and raise the rail until the buttons catch in the top holes.

⚠ WARNING: Ensure the bed rails lock into place during adjustment, and that both ends of each bed rail are adjusted to the same height.

MAINTENANCE

⚠ WARNING: Inspect the bed rails frequently and adjust as needed to ensure secure installation.

Cleaning

To clean the bed rails, wash them with soap and water or a mild detergent, then rinse with water.

▲ CAUTION: Never use abrasive cleaners or scouring pads on any part of the bed rails.

WARRANTY

GF Health Products, Inc. ("Graham-Field") warrants the Lumex® GF6580B-1 / GF6580BH-1 Patriot™ Liberty Quarter Rails for three years against manufacturer's defects. If a product is deemed to be under warranty, GF Health Products, Inc. shall provide, at its option, (1) replacement of any defective part or product or (2) a credit of the original selling price made to GF Health Products, Inc.'s initial customer. The warranty does not include any labor charges incurred in replacement part(s) installation or any associated freight or shipping charges to GF Health Products, Inc.

The warranties contained herein contain all the representations and warranties with respect to the subject matter of this document, and supersede all prior negotiations, agreements and understandings with respect thereto. The recipient of this document hereby acknowledges and represents that it has not relied on any representation, assertion, guarantee, warranty, collateral contract or other assurance, except those set out in this document.



GF Health Products, Inc. is not responsible for typographical errors. Packaging, warranties, products and specifications are subject to change without notice. Graham-Field and Lumex are registered trademarks, and Patriot and WhisperLite are trademarks, of GF Health Products, Inc.

© 2010 GF Health Products, Inc. • 2935 Northeast Parkway • Atlanta, GA 30360 • tel 800-347-5678 • fax 800-721-0601