



Rev date:11/12/2011

SELECTION MADE SIMPLE.  
www.americanheritagebilliards.com

### ASSEMBLY INSTRUCTIONS

Andria / Delphina Hi-dining table

LOOSELY ATTACH EACH SCREW UNTIL FRAME IS ASSEMBLED THEN TIGHTEN WHEN COMPLETE

**1** STEP:1

Table leg

**2** STEP:2

UNLOCK HERE

**3** STEP:3

**4** STEP:4

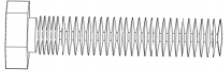
SNAP BUTTERFLY EDGES INTO PLACE

HARDWARE PACK

MADE IN CHINA

CHECK THAT THE FOLLOWING PARTS ARE IN CARTON

**A** **B**  **C**  **D**



Bolt

Dia5/16"X2-1/2"L 8pcs



Lock washer

Dia5/16" 8pcs



Flat washer

Dia5/16" 8pcs



Wrench

1pcs

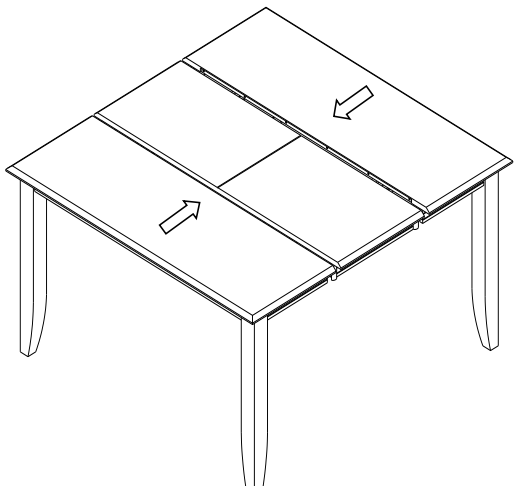
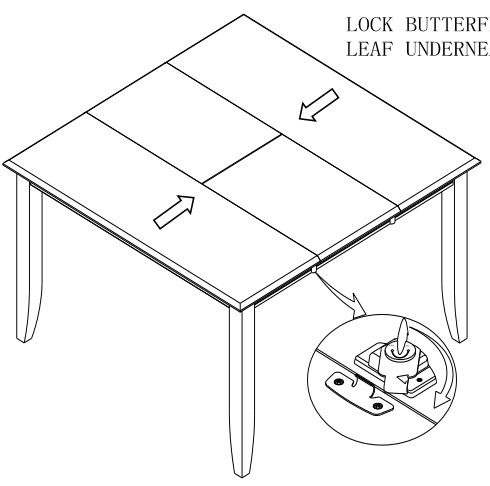


Rev date: 11/12/2011

SELECTION MADE SIMPLE.  
[www.americanheritagebilliards.com](http://www.americanheritagebilliards.com)

**ASSEMBLY INSTRUCTIONS**  
**Andria / Delphina Hi-dining table**

LOOSELY ATTACH EACH SCREW UNTIL FRAME IS ASSEMBLED THEN TIGHTEN WHEN COMPLETE

<p><b>5</b> STEP:5 SLIDE OUTER HALVES OF TABLE TOEGTHER</p> 	<p><b>6</b> STEP:6 LOCK BUTTERFLY LEAF UNDERNEATH</p> 
--	---

1. Place the table top upside down on a smooth and flat surface , attach the four legs to table top by using bolts A , lock washers B , flat washers C and Wrench D .

2. Put the table upright .

3. Unlock the leaf locks underneath the table top and open the table tops Wide enough to make sure the Leaves can be placed .

4.Snap butterfly edges into space .

5.Slide outer halves of table together .

6. Lock butterfly leaf underneath .

Assembly is complete now .

Thanks for your purchase !