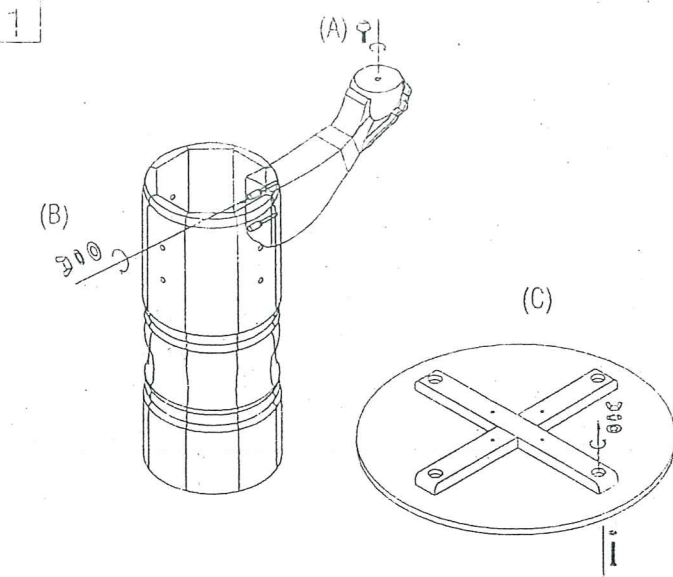
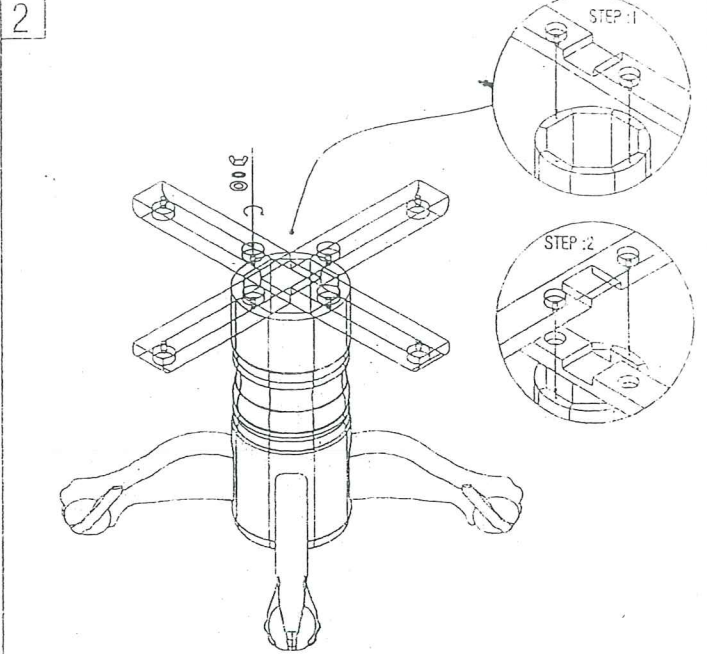


ASSEMBLY INSTRUCTION HUSTLER TABLE

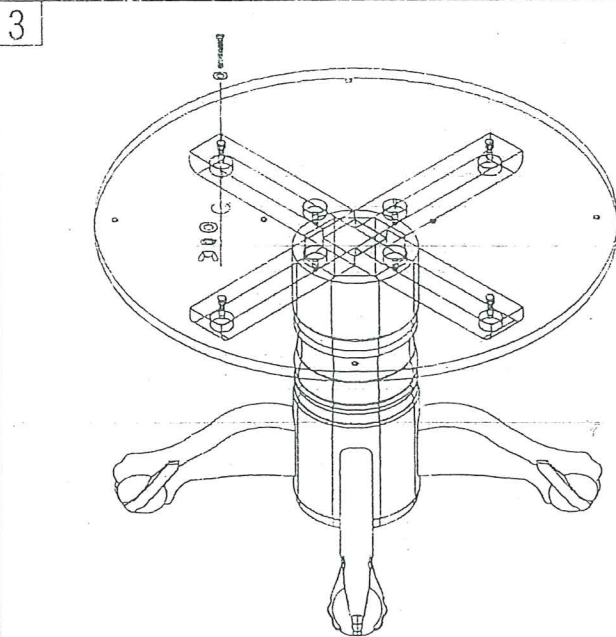
T 4109 / T4124



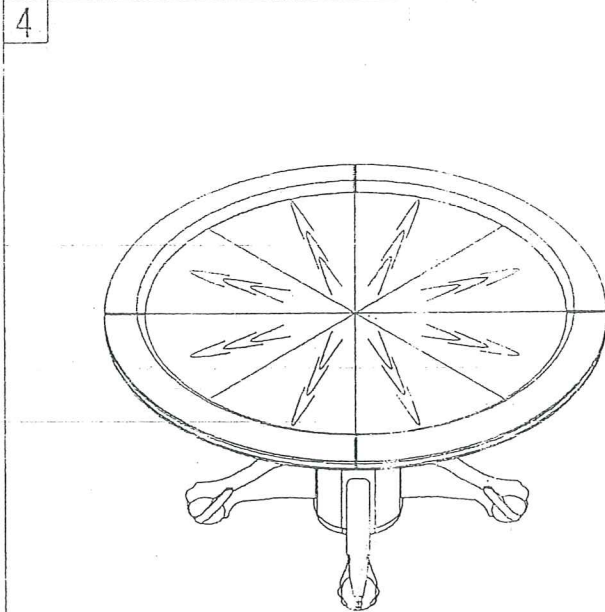
- (A) INSERT THE LEG LEVELER INTO THE BOTTOM OF THE TABLE LEG.
 (B) ATTACH THE TABLE LEG TO THE TABLE STAND USING THE WING NUT, SPRING WASHER AND FLAT WASHER (REPEAT FOR EACH LEG).
 (C) REMOVE 2 CROSS RAILS WHICH ASSEMBLED ,FOR NEXT STEP .



ASSEMBLE 2 CROSS RAILS TO THE TABLE STAND UPWARD USING THE WING NUT, SPRING WASHER AND FLAT WASHER.

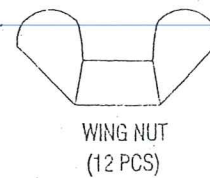
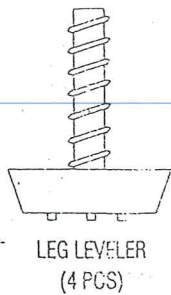


ASSEMBLE THE BASE PLATE TO THE 2 CROSS RAILS .
 INSERT A HEX SCREW AND FLAT WASHER DOWN THROUGH THE BASE PLATE INTO THE CROSS RAILS. BENEATH THE CROSS RAIL, ATTACH A FLAT WASHER, SPRING WASHER AND WING NUT TO THE HEX SCREW .



PUT THE TABLE TOP ON THE BASE PLATE THEN PUT THE CUP HOLDERS INTO THE HOLES PROVIDED , FINISH ASSEMBLY.

HARDWARE ARE PACK
 CHECK THE FOLLOWING PARTS ARE IN THE CARTON.



MADE IN CHINA