



ezCinema Plus Series

Portable Floor Pull-Up Screen

USER'S GUIDE



Rev062510-JA

www.elitescreens.com

info@elitescreens.com

Precautions:



Warning! Screen damage can result from operational errors if the enclosed precautions are not followed.



In accordance with practicing home fire safety and avoiding screen damage, do not place the screen near or beside a fireplace or high temperature objects such as a gas stove, BBQ or heater.



Place the screen beyond the reach of children.

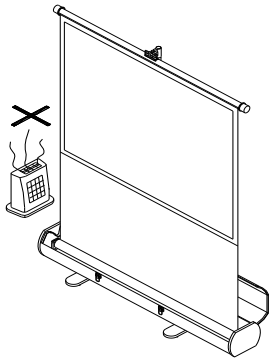


Fig. 1

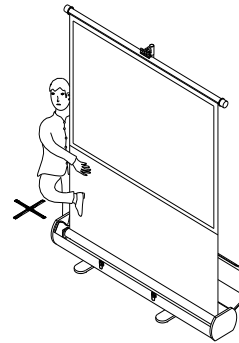
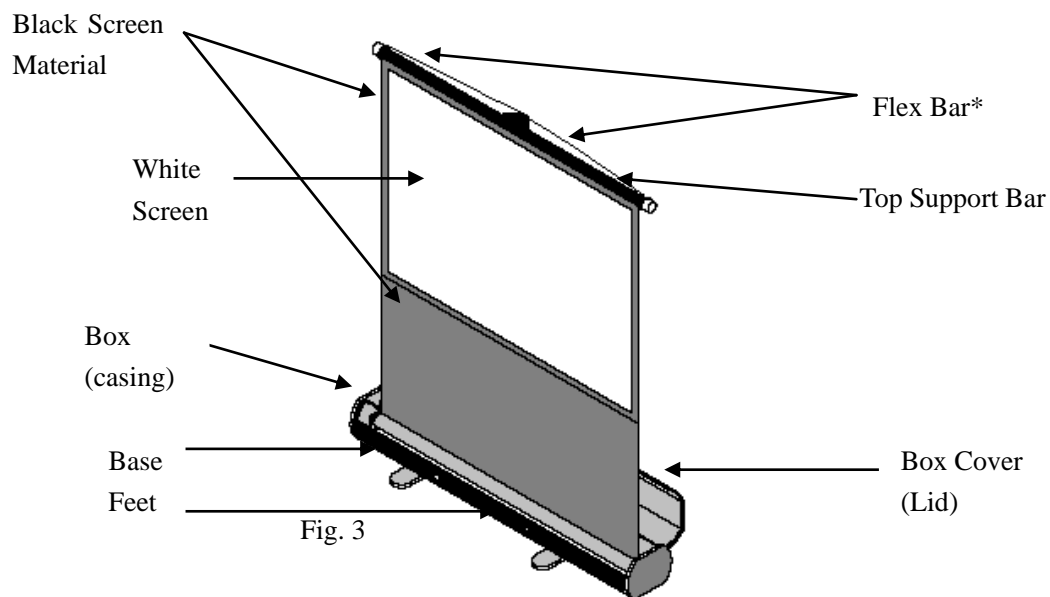


Fig. 2

Parts Identification



**Note: The Flex Bar is a feature designed to evenly distribute the tension of the screen out to the sides. The Flex Bar is designed to “bow” out from the Top Support Bar. It may bow out a few inches depending on the size of the screen. (Fig.3)*

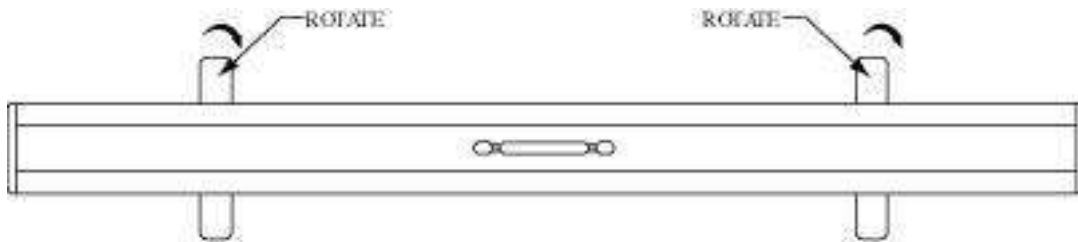
Setting up the Screen

Installation

The screen should be installed in an area free of very strong wind and away from any fire activity such as a heater, BBQ grill or fireworks display.

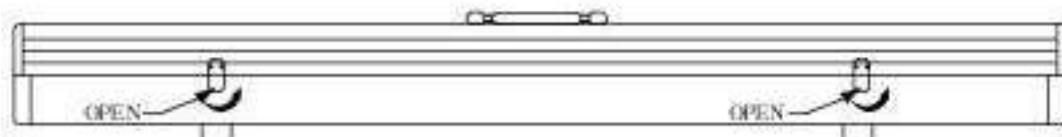
1. Extend base feet:

Locate the base feet on the bottom of the box at each end and rotate them until they form right angles.



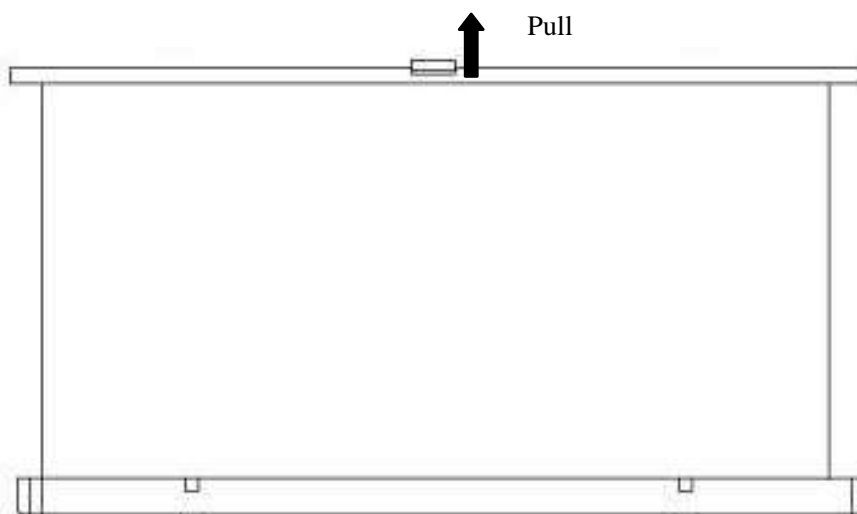
2. Open the box cover:

Unlatch the buckles at both ends of the box and open the box cover.



3. Pulling up the screen:

Carefully lift the screen by its handle and stop at the desired height position. The screen's "scissor back" spring configuration will support it.

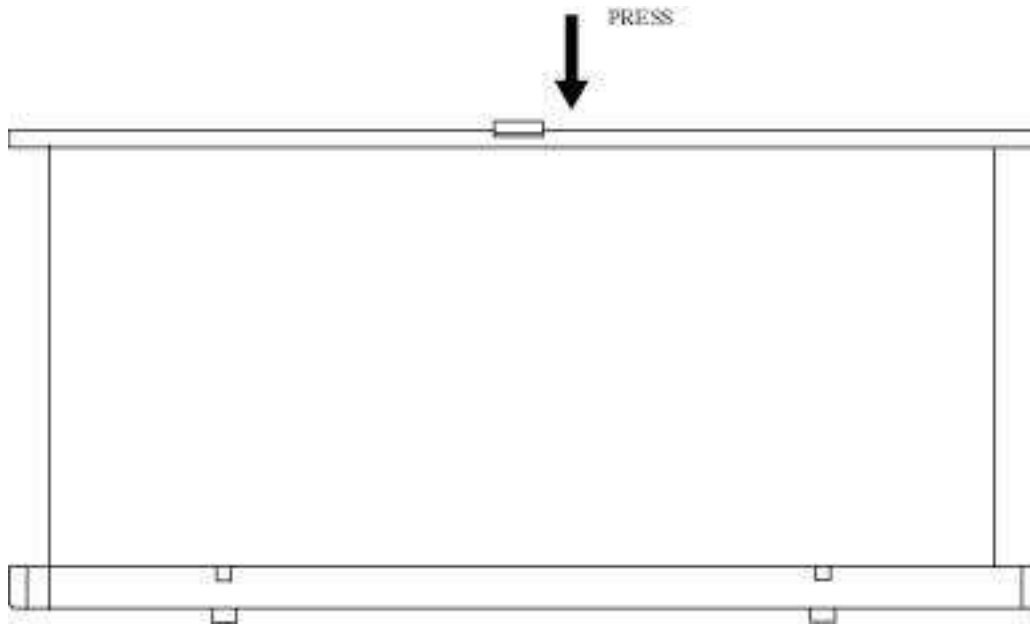


Note: The screen will only stop shortly after the bottom black rise has been exposed.

Putting screen away

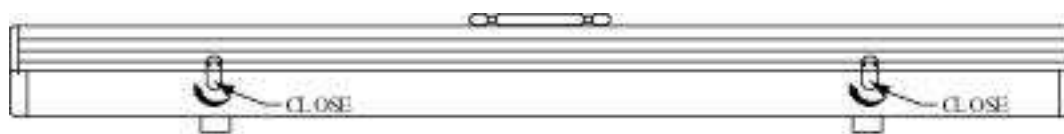
1. Retract the screen into case:

Press the screen's handle slowly in a downward motion and allow the screen to retract back gently into the housing.



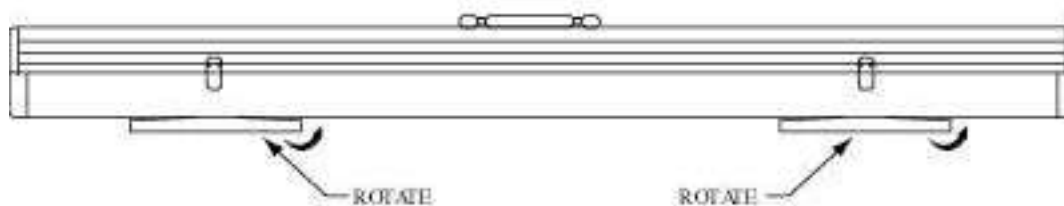
2. Closing it up:

Snap the buckles into place at both ends and verify that the screen's box is closed securely.



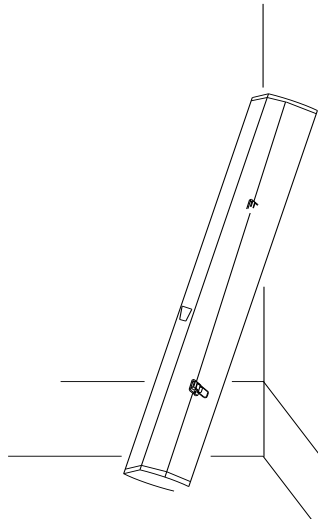
3. Draw the base feet back:

Slightly lift one end of the box at a time and rotate the two feet on the bottom of the box until they are in parallel alignment with the box.



4. Storing the screen:

The recommended place for storage would be a corner spot or in a closet, but the ultimate choice is up to you.



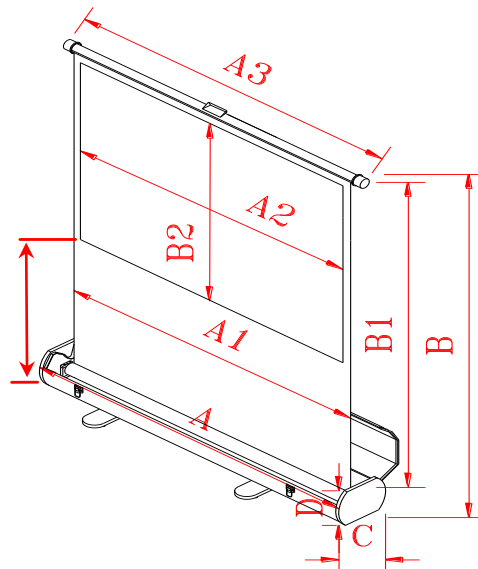
The following points should be noted to assure the sound performance of the screen.

1. Never use your hand to touch the screen surface.
2. Never scrabble on the screen.
3. Don't touch the screen with hard or sharp objects.
4. Please use clean cotton cloth or soft dust brush to remove dust particles from the screen.

ezCinema Plus Series Dimensions Table

Unit: mm												
Model	Diagonal Size/Aspect Ratio	Case Length (A)	Screen Width (A1)	View Width (A2)	Upper Scroll Bar Length (A3)	Overall Height (B)	Screen Height (B1)	View Height (B2)	B3	Case Height (D)	Case Width (C)	N.W. (KGS)
F60XWV1	60"(4:3)	1410.0	1269.0	1219.0	1380.0	2028.3	1892.3	914.4	890.0	95.0	118.0	7.9
F84XWV1	84"(4:3)	1891.0	1757.0	1707.0	1861.0	2102.0	1966.0	1280.2	670.0	95.0	118.0	9.6
F100XWV1	100"(4:3)	2224.0	2082.0	2032.0	2194.0	2447.4	2311.4	1524.0	492.0	95.0	118.0	10.8
F74XWH1	74"(16:9)	1829.0	1688.0	1638.0	1799.0	1969.9	1833.9	919.5	924.0	95.0	118.0	9.1
F84XWH1	84"(16:9)	2041.0	1910.0	1860.0	2011.0	2071.5	1935.5	995.7	873.0	95.0	118.0	9.7
F100XWH1	100"(16:9)	2399.0	2264.0	2214.0	2369.0	2091.8	1955.8	1244.6	1076.0	95.0	118.0	11.0
F95XWS1	95"(1:1)	1891.0	1756.0	1706.0	1861.0	2503.3	2367.3	1706.9	619.0	95.0	118.0	9.8
Unit: Inch												
Model	Diagonal Size/Aspect Ratio	Case Length (A)	Screen Width (A1)	View Width (A2)	Upper Scroll Bar Length (A3)	Overall Height (B)	Screen Height (B1)	View Height (B2)	B3	Case Height (D)	Case Width (C)	N.W. (LBS)
F60XWV1	60"(4:3)	55.5	50.0	48.0	54.3	79.9	74.5	36.0	35.0	3.7	4.6	17.5
F84XWV1	84"(4:3)	74.4	69.2	67.2	73.3	82.8	77.4	50.4	26.4	3.7	4.6	21.0
F100XWV1	100"(4:3)	87.6	82.0	80.0	86.4	96.4	91.0	60.0	19.4	3.7	4.6	23.7
F74XWH1	74"(16:9)	72.0	66.5	64.5	70.8	77.6	72.2	36.2	36.4	3.7	4.6	20.1
F84XWH1	84"(16:9)	80.4	75.2	73.2	79.2	81.6	76.2	39.2	34.4	3.7	4.6	21.3
F100XWH1	100"(16:9)	94.4	89.1	87.2	93.3	82.4	77.0	49.0	42.4	3.7	4.6	24.2
F95XWS1	95"(1:1)	74.4	69.1	67.2	73.3	98.6	93.2	67.2	24.4	3.7	4.6	21.6

*Measurement dimensions are intended as a reference only and subject to change without notice. Note: Data Error may be ± 1 "



Warranty Policy

- **Two (2) year** parts and labor warranty from defects in workmanship from purchase date as follows (except for refurbished units as specified below):
- Each party will be responsible for one way shipping during the warranty period. Elite Screens **is not** responsible for applicable International tariffs such as broker fees and custom duties.
- **A RMA (Return Merchandise Authorization) number** must be issued in order to process a replacement or to authorize a return for warranty repair. Elite Screens will, at its sole option, replace or repair the defective unit with a replacement *(see exceptions below) after the defective unit is received. Once the product is received, Elite Screens will send out a replacement *unit to the customer by ground service (subject to inventory availability). **Please do not return any unauthorized items to Elite Screen, as they will be refused and returned at your expense. The RMA number must be included on the outside label of your shipping box. Our warehouse is not authorized to accept returns without an RMA number on the shipping label. RMA numbers are valid for 45 days from the date of issue.**
- **Missing Parts** must be reported within 7-days of receipt. If reported after 7 days, customer will only be responsible for shipping and handling fees. If reported after 30 days of receipt, customer is responsible for cost of the parts and shipping & handling fees.

*A new or refurbished replacement will be sent out to the customer depending on the type of purchase (new or refurbished) or based on stock availability.

North America only: U.S. and Canada

For Warranty and Service requests please fill out a RMA /Service Form at <http://www.elitescreens.com/warrantysupportform>

Please Visit this link for full Warranty information:
<http://www.elitescreens.com/warranty>

Remember to register your Elite Screens product at:
www.elitescreens.com/register

CONTACTS

US & Canada Tech Support & Warranty Claim

Please contact us at service@elitescreens.com or call +1 877-511-1211 #3 Service

Europe Tech Support & Warranty Claim

Please contact us at service@elitescreens.eu or call +49-(0) 40-30392958

Asia Tech Support & Warranty Claim

Please contact us at service@elitescreens.com.cn or call +86-(0) 755-8461-7989

Taiwan Tech Support & Warranty Claim

Please contact us at service@elitescreens.com.tw or call +886-(02) 2747-8979

America:

Elite Screens Inc

16410 Manning Way
Cerritos, CA 90703 USA
Tel: +1-562-483-8198 (877-511-1211)
Fax: +1-562-483-8498
info@elitescreens.com
www.elitescreens.com

Asia:

Elite Screens China Corp.

Longxi Duimianling Industry Zone
Longcheng Longgang District,
ShenZhen Guangdong, China
Tel: +86-(0)755-8461-7989
Fax: +86-(0)755-8461-7669
info@elitescreens.com.cn
www.elitescreens.com.cn

Taiwan:

Elite Screens Taiwan Co. Ltd.

No.38, Alley 22, Lane 66,
Sec. 5, Nanjing E. Rd.,
Songshan District, Taipei City 105,
Taiwan
Tel: +886-(02)2747-8979
Fax: +886-(02)2747-8978
info@elitescreens.com.tw
www.elitescreens.com.tw

Europe:

Elite Screens Europe GmbH

Elite Screens Europe GmbH
Lübecker Straße 1
22087 Hamburg, Germany
Tel: +49-40-30392494
Fax: +49-40-49219200
info@elitescreens.eu
www.elitescreens.eu

Elite Screens France S.A.S

11, Allée William Penn
92150 Suresnes, France
Tel: +33-1-45064735
Fax: +33-1-45064735
info.fr@elitescreens.com
www.elitescreens.com/fr

Latin America Contact:

info.la@elitescreens.com

East Asia Contact:

info.ea@elitescreens.com

Japan Contact:

info.japan@elitescreens.com