



Reflexion Series

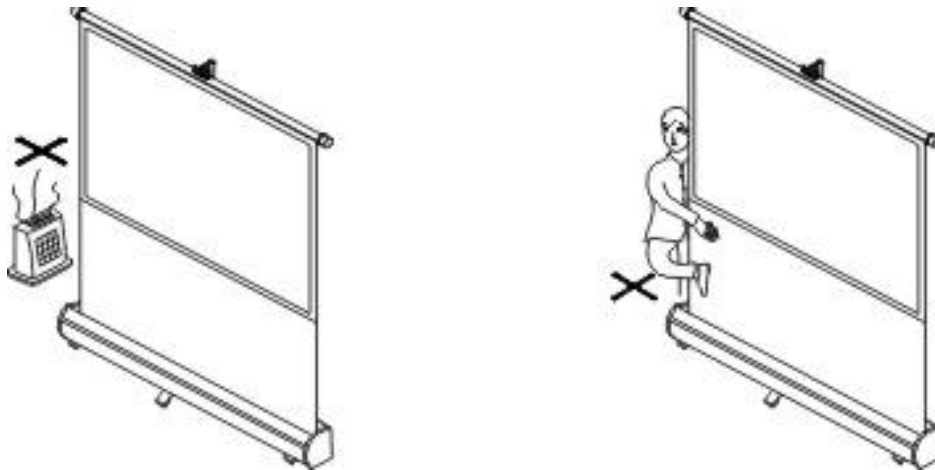
Portable Floor Pull-up Projection Screen

User's Guide

Precautions:

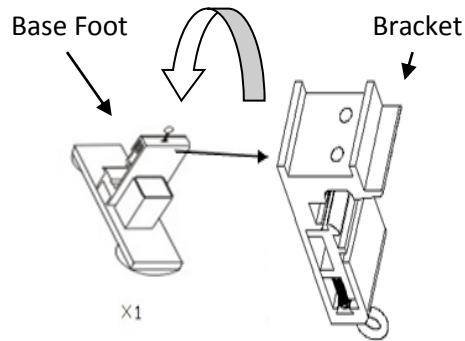
The **Reflexion** portable floor pull-up projection screen series is an easy to use product that has the ability to be used as a free-standing projection screen. For best results, please read the checklist below before using the **Reflexion** projection screen.

- ✓ Use only manufacturer approved accessories with this product.
- ✓ Keep this product dry and away from excessively humid operating conditions.
- ✓ Avoid keeping the screen in direct sunlight; it is destructive to vinyl and plastic.
- ✓ Do not touch the screen with sharp or abrasive objects.
- ✓ In order to maintain cleanliness of the screen, use mild soapy water with a soft cotton cloth and avoid unnecessary skin contact with the material.
- ✓ Do not wash the screen material or its black masking with strong solvents.
- ✓ Keep this product clear from an open flame or other heat sources.
- ✓ The images below are an example of what not to do with the **Reflexion** series.



Components Set up

Example of the installation bracket attached to the side of the base feet.

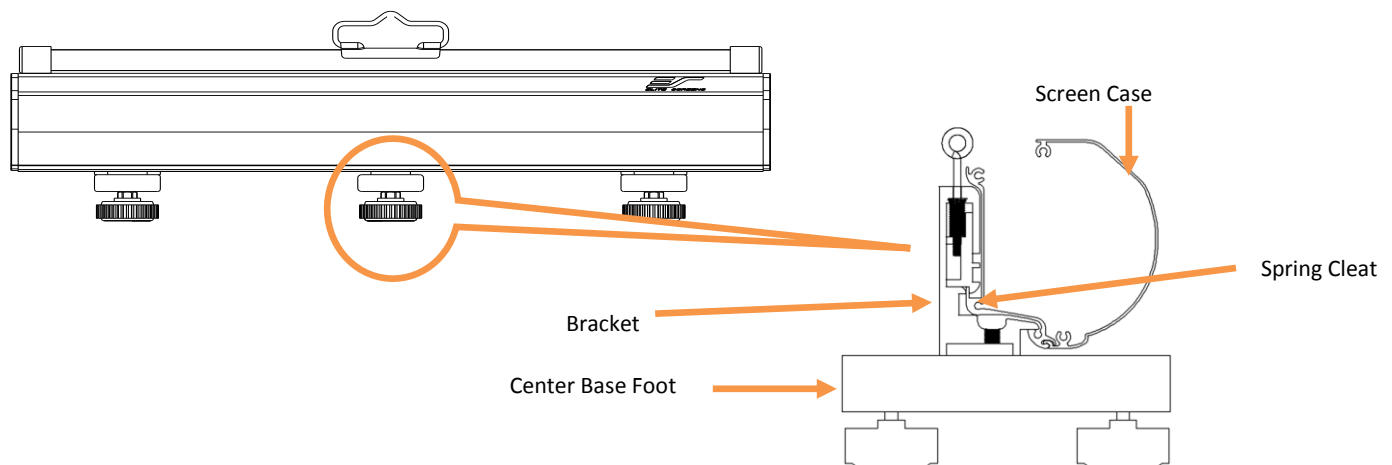
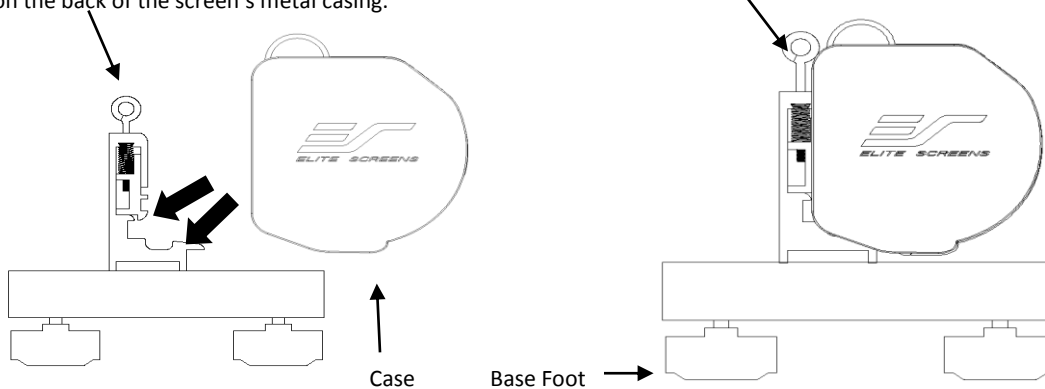


Installation

Each installation bracket has an adjustable spring-mounted cleat that can be loosened by a “loop” or eye-bolt. Pulling on the loop releases the cleat allowing the bracket to attach to the railing and click into place on the back of the casing. Gently ease together the brackets and railing on the back of the metal casing until you hear a “click” and double-check to make sure that the connections are firm.

Pull up on the spring-loaded ring to disengage the cleat on the bracket. Connect the cleat with the sliding rail on the back of the screen’s metal casing.

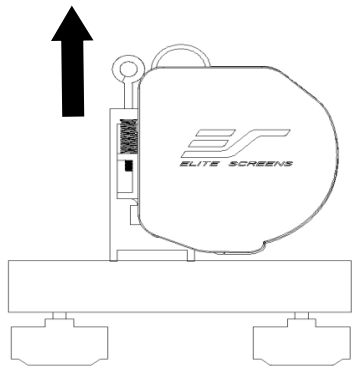
Release the ring and “click” the metal casing into position with the bracket.



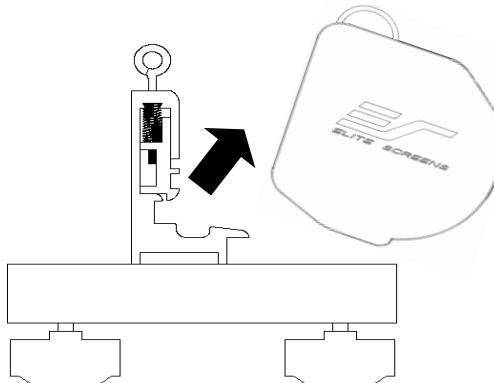
Detach the screen case from the base feet

Pull up the loop (eye-bolt) to release the spring-cleat and tilt the projection screen's metal casing forward away from the brackets. Lift the entire projection screen assembly up and away from the bracket/cleat assembly.

Pull up the suspension loop to disengage

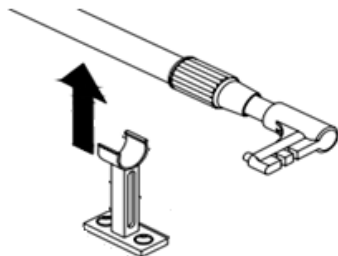


Lift screen assembly up and away from the base foot

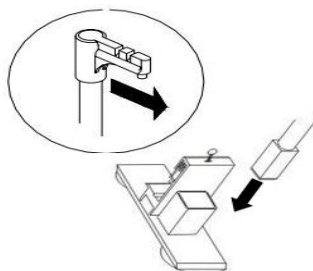


Erecting the upright support

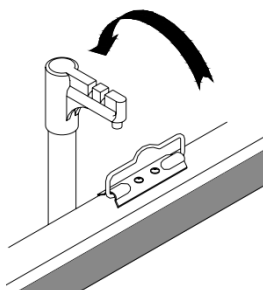
1. Remove the telescoping upright support from its cradle.



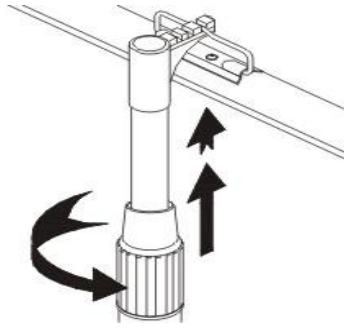
2. Insert the upright support into the socket on the center base foot.



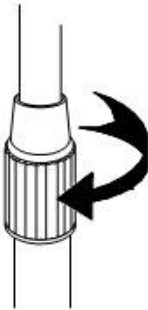
3. Hang the suspension handle of the screen from either of the notches of the upright support.



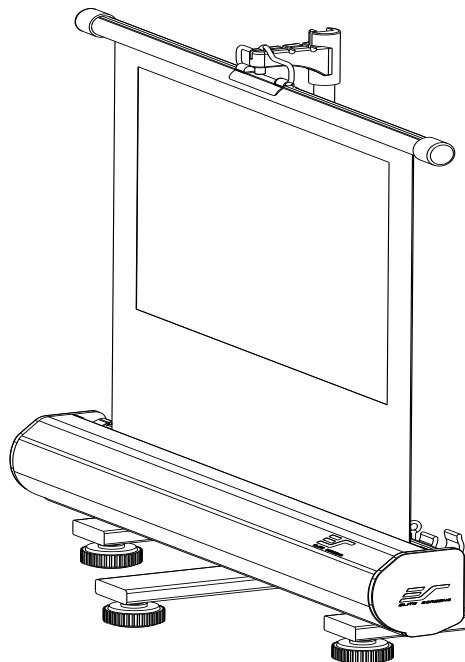
4. Twist the locking ring counter-clockwise to loosen the telescoping function of the upright support and raise the screen to its desired level.



5. Rotate the locking ring clockwise to lock the upright support at its desired height setting.

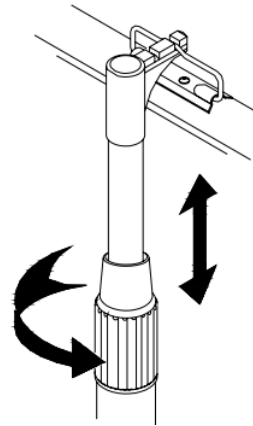


6. Here is a front view of the **Reflexion** projection screen when the set-up is complete.

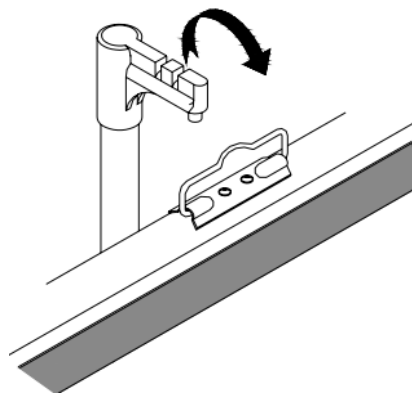


Retracting the screen

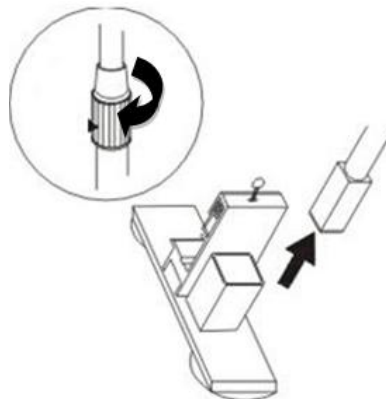
1. Take hold of the top span of the upright support and with your free-hand, twist the locking ring in the counter-clockwise direction. This will release the lock and allow the upright support to telescope back into its compact form.



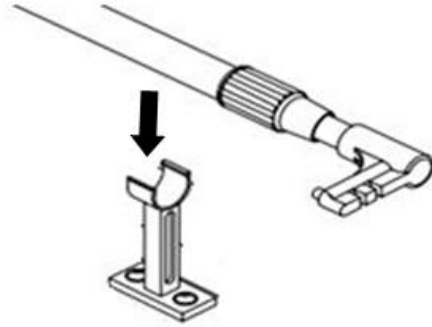
2. Lift the support handle up and out of the “notches” and guide the material back down into the casing. Release the handle when the screen material has fully retracted.



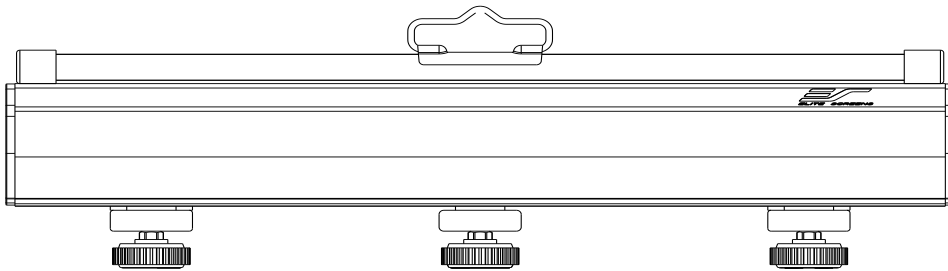
3. Rotate the locking ring clockwise to secure the upright support and remove it from the socket on the center base foot.



4. Return the upright hook to its cradle.



5. The **Reflexion** is now packed and ready for its next use.



For US Customer Service and Technical Support questions, please contact Elite Screens at:

Telephone: (877) 511-1211

Fax: +1-(562) 926-8433

service@elitescreens.com

techsupport@elitescreens.com

Remember to register your product at: www.elitescreens.com/register