



In-Ceiling Electric Motorized Front Projection Screen

Evanesce B Series

User's Guide

Important Safety & Warning Precautions

Make sure to read this user's guide and follow the procedures below.

Caution: The screen's Black Top Drop is already set to its maximum drop distance. There is NO extra Black Top Drop in the roller. Please be aware of this as it will void your warranty with Elite Screens. Unapproved changes or modifications (except for cutting the power cord for hardwire installations) to this unit are prohibited and will void your warranty. For more information, please contact our Technical Support Department at (877) 511-1211 Ext. 604.

- Please retain this user's guide for future reference.
- To avoid damaging the unit, do not use with any unauthorized accessories not recommended by the manufacturer.
- Handle the unit carefully during transportation to avoid any damages.
- To ensure safe and reliable operation, direct connection to a properly grounded power source is advised.
- The power outlet supplying power to the unit should be close to the unit and easily accessible.
- Do not install the unit on uneven, inclined surfaces;
- Do not install in damp places to avoid an electric shock or short circuit.
- Do not place any heavy objects over the power cord.
- Position the power cord properly to avoid creating a trip obstacle.
- To avoid an electrical shock or fire, due to a loose contact or short circuit, do not overload the power cord.
- The internal & external parts of this unit are not end user serviceable. Do not attempt to disassemble this unit by yourself. No one except authorized technicians can open and make repairs to this unit.
- Make sure the power source that this unit is connected to has a continuous power flow.
- If there is need to use an extension cord, make sure the cord has an equal rating as the appliance to avoid over heat.
- Do not handle the power plug when your hands are wet or your feet are in contact with water.
- Properly dispose of this equipment according to the environmental regulations in your area when product is no longer of service.

Do not use this unit under the following circumstances.

- Disconnect the power cord under the conditions of heavy rain, wind thunder or lightning.
- Avoid direct sun light, rain shower and moisture.
- Keep away from fire sources and high temperature to prevent this device from overheating.
- Cut off the power supply first before transportation or maintenance.
- To avoid possible injury and/or an electric shock, do not attempt to use this screen if there is obvious damage or if there are any evident broken parts.

Installation Warning

The instructions provided in this user's guide are for reference only. Please consult a professional installation company for further installation and safety advice. The installer must insure that proper mounting hardware is used to provide adequate strength suitable for the installation. Elite Screens is not liable for any faulty installations. For limit adjustment instructions, please contact our Technical Support Department at (877) 511-1211 Ext. 604

The Screen's **Top Black Drop** is already set to its maximum drop distance. There is **NO** extra top black drop in the roller. Please be aware of this as it will void the limitation of your warranty.

Individual modifications to this product are prohibited and will void the warranty with the manufacturer. Please contact Elite Screens Customer Service for any questions.

NOTE:

This equipment has been tested and found to comply with the limits for a Class B digital device, pursuant to Part 15 of the FCC Rules.

These limits are designed to provide reasonable protection against harmful interference in a residential installation. This equipment generates and can radiate radio frequency energy and, if not installed and used in accordance with the instructions, may cause harmful interference to radio communications.

However, there is no guarantee that the interference will not occur on a particular installation. If this equipment causes harmful interference to radio or television reception, which can be determined by turning the equipment off and on, the user is encouraged to try to correct the interference by one or more of the following measures.

- ✓ **Reorient or relocate the receiving antenna of the device which may be causing the interference.**
- ✓ **Increase the separation between the screen and the device's receiver.**
- ✓ **Connect the equipment into a different power outlet other than the device.**

Pre-Installation

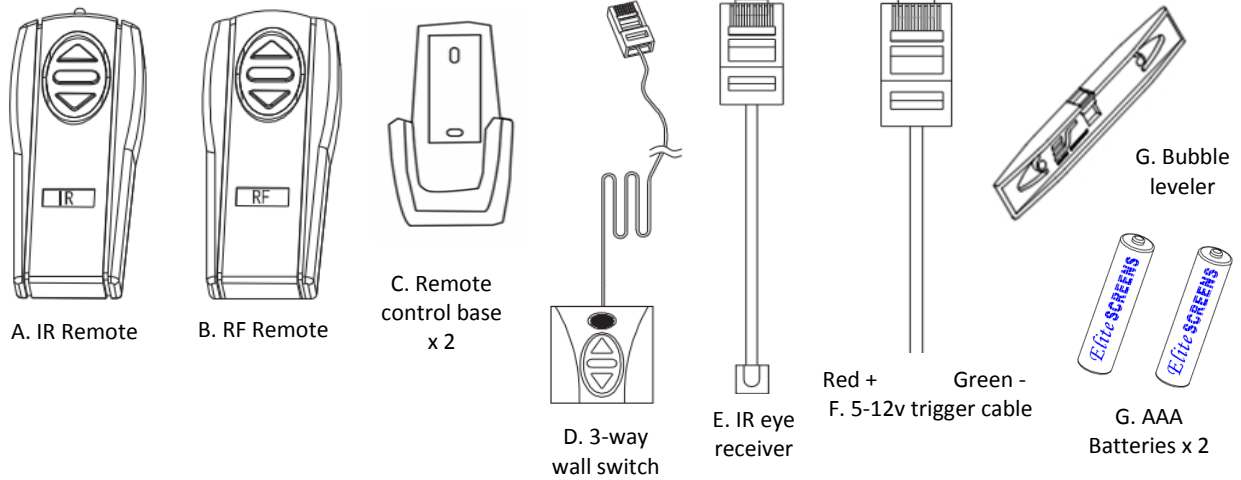
1. Carefully unpack the screen.
2. Always handle the screen in a leveled position on a clean surface.
3. In order to protect the screen from exposure to stains, keep the screen out of contact with foreign particles such as dust, sawdust, and/or liquids.

NOTE

Regardless of the mounting method, the screen should be securely supported so that the vibration or pulling on the viewing surface will not cause the casing to become loose or fall. The installer must insure the fasteners that are used are of adequate strength and suitable for the installation location.

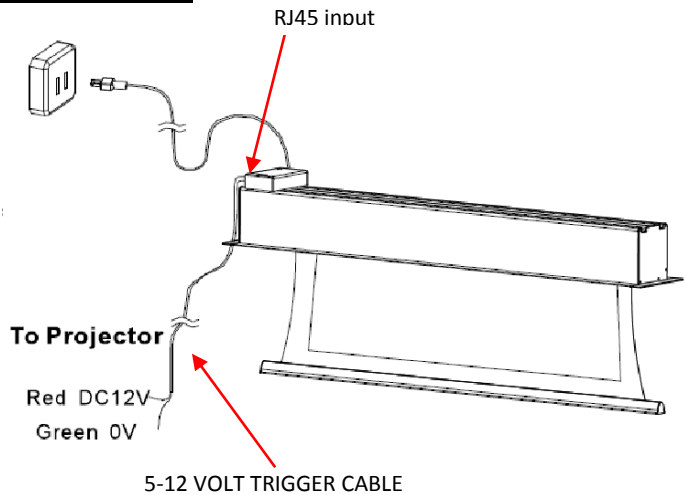
Accessories for Evanesce B Series

Please make sure all accessories listed below are included before proceeding.

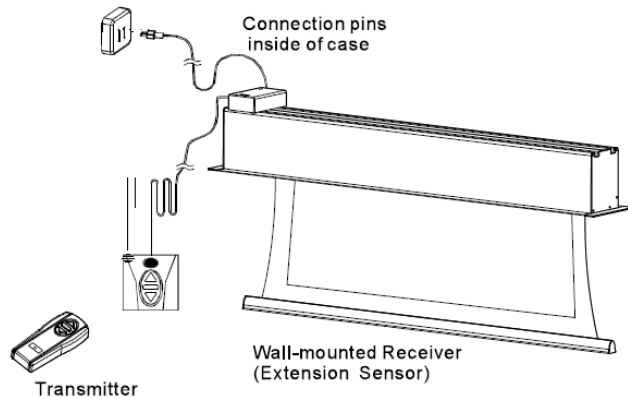


Control System for Evanesce B Series

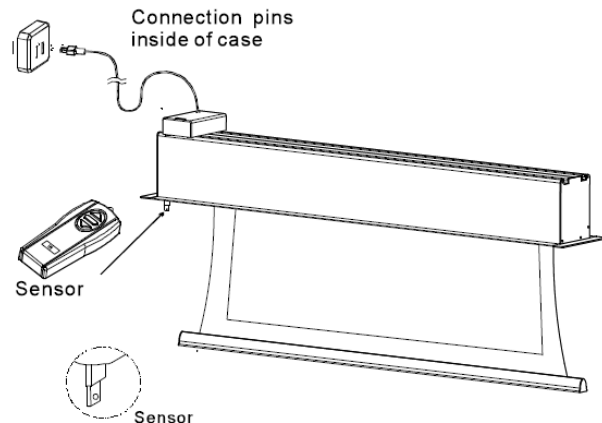
1. 5-12V Trigger: The built-in 5-12V trigger input allows your screen to synchronize its drop & rise with the projector's power cycle. The screen deploys when the projector powers up and will retract when the projector powers down. The 5-12 volt adaptor connects to your projector's trigger output via a separate cable that may or may not be provided by the manufacturer of the projector. The trigger feature will not work without an output cable from the projector, but it can be tested by connecting the Red (+) and Green (-) cable to a 9-volt battery.



2. 3-Way Wall Switch: The 3-way wall switch is a wall mount control box with an up/stop/down button and plugs directly into the screen's RJ-45 input.

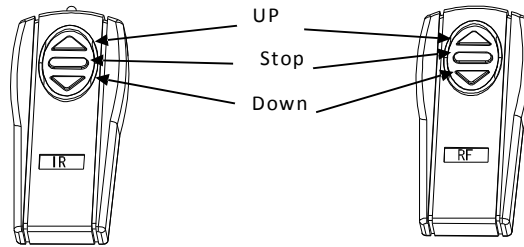


3. IR "Eye" Receiver: plugs directly into the screen's RJ-45 input to present a low profile line-of-sight control option for your IR remote control even in a recessed ceiling installation.



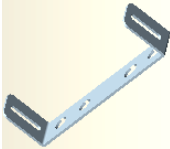








4. IR Remote Control: The Infrared functions by direct line of sight contact with a beam range of 30 feet.

5. RF Remote Control: The radio waves eliminate the need for a direct line of sight with a range of 100 feet.



Hardware Parts List for Evanesce B Series

Please make sure all parts listed below are included before proceeding with the installation.

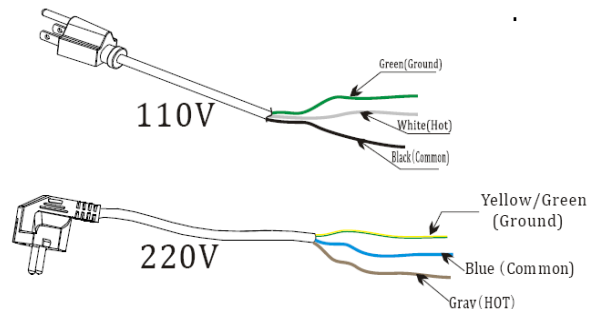
| Hardware Parts List for above ceiling installation | | |
|---|---|---|
| <p>A. Suspension Bracket x 2</p>  | <p>B. Suspension Bar x 4</p>  | <p>C. End Flange x 2</p>  |
| <p>C. M8x16mmx1.5mm washer x 8</p>  | <p>D. M6x13mmx2mm washer x 8</p>  | <p>E. M8 nut x 4</p>  |
| <p>F. M6 nut x 4</p>  | <p>G. M8x40mm hex screw x 4</p>  | <p>H. M6x20mm screw x 4</p>  |

Installation Instructions

The Evanesce B allows access for above or below ceiling installation. Please follow the instructions described in the following steps below for your type of installation.

Power

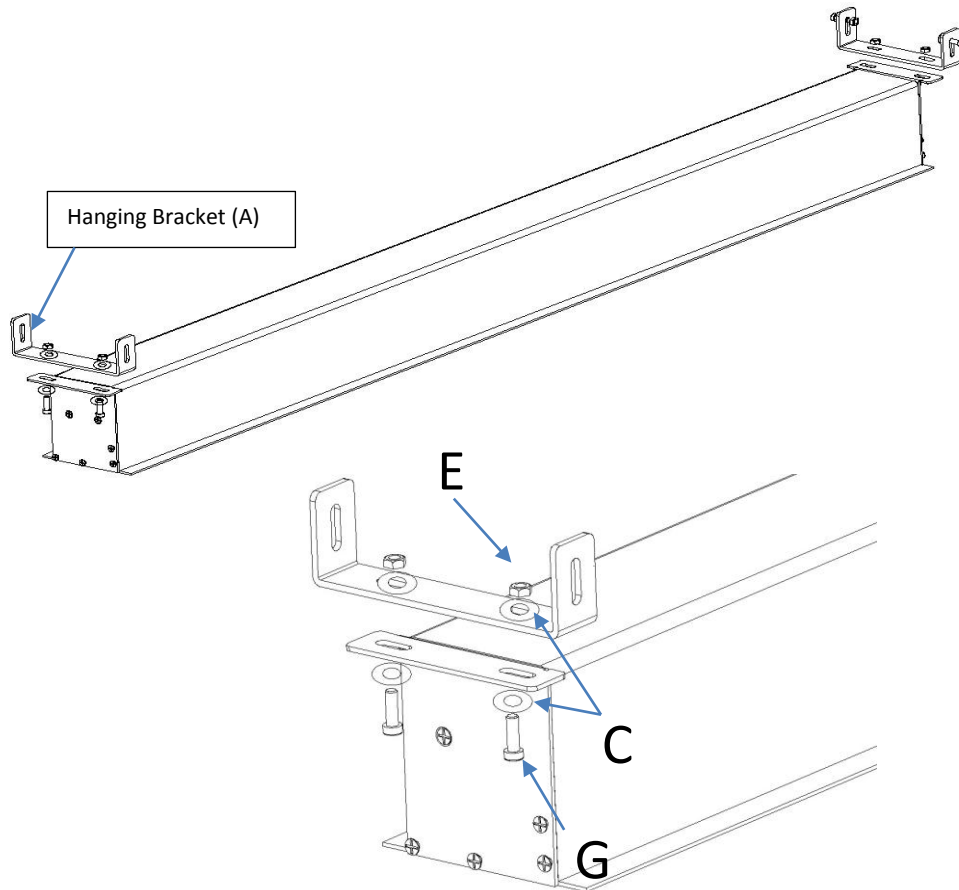
The Aerie Tension Series includes a 3-Prong Power Cord for use in a non-concealed power outlet. If your installation will be entirely concealed (including power outlet), Elite Screens strongly recommends a hardwire connection. Please refer to the image below for both 110v & 220v wiring information.



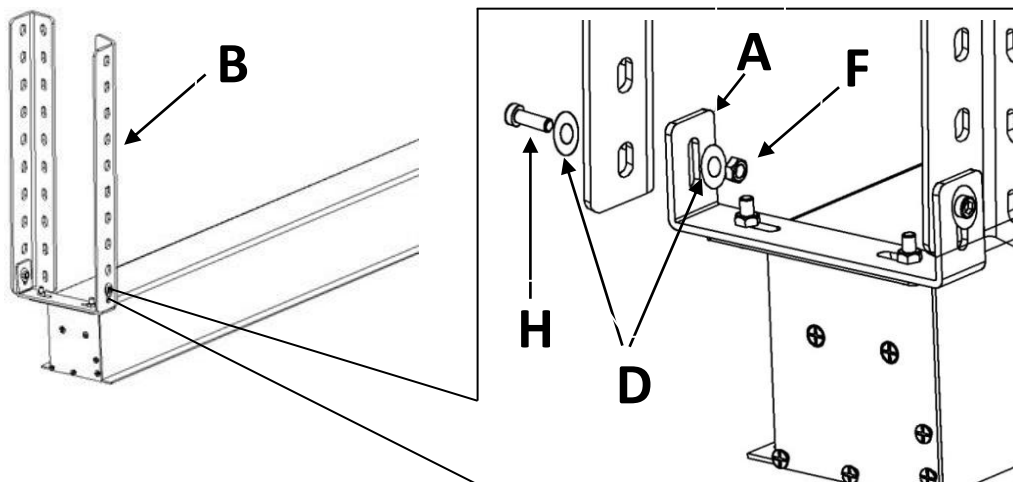
A. Above ceiling installation instructions

Assembly

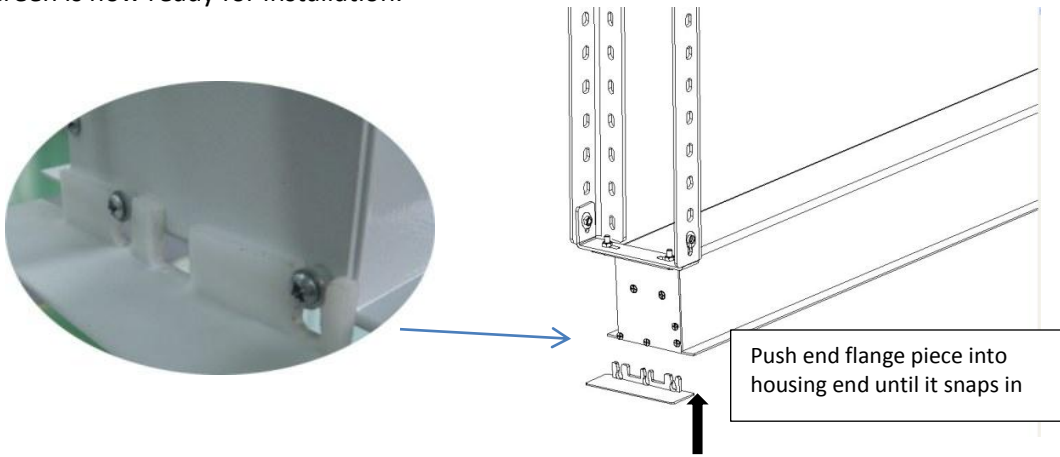
1. Place the **hanging bracket (A)** over the left and right side ends of the housing and secure each one using the **M8x40mm hex screw (G)**, **M8x16mmx1.5mm washers (C)** and **M8 nut (E)** as shown below.



2. Place the **Suspension Bar (B)** over the **Hanging Bracket (A)** and align with the hole as shown below according to the height requirement for your installation area. Secure the **Suspension Bar (B)** with the **M6x20mm Screw (B)**, **M6x13mmx2mm Washer (E)** and the **M6 Nut (F)**. Repeat the process for the other side.

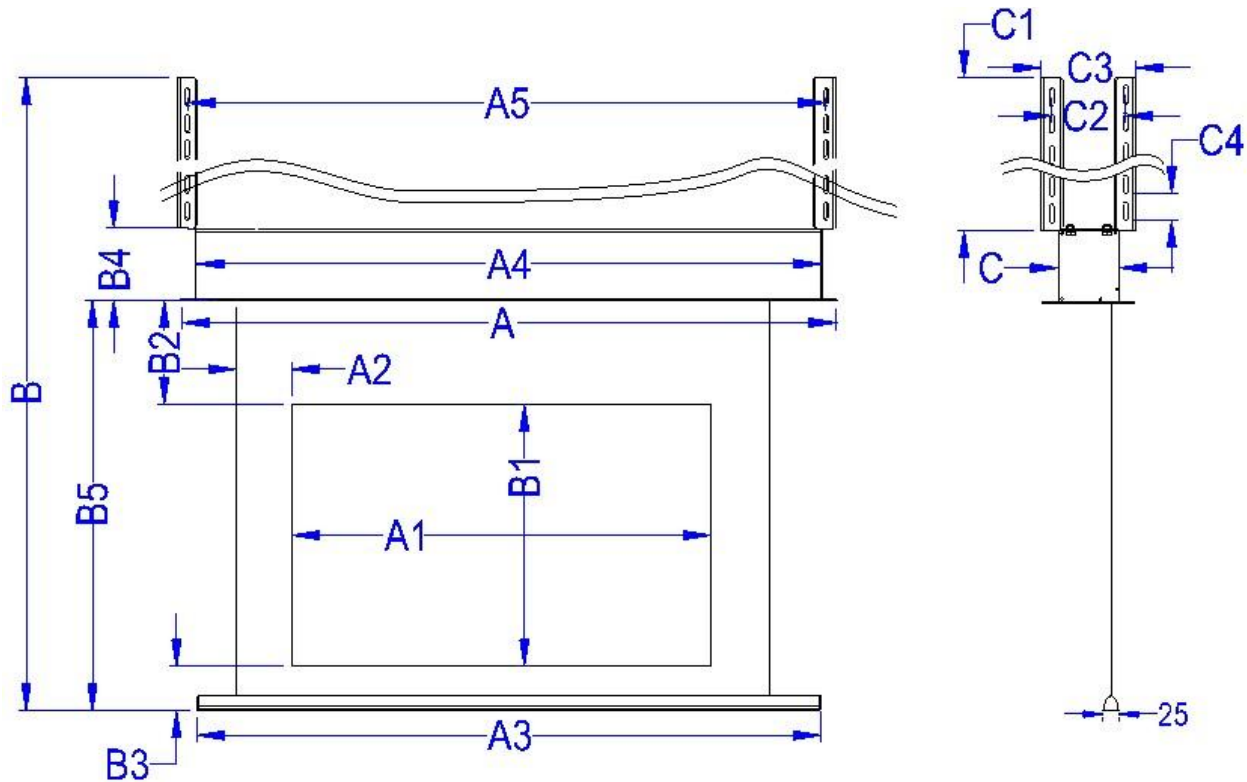


3. Insert the **end flange piece (C)** on the edge of the housing as shown below to complete the assembly. The screen is now ready for installation.





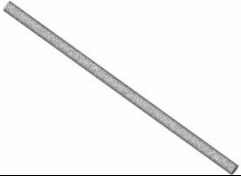





Dimensions Table: For Above ceiling installation reference

| Unit:mm | | | | | | | | | | | | | | | | | | |
|--------------|---------------------------------|-------------------------|-----------------|------------------------|------------------------|------------------|-------|--------------------|------------------|-------------------------------|-----|------------------|-----------------------------------|----------------|------|-----|-----|-----|
| Model Number | Nominal Diagonal (Aspect Ratio) | Full Housing Length (A) | View Width (A1) | L/R Black Masking (A2) | Weight Bar Length (A3) | Case Length (A4) | A5 | Overall Height (B) | View Height (B1) | Top Black Masking Border (B2) | B3 | Case Height (B4) | Screen Fully Deployed Height (B5) | Case Width (C) | C1 | C2 | C3 | C4 |
| EB100HW-E8 | 100" (16:9) | 2471 | 2214 | 50 | 2406 | 2411 | 2441 | 2544 | 1245 | 203 | 76 | 95 | 1524 | 80 | 925 | 145 | 180 | 50 |
| EB120HW-E8 | 120" (16:9) | 2914 | 2657 | 50 | 2849 | 2854 | 2884 | 2793 | 1494 | 203 | 76 | 95 | 1773 | 80 | 925 | 145 | 180 | 50 |
| Unit:inch | | | | | | | | | | | | | | | | | | |
| Model Number | Nominal Diagonal (Aspect Ratio) | Full Housing Length (A) | View Width (A1) | L/R Black Masking (A2) | Weight Bar Length (A3) | Case Length (A4) | A5 | Overall Height (B) | View Height (B1) | Top Black Masking Border (B2) | B3 | Case Height (B4) | Screen Fully Deployed Height (B5) | Case Width (C) | C1 | C2 | C3 | C4 |
| EB100HW-E8 | 100" (16:9) | 97.3 | 87.2 | 2.0 | 94.7 | 94.9 | 96.1 | 100.2 | 49.0 | 8.0 | 3.0 | 3.7 | 60.0 | 3.1 | 36.4 | 5.7 | 7.1 | 2.0 |
| EB120HW-E8 | 120" (16:9) | 114.7 | 104.6 | 2.0 | 112.2 | 112.4 | 113.5 | 110.0 | 58.8 | 8.0 | 3.0 | 3.7 | 69.8 | 3.1 | 36.4 | 5.7 | 7.1 | 2.0 |



B. Below ceiling installation instructions

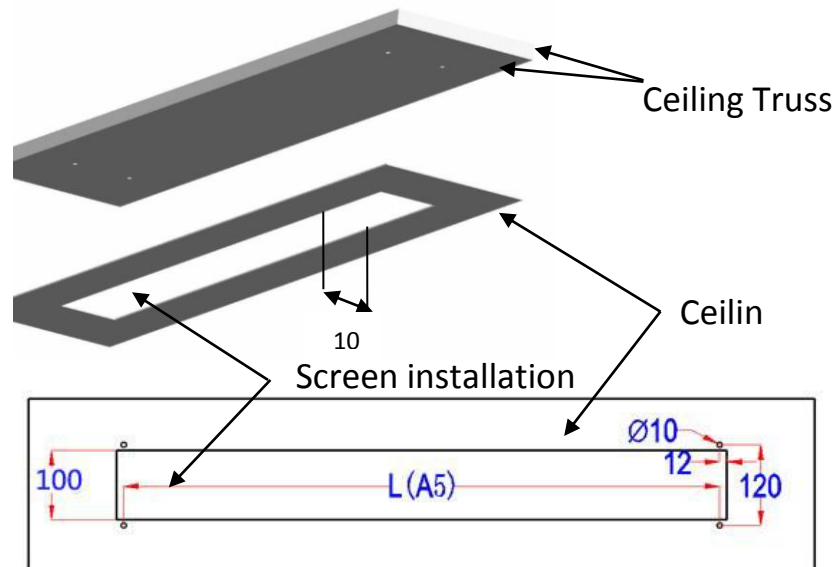
Please make sure all parts listed below are included before proceeding with the installation.

| Hardware Parts List for below ceiling installation | | | |
|---|---|--|---|
| A. End Flange x 2  | B. Hanging bracket x 2  | C. Threaded rod x 4  | D. Socket wrench x 1  |
| E. M8x16mmx1.5mm washer x 28  | F. M8 nut x 20  | G. M8 Top expanding bolt x 4  | H. M8x40mm hex screw x 4  |

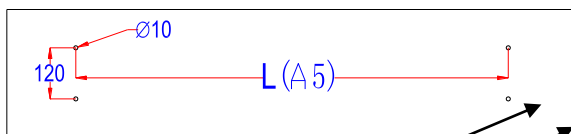
1. Measure and cut the ceiling installation slot:

The width should not exceed 100mm and not less than the width of the screen's housing. Measure the length of your screen to determine the length.

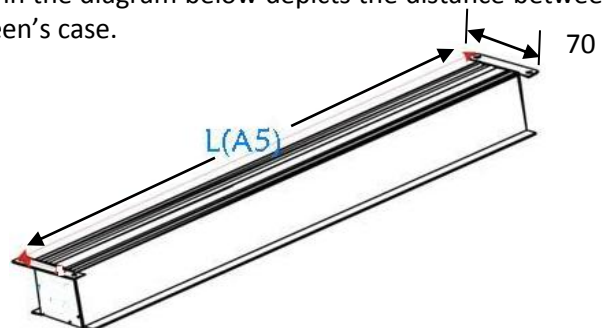
Note: The length of the installation space is not greater than the screen size table (C3), and the width is not less than the screen size table (A5). Consult the dimensions table on page 9 (C1) in regards to accommodating the screen casing.



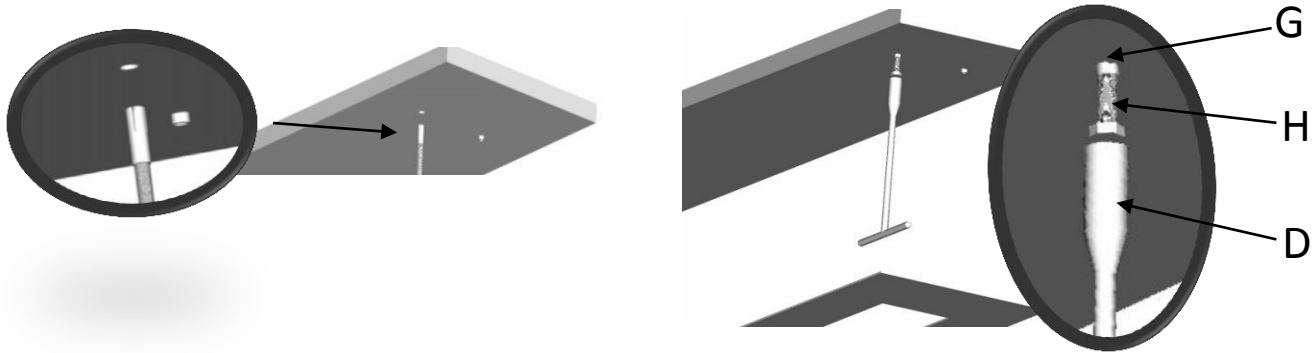
- Drill 4 holes in the ceiling that correspond with the attachments on the various casing sizes. The width should be 120mm. The length of (A5) in the diagram below depicts the distance between the holes located on each ear end of the screen's case.



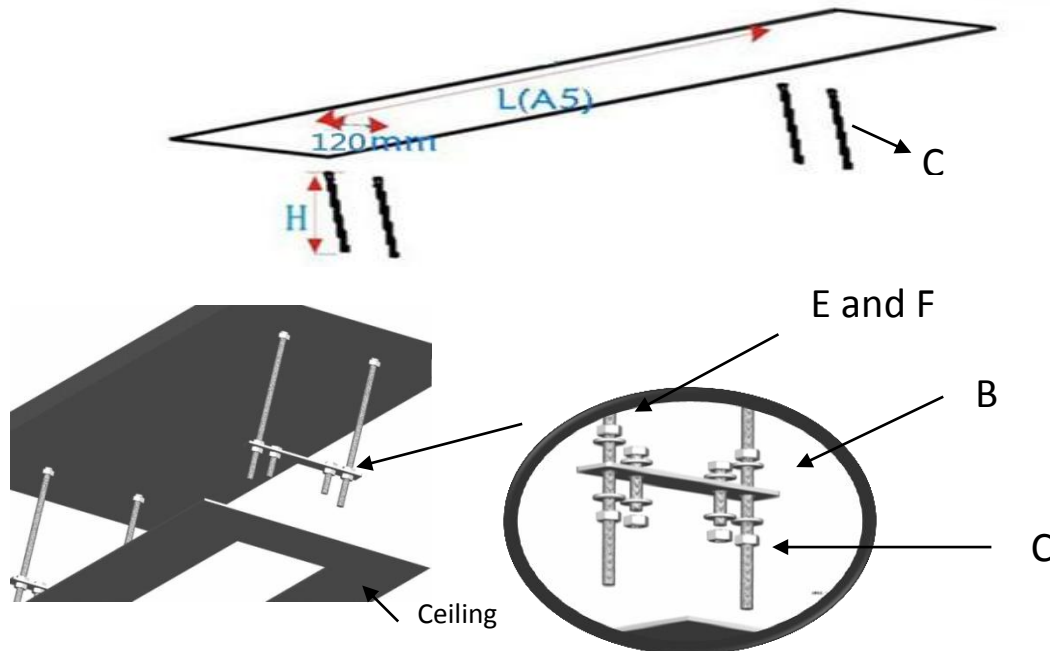
Install screw holes
The ceiling wall



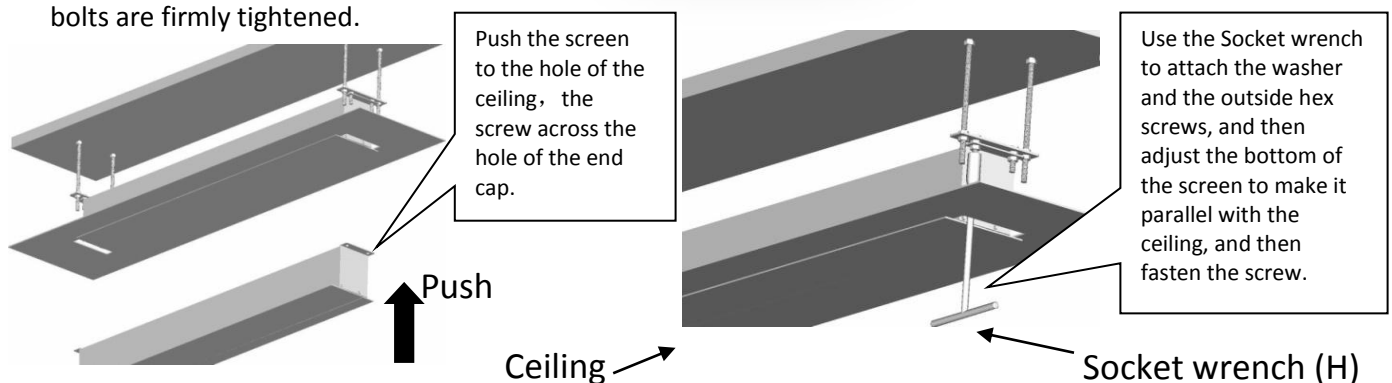
3. The **M8 expanding bolts (G)** mount into thick wood beams, stone or concrete and will support the screen. Use the **Socket wrench (D)** to attach the **M8x40mm hexagonal screws**. The expanding bolts should be firmly tightened and tested to make sure that they will hold the weight of the screen.



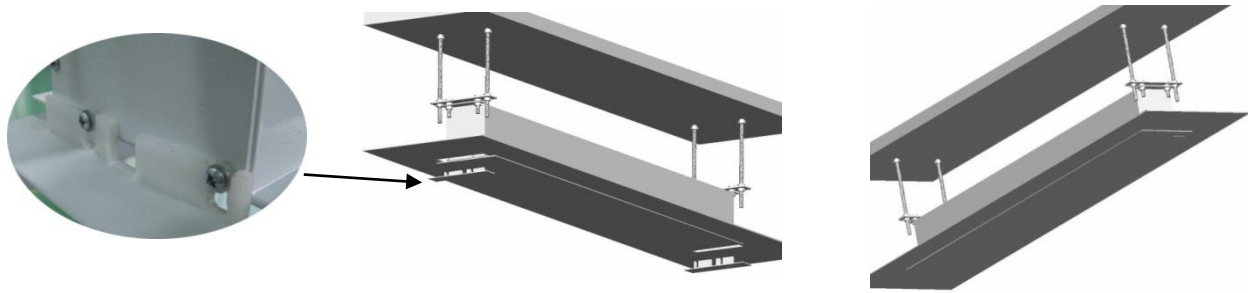
4. Insert the **threaded rods (C)** through the **M8 expanding bolts** and then attach the **M8x40mm hexagonal screws** with the **washer (E)**. Last put the **Hanging Bracket (B)** through the threaded rod equal to the height of the screen's housing. Once they are firmly in place (as shown below) make sure that they will hold the weight of the screen.



5. Push the screen up into the space. Use the **threaded rods (C)** to attach the screen assembly to the ceiling. The **hexagonal screws (E)** will connect the screen to the rest of the assembly. Once firmly in place, use the **nuts (F)** to ensure a firm connection. Use the **socket wrench (D)** to make sure that the bolts are firmly tightened.

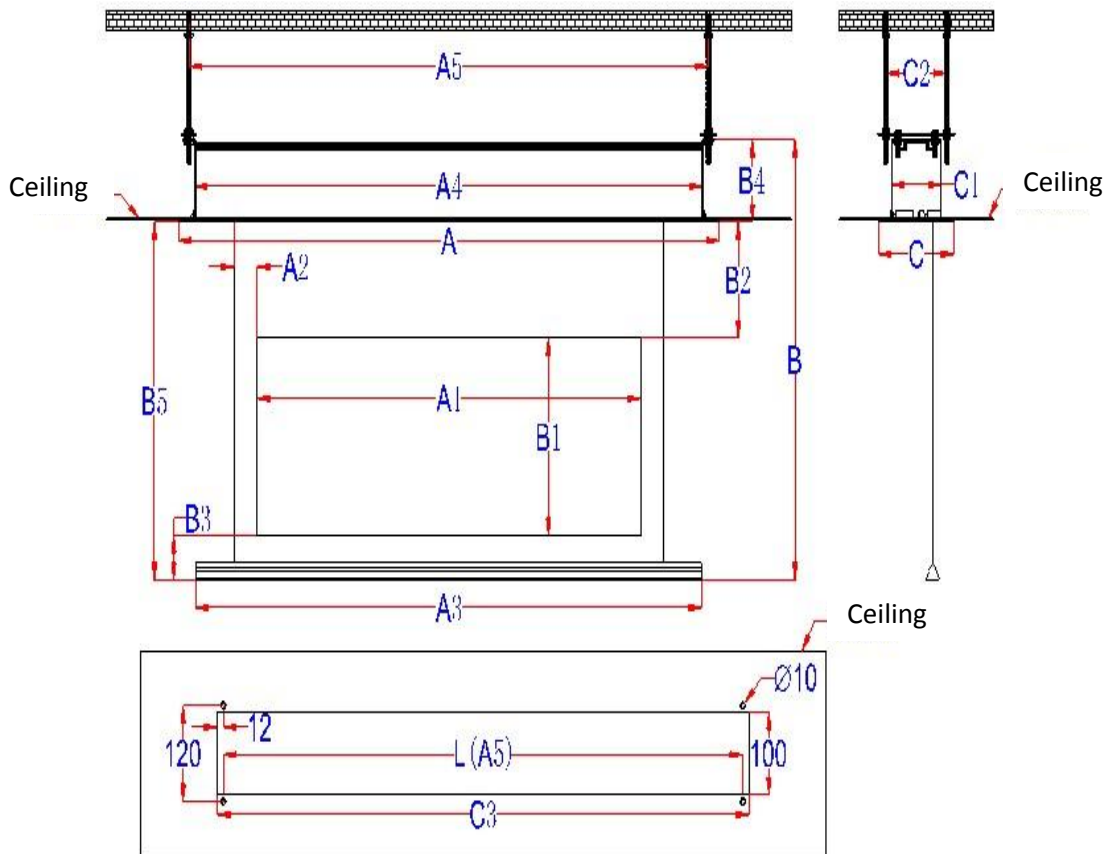


6. Install **end flange cover panel (A)** between the gap and the screen to complete the installation.



Dimensions Table: For below ceiling installation reference

| Unit:mm | | | | | | | | | | | | | | | | | |
|--------------|---------------------------------|-------------------------|-----------------|------------------------|------------------------|------------------|-------|--------------------|------------------|-------------------------------|-----|------------------|-----------------------------------|-----|-----|-----|-------|
| Model Number | Nominal Diagonal (Aspect Ratio) | Full Housing Length (A) | View Width (A1) | L/R Black Masking (A2) | Weight Bar Length (A3) | Case Length (A4) | A5 | Overall Height (B) | View Height (B1) | Top Black Masking Border (B2) | B3 | Case Height (B4) | Screen Fully Deployed Height (B5) | C | C1 | C2 | C3 |
| EB100HW-E8 | 100" (16:9) | 2471 | 2214 | 50 | 2406 | 2411 | 2441 | 1619 | 1245 | 203 | 76 | 95 | 1524 | 110 | 80 | 120 | 2461 |
| EB120HW-E8 | 120" (16:9) | 2914 | 2657 | 50 | 2849 | 2854 | 2884 | 1868 | 1494 | 203 | 76 | 95 | 1773 | 110 | 80 | 120 | 2904 |
| Unit:inch | | | | | | | | | | | | | | | | | |
| Model Number | Nominal Diagonal (Aspect Ratio) | Full Housing Length (A) | View Width (A1) | L/R Black Masking (A2) | Weight Bar Length (A3) | Case Length (A4) | A5 | Overall Height (B) | View Height (B1) | Top Black Masking Border (B2) | B3 | Case Height (B4) | Screen Fully Deployed Height (B5) | C | C1 | C2 | C3 |
| EB100HW-E8 | 100" (16:9) | 97.3 | 87.2 | 2.0 | 94.7 | 94.9 | 96.1 | 63.7 | 49.0 | 8.0 | 3.0 | 3.7 | 60.0 | 4.3 | 3.1 | 4.7 | 96.9 |
| EB120HW-E8 | 120" (16:9) | 114.7 | 104.6 | 2.0 | 112.2 | 112.4 | 113.5 | 73.5 | 58.8 | 8.0 | 3.0 | 3.7 | 69.8 | 4.3 | 3.1 | 4.7 | 114.3 |



For local Elite Screens contact or Technical Support, please visit

www.elitescreens.com