



Dual Purpose Projection Screen

WhiteBoardScreen™ Series

User's Guide



Parts List for WhiteBoardScreen™

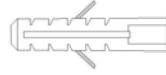
Please make sure all parts listed are included before proceeding with installation



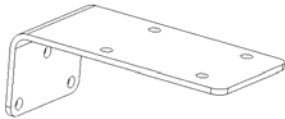
a



b



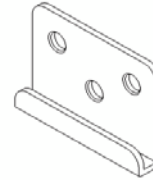
c



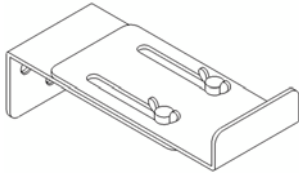
d



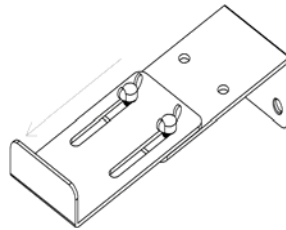
e



f

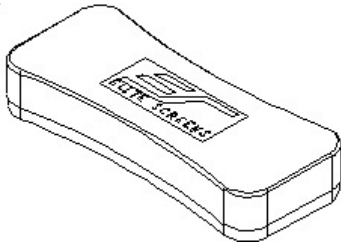


g

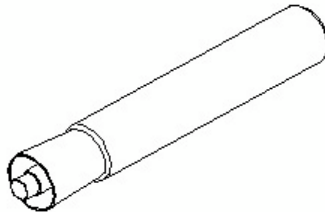


h

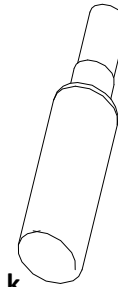
G and H are not actual individual parts included but configurations only by combining parts (d) and (e) with the butterfly screw



i



j



k

Note: The WhiteBoardScreen™ Series eraser should only be used for the WhiteBoardScreen™.

Parts List

- a. Qty 4 – Butterfly screw
- b. Qty 12 – Wall screw
- c. Qty 12 – Hollow wall (or drywall) anchor
- d. Qty 2 – Top hanging wall brackets (to the wall)
- e. Qty 2 – Top hanging white board brackets (to the white board)
- f. Qty 2 – Bottom hanging bracket
- g. For white board diagonal size 60 (4:3) inches
- h. For white board diagonal 80 (4:3), 96 (16:9) inches.
- i. Qty 2 – white board eraser
- j. Qty 2 – Dry-erase pens
- k. Qty 1 – WhiteBoardScreen™ cleaner

Installation

1. Mark the location the WhiteBoard™ screen will be installed and drill your holes for all Top Hanging Wall Brackets (**fig. 1**) and Bottom Frame Hanging Brackets (**fig. 2**)
2. Attach the Top Hanging White Board Brackets (**fig. 3**) to the Top Hanging Wall Brackets (**fig. 1**) with the Butterfly Screws according to the size of the WhiteBoardScreen™ as specified in **fig. 4 and 5** below.
3. Next, affix the Top Hanging Wall Brackets (**fig. 1**) and the Bottom Frame Hanging Brackets (**fig. 2**) to the drilled locations and install the wall screws (**fig. 6**).
4. Lastly, hang the WhiteBoardScreen™ on the brackets (**fig. 7**).

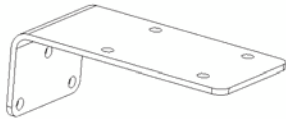


Fig. 1

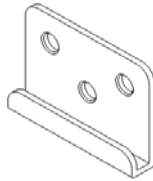


Fig. 2



Fig. 3

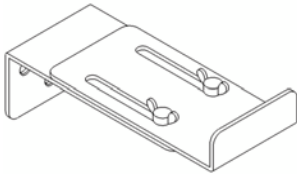


Fig. 4

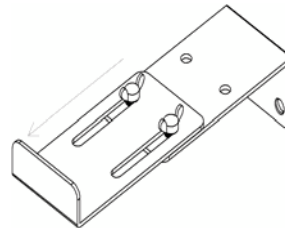


Fig. 5

Note:

Fig. 4 Bracket configuration for white board 60 inch diagonal (4:3) screens

Fig. 5 Recommended Bracket configuration for white board 80 inch (4:3) and 96 inch (16:9)

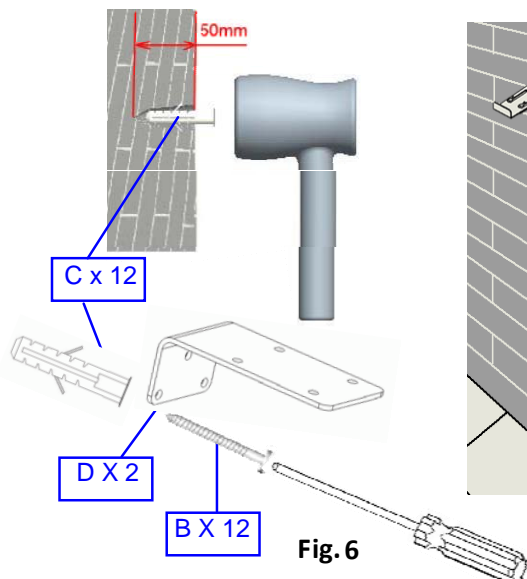


Fig. 6

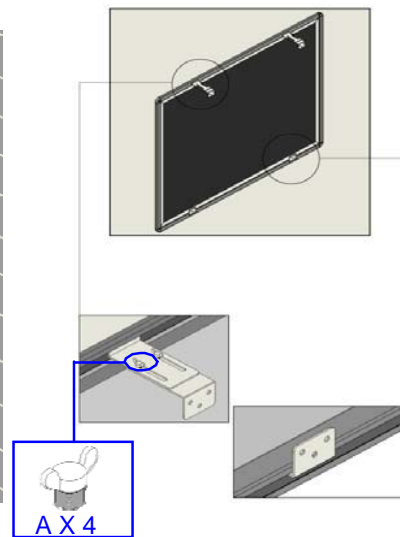
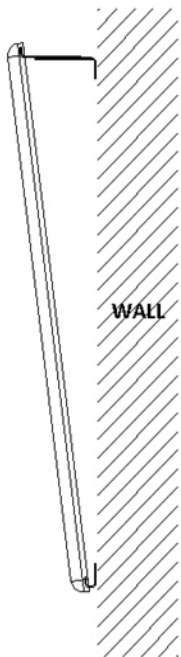
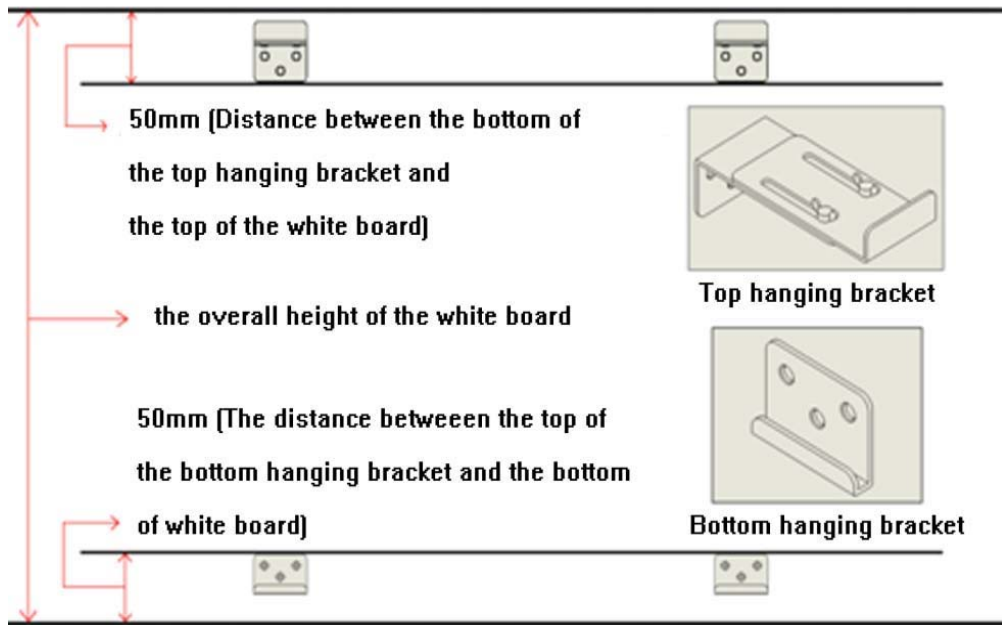
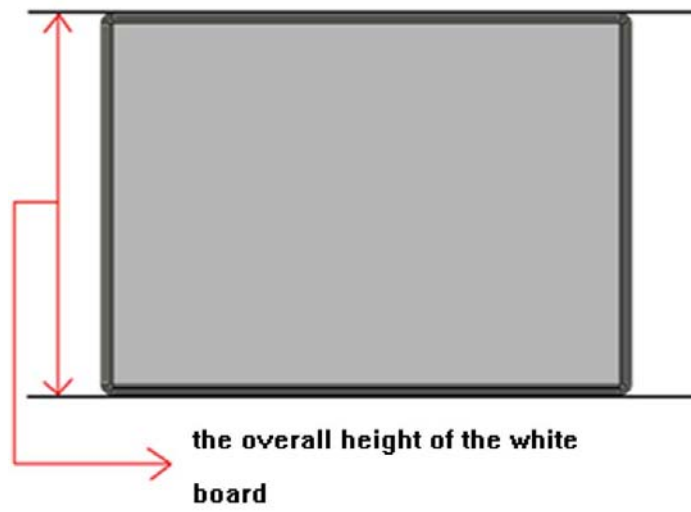
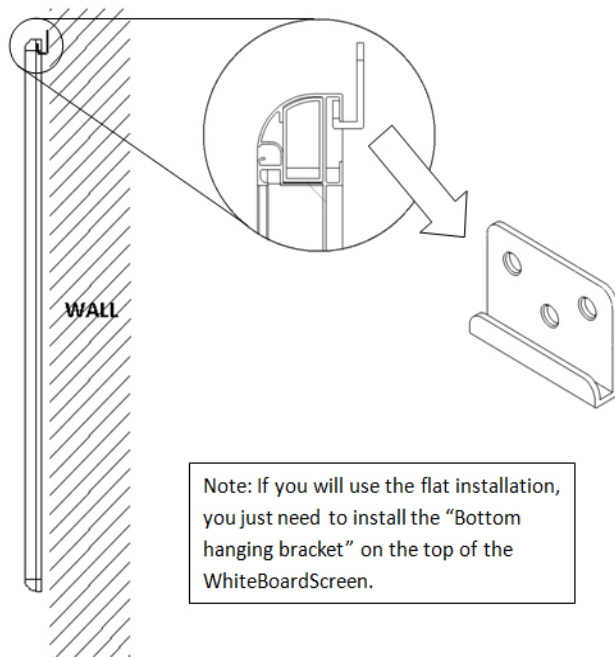


Fig. 7



Desktop Projector Mode



Overhead Projector Mode

Note: If you will use the flat installation, you just need to install the "Bottom hanging bracket" on the top of the WhiteBoardScreen.

Recommended Installation Locations for desktop and overhead projector installations

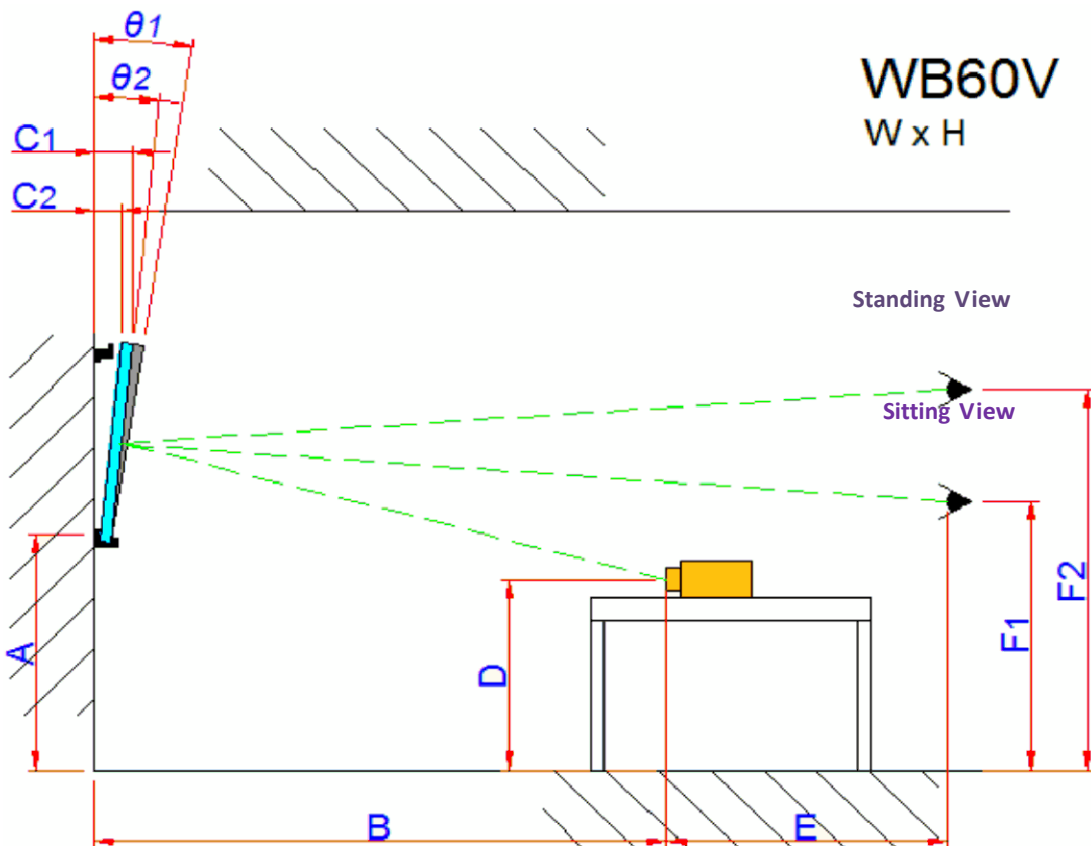
The StarBright4 material used in this WhiteBoardScreen™ has a special high gain that is angular reflective. In order to take full advantage of this special material, it is important that the WhiteBoardScreen™ is installed properly so that the projected image is viewed within the recommended viewing angle.

It is normal for some viewing areas to be less bright than the center due to the nature of the screen material. It is not a defect and minor “hot spotting” will occur as a result.

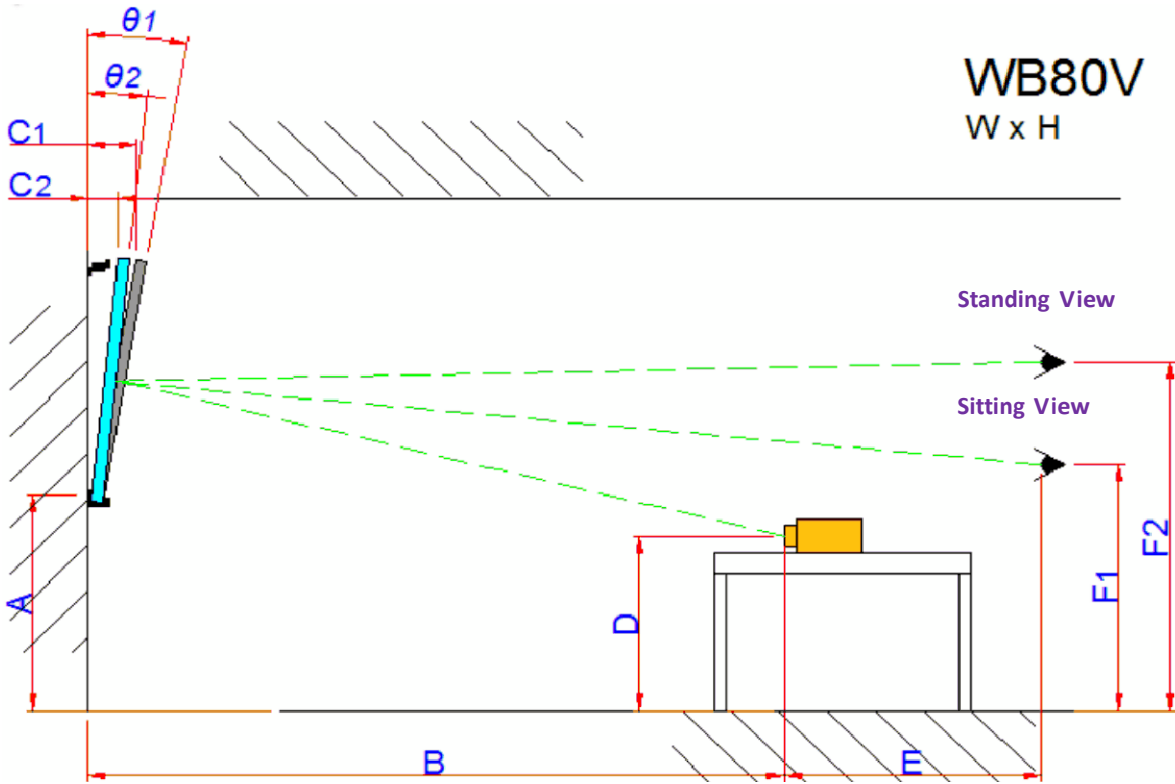
The below charts will assist in determining several factors to consider to help you with your installation. Please note that these are only recommendations.

Desktop projector installation

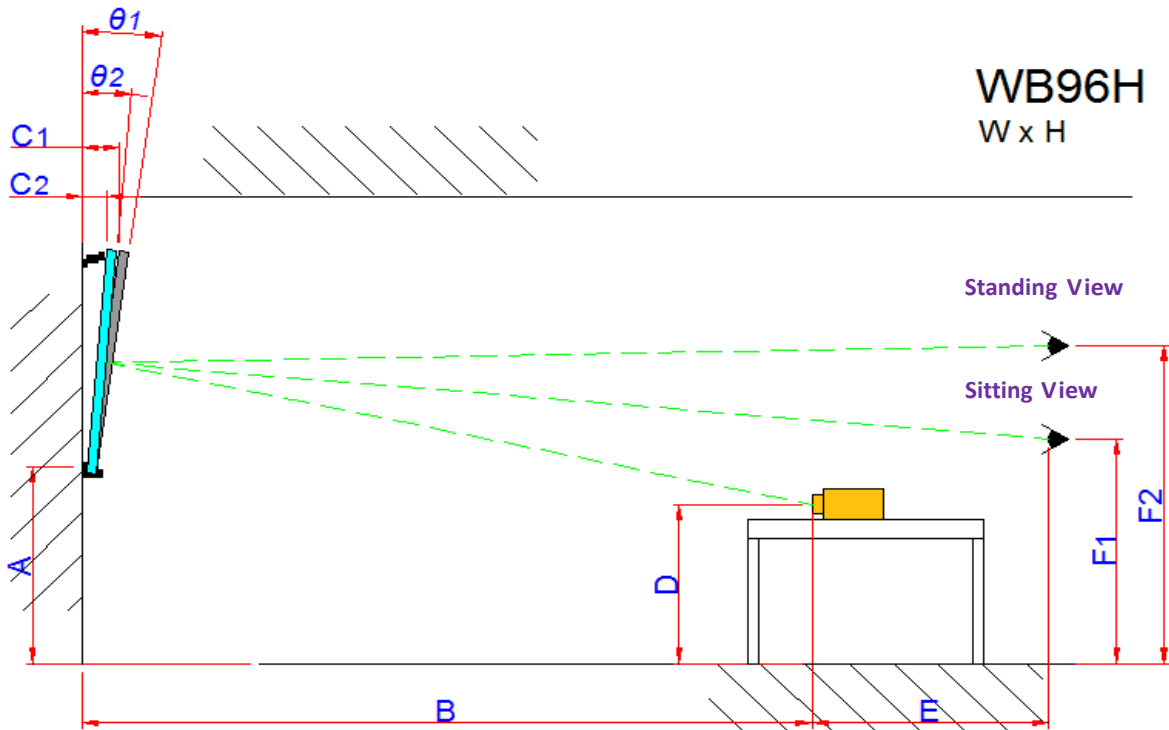
Unit: mm												
Model Number	Overall Width (W)	Overall Height (H)	Installation Height (A)	Suggested Projection Distance (B)	Sitting View Distance (C1)	Standing View Distance (C2)	Suggested Projection Height (D)	Viewer Distance (E)	Sitting View Height (F1)	Standing View Height (F2)	Sitting View Angle (01)	Standing View Angle (02)
WB60V	1190.0	930.0	1000 - 1200	1950 - 2950	160	114	800 - 1000	1200	1200	1700	9°	6°
Unit: Inches												
Model Number	Overall Width (W)	Overall Height (H)	Installation Height (A)	Suggested Projection Distance (B)	Sitting View Distance (C1)	Standing View Distance (C2)	Suggested Projection Height (D)	Viewer Distance (E)	Sitting View Height (F1)	Standing View Height (F2)	Sitting View Angle (01)	Standing View Angle (02)
WB60V	46.9	36.6	39.4 - 47.2	76.8 - 116.1	6.3	4.5	31.5 - 39.4	47.2	47.2	66.9	9°	6°



Unit: mm												
Model Number	Overall Width (W)	Overall Height (H)	Installation Height (A)	Suggested Projection Distance (B)	Sitting View Distance (C1)	Standing View Distance (C2)	Suggested Projection Height (D)	Viewer Distance (E)	Sitting View Height (F1)	Standing View Height (F2)	Sitting View Angle (01)	View Angle (02)
WB80V	1630.0	1230.0	1000 - 1200	2750 - 3750	228	145	800 - 1000	1200	1200	1700	10°	6°
Unit: inches												
Model Number	Overall Width (W)	Overall Height (H)	Installation Height (A)	Suggested Projection Distance (B)	Sitting View Distance (C1)	Standing View Distance (C2)	Suggested Projection Height (D)	Viewer Distance (E)	Sitting View Height (F1)	Standing View Height (F2)	Sitting View Angle (01)	Standing View Angle (02)
WB80V	64.2	48.4	39.4 - 47.2	108.3 - 147.6	9.0	5.7	31.5 - 39.4	47.2	47.2	66.9	10°	6°



Unit: mm												
Model Number	Overall Width (W)	Overall Height (H)	Installation Height (A)	Suggested Projection Distance (B)	Sitting View Distance (C1)	Standing View Distance (C2)	Suggested Projection Height (D)	Viewer Distance (E)	Sitting View Height (F1)	Standing View Height (F2)	Sitting View Angle (01)	Standing View Angle (02)
WB96H	2130.0	1230.0	1000 - 1200	3200 - 4200	187	125	800 - 1000	1200	1200	1700	8°	5°
Unit: inches												
Model Number	Overall Width (W)	Overall Height (H)	Installation Height (A)	Suggested Projection Distance (B)	Sitting View Distance (C1)	Standing View Distance (C2)	Suggested Projection Height (D)	Viewer Distance (E)	Sitting View Height (F1)	Standing View Height (F2)	Sitting View Angle (01)	Standing View Angle (02)
WB96H	83.9	48.4	39.4 - 47.2	126 - 165.3	7.4	4.9	31.5 - 39.4	47.2	47.2	66.9	8°	5°



Desktop Installation explanation :

A=Installation Height (Floor to bracket drilling hole)

B=Suggested Projection Distance (Projector to screen)

C1=Sit View Distance (The brightest view when people are sitting down in relation to the angle setting in F1)

C2=Stand View Distance (The brightest view when people are standing in relation to the angle setting in F2)

****User selectable average recommendations****

D=Suggested Projection Height (Floor to project center)

E=Viewer Distance (User to projector)

F1=Sit View Height

F2=Stand View Height

**** The basis of height is from an average height ****

theta 1=Sit View Angle (Screen slope angle between screen and wall to achieve brightest view)

theta 2=Stand View Angle (Screen slope angle between screen and wall to achieve brightest view)

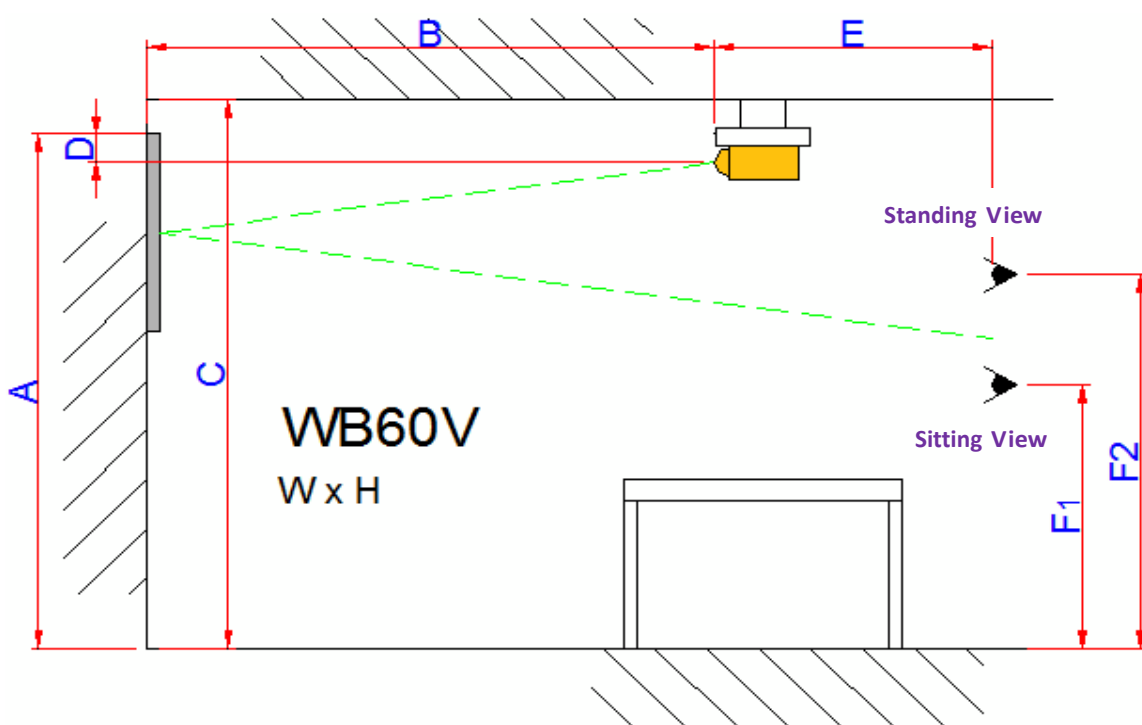
(*****Relation between C1, F1 and theta 1 ; Relation between C2, F2 and theta 2*****)

W=Overall Width

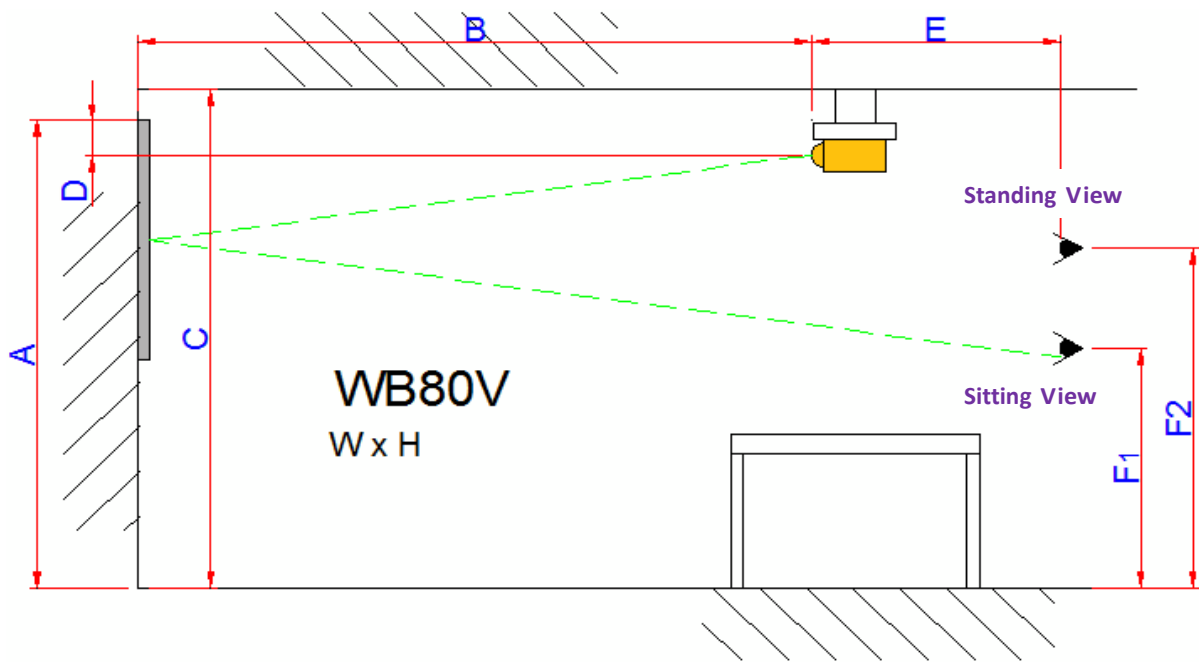
H=Overall Height

Overhead Projector installation

Unit: mm									
Models	Overall Width (W)	Overall Height (H)	Installation Height (A)	Suggested Projection Distance (B)	Ceiling Height (C)	Suggested Offset (D)	Viewer Distance (E)	Sitting View Height (F1)	Standing View Height (F2)
WB60V	1190.0	930.0	2340	1950 - 2950	2500	130	1200	1200	1700
Unit: Inches									
Models	Overall Width (W)	Overall Height (H)	Installation Height (A)	Suggested Projection Distance (B)	Ceiling Height (C)	Suggested Offset (D)	Viewer Distance (E)	Sitting View Height (F1)	Standing View Height (F2)
WB60V	46.9	36.6	92.1	76.8 - 116.1	98.4	5.1	47.2	47.2	66.9

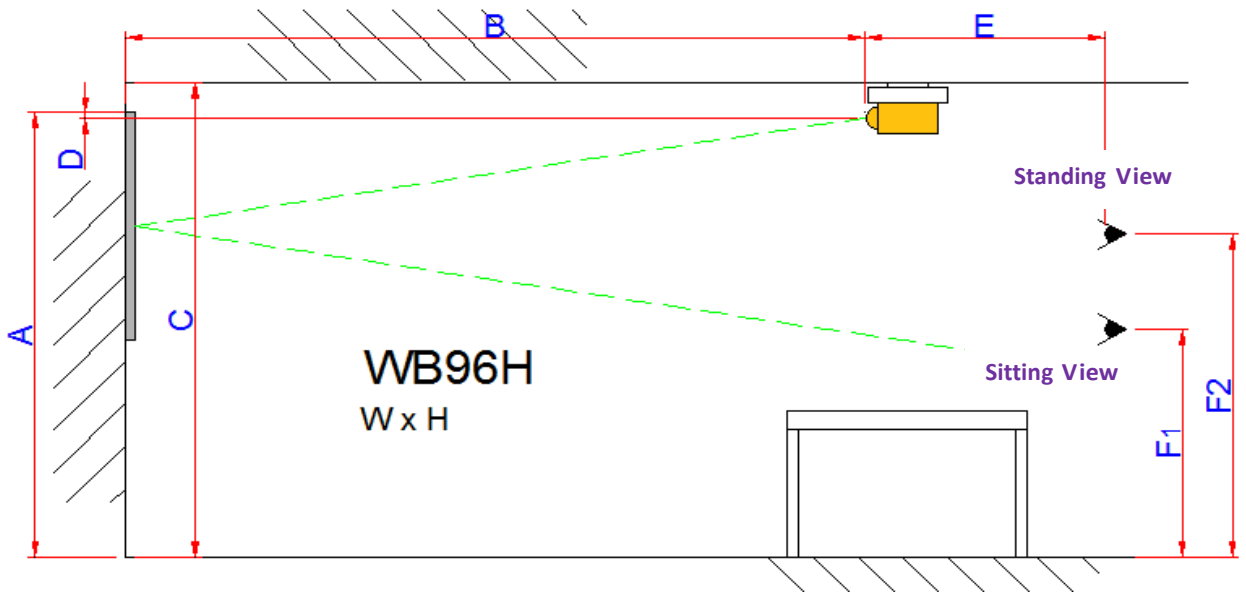


Unit: mm									
Model Number	Overall Width (W)	Overall Height (H)	Installation Height (A)	Suggested Projection Distance (B)	Ceiling Height (C)	Suggested Offset (D)	Viewer Distance (E)	Sitting View Height (F1)	Standing View Height (F2)
WB80V	1630.0	1230.0	2340	2750 - 3750	2500	174	1200	1200	1700
Unit: Inches									
Model Number	Overall Width (W)	Overall Height (H)	Installation Height (A)	Suggested Projection Distance (B)	Ceiling Height (C)	Suggested Offset (D)	Viewer Distance (E)	Sitting View Height (F1)	Standing View Height (F2)
WB80V	64.2	48.4	92.1	108.3 - 147.6	98.4	6.9	47.2	47.2	66.9



Unit: mm									
Model Number	Overall Width (W)	Overall Height (H)	Installation Height (A)	Suggested Projection Distance (B)	Ceiling Height (C)	Suggested Offset (D)	Viewer Distance (E)	Sitting View Height (F1)	Standing View Height (F2)
WB96H	2130.0	1230.0	2340	3200 - 4200	2500	29	1200	1200	1700

Unit: Inches									
Model Number	Overall Width (W)	Overall Height (H)	Installation Height (A)	Suggested Projection Distance (B)	Ceiling Height (C)	Suggested Offset (D)	Viewer Distance (E)	Sitting View Height (F1)	Standing View Height (F2)
WB96H	83.9	48.4	92.1	126 - 165.3	98.4	1.1	47.2	47.2	66.9



Overhead installation explanation:

A=Installation Height (Suggested from floor to top of screen)

B=Suggested Projection Distance (Projector to screen)

C=Ceiling Height

D=Suggested Offset (Distance between projection center and top of screen)

E=Viewer Distance (User to projector)

F1=Sit View Height

F2=Stand View Height

****The basis of height is from an average height****

W=Overall Width

H=Overall Height

Note: The data is for reference only. The installer should base the installation according to the customer and the space provided.

Warranty Policy

- **Two (2) year** parts and labor warranty from defects in workmanship from purchase date as follows (except for refurbished units as specified below):
- **Refurbished units** carry a **90-day** parts and labor warranty.
- **Demo units or open box items** are **AS IS** items and do not carry a warranty.
- Each party will be responsible for one way shipping during the warranty period.
- **A RMA (Return Merchandise Authorization) number** must be issued in order to process a replacement or to authorize a return for warranty repair. Elite Screens will, at its sole option replace or repair the defective unit with a replacement *(see exceptions below) after the defective unit is received. Once the product is received, Elite Screens will send out a replacement *unit to the customer by ground service (subject to inventory availability).
- **Do not return any unauthorized items to Elite Screen, as they will be refused and returned at your expense. The RMA number must be included on the outside label of your shipping box. Our warehouse is not authorized to accept returns without an RMA number on the shipping label.**
- **RMA numbers are valid for 45 days from the date of issue.**
- **Missing Parts** must be reported within 7-days of receipt. If reported after 7 days, customer will only be responsible for shipping and handling fees. If reported after 30 days of receipt, customer is responsible for cost of the parts and shipping & handling fees.

*A new or refurbished replacement will be sent out to the customer depending on the type of purchase (new or refurbished) or based on stock availability.

For Warranty and Service requests please fill out a RMA /Service Form at:

http://www.elitescreens.com/service_form.htm.

Please Visit this link for full Warranty information:

<http://www.elitescreens.com/service.htm>

For Customer Service and Technical questions, please contact Elite Screens at:

Telephone: (877)-511-1211 Fax:(562)-483-8498

REMEMBER TO REGISTER YOUR WARRANTY AT

WWW.ELITESCREENS.COM/REGISTER.HTM

US & Canada Tech Support & Warranty Claim

Please contact us at service@elitescreens.com or call +1 877-511-1211 #3 Service

Europe Tech Support & Warranty Claim

Please contact us at service@elitescreens.eu or call +49-(0) 40-30392958

Asia Tech Support & Warranty Claim

Please contact us at service@elitescreens.com.cn or call +86-(0) 755-8461-7989

Taiwan Tech Support & Warranty Claim

Please contact us at service@elitescreens.com.tw or call +886-(02) 2747-8979

America:

Elite Screens Inc

16410 Manning Way

Cerritos, CA 90703 USA

Tel: +1-562-483-8198 (877-511-1211)

Fax: +1-562-483-8498

info@elitescreens.com

www.elitescreens.com

Asia:

Elite Screens China Corp.

Longxi Duimianling Industry Zone

Longcheng Longgang District,

ShenZhen GuangDong, China

Tel: +86-(0)755-8461-7989

Fax: +86-(0)755-8461-7669

info@elitescreens.com.cn

www.elitescreens.com.cn

Taiwan:

Elite Screens Taiwan Co. Ltd.

No.38, Alley 22, Lane 66, Sec. 5, Nanjing E.

Rd., Songshan District, Taipei City 105,

Taiwan

Tel: +886-(02)2747-8979

Fax: +886-(02)2747-8978

info@elitescreens.com.tw

www.elitescreens.com.tw

Europe:

Elite Screens Europe GmbH

Elite Screens Europe GmbH

Lübecker Straße 1

22087 Hamburg, Germany

Tel: +49-40-30392494

Fax: +49-40-49219200

info@elitescreens.eu

www.elitescreens.eu

Latin America Contact:

erik.garcia@elitescreens.com

East Asia Contact:

info.ea@elitescreens.com

India Contact:

info.india@elitescreens.com

Japan Contact:

info.japan@elitescreens.com