

Manual SRM Series

Manual Pull-down screen with built-in slow retract mechanism



Pre-Installation

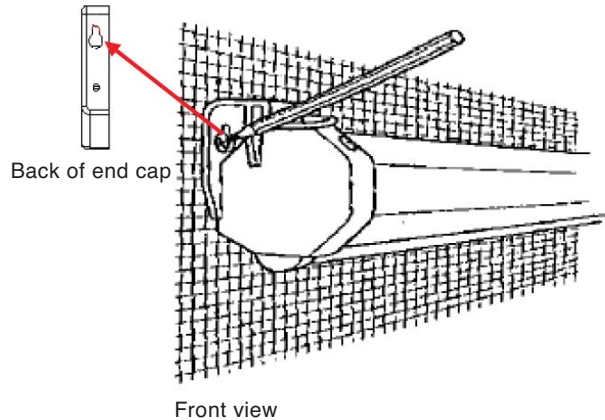
1. Carefully unpack the screen.
2. Always handle the screen in a leveled position on a clean surface.



Note: Regardless of the mounting method, the screen should be securely supported so that when retracted, deployed, or even abusive pulling on the screen, the case will not become loose or fall. The installer must insure that the fasteners used are of adequate strength and suitable for the installation location.

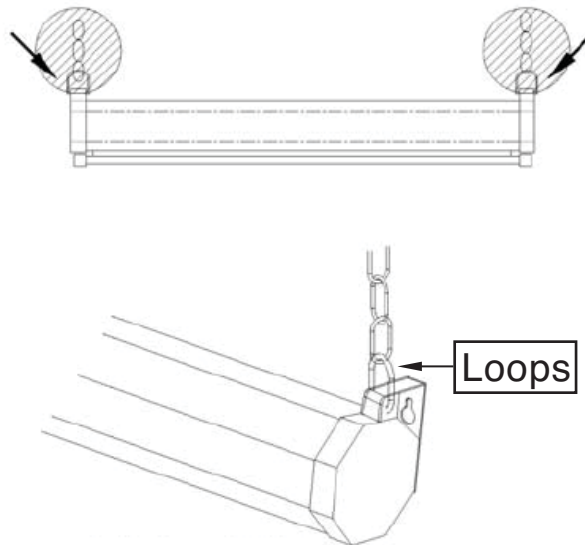
Flush Mount to the Wall

1. Mark the location of where the screen is to be installed for the pre-drilled hole.
2. After marking the area and drilling the hole, insert the proper screw into the drilled hole and leave about 1/8" of an inch from the wall to mount the screen.
3. Mount your screen from the keyhole located on back of screen's left and right end cap.

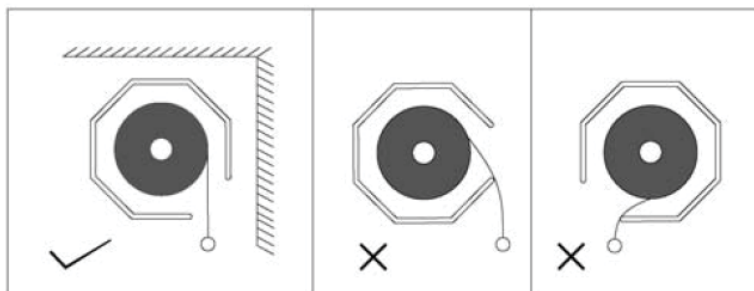


Ceiling Mounting (additional hardware required)

1. You can also hang the screen on a ceiling by using a chain (not included) and hang it by the two loops located on each end of the case.



✓ **Note:** Always pull the screen down or let it up in a 90-degree vertical angle. Do not allow the screen to touch the screen case when the screen goes up or comes down to avoid damaging the screen material.

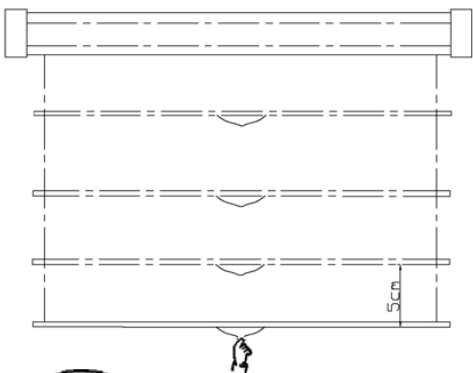


1. Pull the screen down from the lanyard or from the handle only in a 90-degree angle. Do not attempt to pull the screen down by the surface or touch the screen, as it will damage the screen and void the warranty.

✓ **Note:** An internal auto-lock mechanism system will cause the screen to stop and lock on the position at intervals.

2. If you want the screen to retract back, simply pull the screen down more than 2 inches and retract the screen back by quickly and smoothly releasing it up gently. The screen is equipped with a **SLOW RETRACT MECHANISM (SRM)** which allows the screen to slowly retract without the need to hold on to the handle or lanyard. Simply release the handle and the screen will retract by itself.

✓ **Note:** Always release at a 90-degree angle and do not let go until the screen is entirely inside the case. If ever the screen feels stuck, keep in mind that the screen's mechanism is new and needs to be run up/down a few times to loosen up. If this happens, carefully with a little force yank the screen straight down to unlock the screen.



⚠ **Note:** Improperly bringing the screen up/down will damage the screen material or rolling system.

Maintenance

Clean matte white screen material with a soft cloth and mild soap with water. When not in use, retract screen in its housing to keep the screen material surface clean.

Dimension Table

Model	Nominal Diagonal & Aspect Ratio	Case Length (A)	Screen Width (A1)	View Width (A2)	Weight Bar Length (A3)	Bottom Edge Distance (B4)	Screen Material to Weight Bar Height (B3)	View Height (B1)	Overall Height (B)	End Cap Height (B5)	End Cap Width (C)	Distance from Screen material to wall (C1)
M85XWS1-SRM	85" (1:1)	1677	1603	1527	1673	62	1703	1527	1795	92	79.5	20
M99NWS1-SRM	99" (1:1)	1938	1854	1778	1934	62	1954	1778	2046	92	79.5	20
M113NWS1-SRM	113" (1:1)	2192	2106	2030	2188	62	2206	2030	2298	92	79.5	20
M84NWV-SRM	84" (4:3)	1867	1783	1707	1863	62	1456	1280	1548	92	79.5	20
M100NWV1-SRM	100" (4:3)	2192	2108	2032	2188	62	1700	1524	1792	92	79.5	20
M120XWV2-SRM	120" (4:3)	2598	2514	2438	2594	62	2005	1829	2097	92	79.5	20

Unit: mm

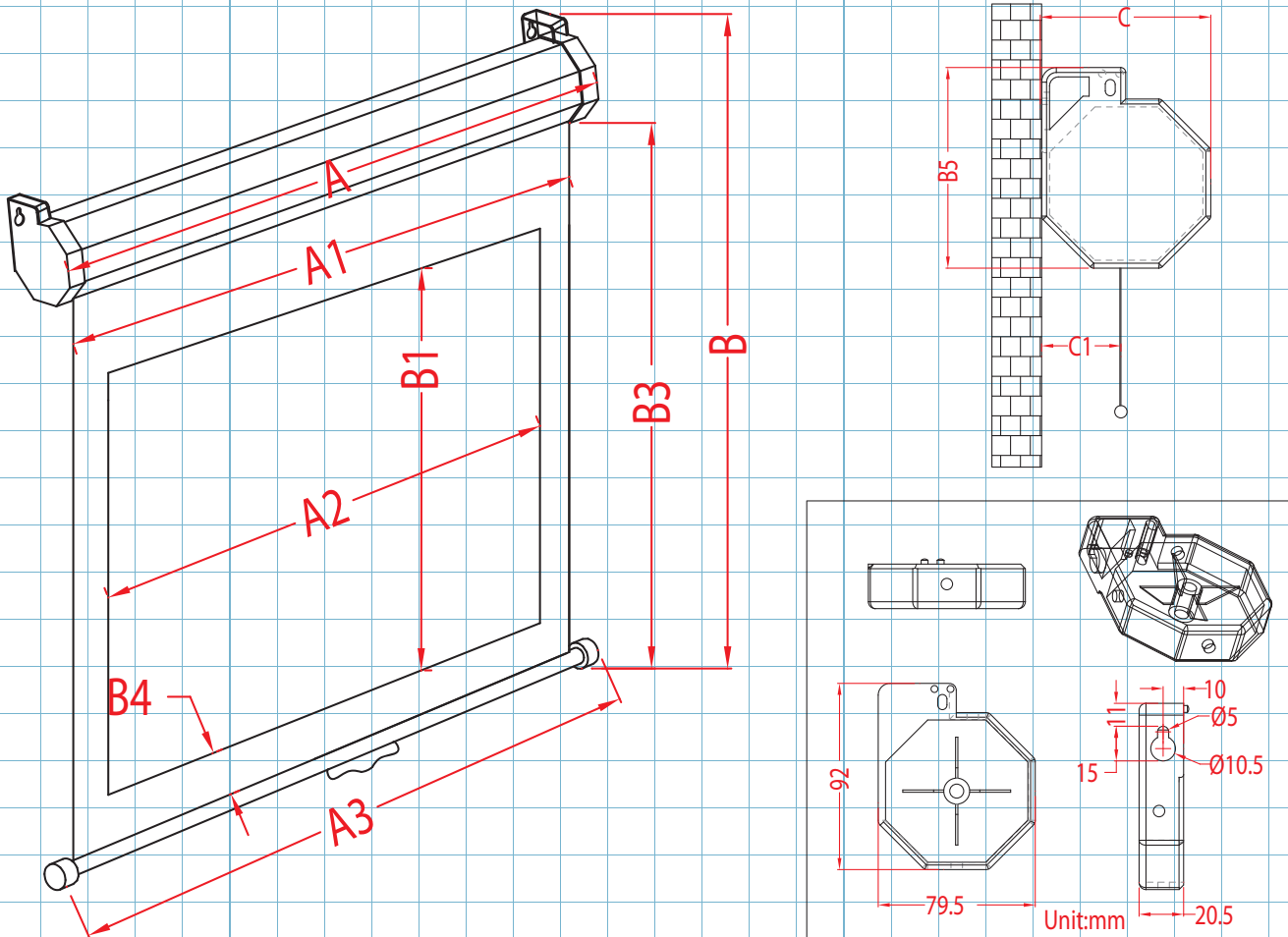
Can't find size and ratio you're looking for? Visit elitescreens.com/csr to create your own

Model	Nominal Diagonal & Aspect Ratio	Case Length (A)	Screen Width (A1)	View Width (A2)	Weight Bar Length (A3)	Bottom Edge Distance (B4)	Screen Material to Weight Bar Height (B3)	View Height (B1)	Overall Height (B)	End Cap Height (B5)	End Cap Width (C)	Distance from Screen material to wall (C1)
M85XWS1-SRM	85" (1:1)	66.0	63.1	60.1	65.9	2.4	67.0	60.1	70.7	3.6	3.1	0.8
M99NWS1-SRM	99" (1:1)	76.3	73.0	70.0	76.1	2.4	76.9	70.0	80.6	3.6	3.1	0.8
M113NWS1-SRM	113" (1:1)	86.3	82.9	79.9	86.1	2.4	86.9	79.9	90.5	3.6	3.1	0.8
M84NWV-SRM	84" (4:3)	73.5	70.2	67.2	73.3	2.4	57.3	50.4	60.9	3.6	3.1	0.8
M100NWV1-SRM	100" (4:3)	86.3	83.0	80.0	86.1	2.4	66.9	60.0	70.6	3.6	3.1	0.8
M120XWV2-SRM	120" (4:3)	102.3	99.0	96.0	102.1	2.4	78.9	72.0	82.6	3.6	3.1	0.8

Unit: inch

Can't find size and ratio you're looking for? Visit elitescreens.com/csr to create your own

The listed measurements are for general reference only. Please contact Elite Screens to verify product design and dimensions before attempting to integrate its products with any structural or furniture modification. Although a manufacturer may offer product advice, it may be taken or disregarded at the integrator's discretion. Elite Screens will not be held responsible or be otherwise liable for faulty installations.





Warranty Policy

- Two (2) Year parts and labor warranty from defects in workmanship from purchase date as follows (except for refurbished units as specified below).
- Three (3) Year parts and labor warranty from defects in workmanship for GEMR (Government, Educational, Military, & Religious) purchases of new product only.
- Refurbished Units carry a 90-DAY parts and labor warranty.
- Each party will be responsible for one way shipping during the warranty period.
- A RMA (Return Merchandise Authorization) number must be issued in order to process a replacement or to authorize a return for warranty repair. Elite Screens will, at its sole option replace or repair the defective unit with a replacement *(see exceptions below) after the defective unit or parts have been received. Once the product is received, Elite Screens will send out a replacement *unit to the customer by ground service (subject to inventory availability).
- Do Not Return Any Unauthorized Items to Elite Screens, as they will be refused and returned at your expense. The RMA Number must be included on the outside label of your shipping box. Our warehouse is not authorized to accept returns without an RMA number on the shipping label.
- RMA Numbers are valid for 45 days from the date issued.
- Missing Parts must be reported within 7 days of receipt. If reported after 7 days, the customer will be responsible for shipping and handling fees. If reported after 30 days of receipt, the customer will be responsible for cost of parts and shipping & handling fees.

* A New or refurbished replacement will be send out to the customer depending on the type of purchase (new or refurbished) and based on stock availability.

North America only U.S. and Canada

For Warranty and Service requests, please submit an RMA/Service Form at:
www.elitescreens.com/warrantysupportform

Please visit this link for full Warranty information:
www.elitescreens.com/warranty

For Customer Service and Technical questions, please contact Elite Screens at:
Telephone: (877) 511-1211 service@elitescreens.com
Fax: (562) 926-8433 techsupport@elitescreens.com

**Register your product at:
www.elitescreens.com**



Contact Information

US & Canada Tech Support & Warranty Claim

Please contact us at service@elitescreens.com or call +1 877.511.1211 #3 or fax +1.562.926.8433

Europe Tech Support & Warranty Claim

Please contact us at service@elitescreens.eu or call +49 (0) 40.30392958

Asia Tech Support & Warranty Claim

Please contact us at service@elitescreens.com.cn or call +86 (0) 755.8461.7989

Taiwan Tech Support & Warranty Claim

Please contact us at service@elitescreens.com.tw or call +866.2.8990.1999

Elite Screens America

16410 Manning Way | Cerritos | California 90703

www.elitescreens.com | info@elitescreens.com

Tel: 877.511.1211 | Fax: 1.562.926.8433

ASIA:

Elite Screens China Corp.

Longxi Duimianling Industry Zone
Longcheng Longgang District,
ShenZhen GuangDong, China
www.elitescreens.com.cn
info@elitescreens.com.cn
Tel: +86 (0) 755.8461.7989
Fax: +86 (0) 755.8461.7669

Elite Screens Taiwan Ltd.

1F. No. 38 Alley 22 Lane 66 Sec. 5
Nanjing E. Rd. Songshan District
Taipei City 105, Taiwan (R.O.C.)
www.elitescreens.com.tw
info@elitescreens.com.tw
Tel: 886 (0) 2.2747.8979

Elite Screens Japan Corp.

467-2-606 Tsuruma, Machida-shi,
Tokyo, 194-0004 Japan
www.elitescreens.jp
info@elitescreens.jp
Tel: 0120-07-0008
Fax: +81 (0) 42.706.9130

EUROPE:

Elite Screens Europe GmbH

Lübecker Straße 1
22087 Hamburg, Germany
www.elitescreens.eu
info@elitescreens.eu
Tel: +49.40.30392494
Fax: +49.40.49219200

Elite Screens France S.A.S

11, Allée William Penn
92150 Suresnes, France
www.elitescreens.com/fr
info.fr@elitescreens.com
Tel: +33.1.45064735
Fax: +33.1.45064735

LATIN AMERICA:

Elite Screens

www.elitescreens.com/sp
info.la@elitescreens.com

