



Manual Pull-Down Projection Screen

# Elite Manual Series

USER'S GUIDE  
Ver. 1.2



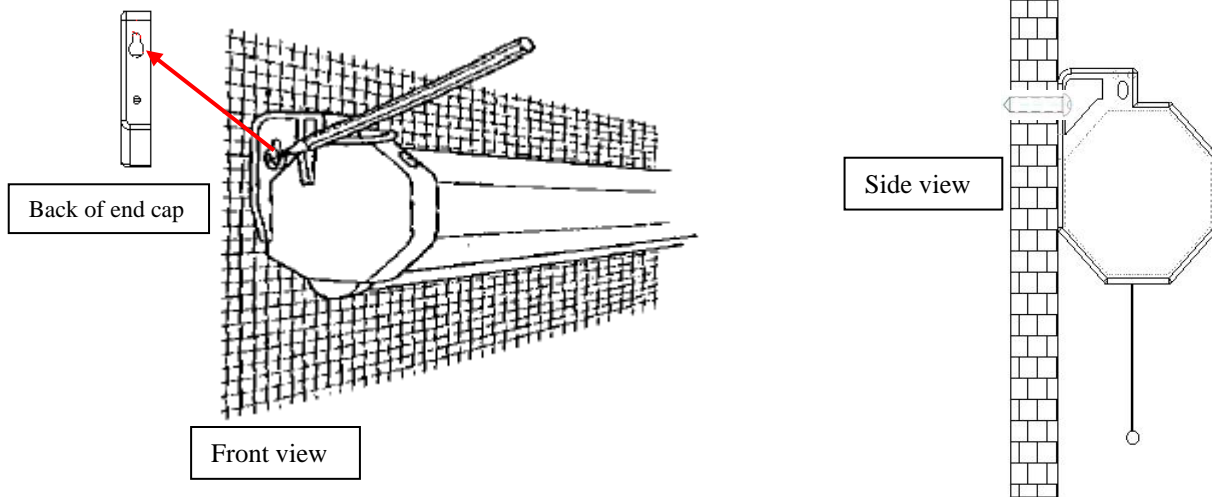
## Pre-installation

1. Carefully unpack the screen.
2. Always handle the screen in a leveled position on a clean surface.

## INSTALLATION

### Flush Wall Mounting

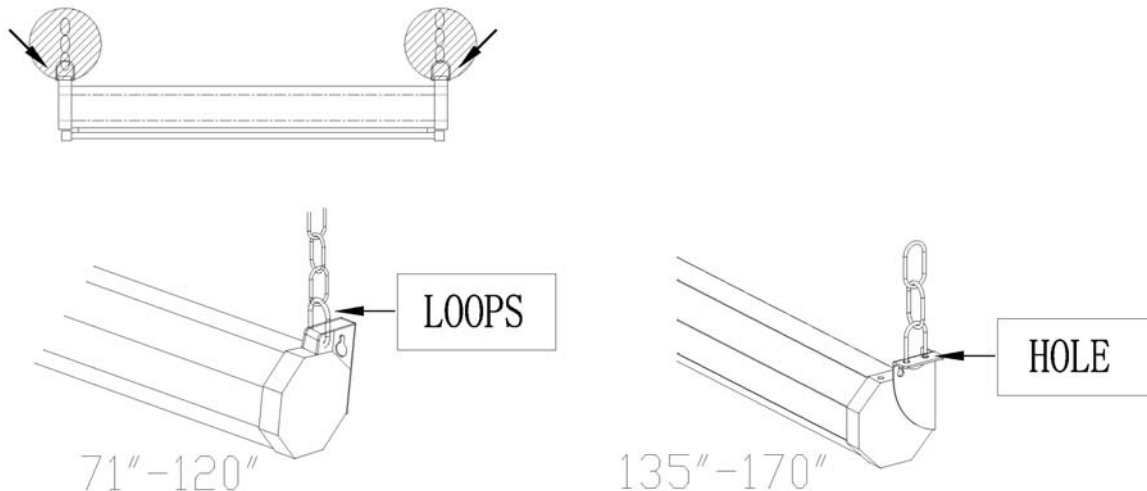
1. Mark the location of where the screen is to be installed for the pre-drilled hole.
2. After marking the area and drilling the hole, insert the proper screw into the drilled hole and leave about 1/8" of an inch from the wall to mount the screen.
3. Mount your screen from the keyhole located on back of screen's left and right end cap.



### Ceiling Mounting (additional hardware required)

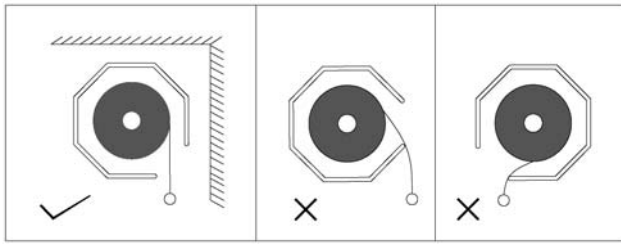
Optional installation using a chain to hang the screen from the ceiling.

1. You can also hang the screen on a ceiling by using a chain (not included) and hang it by the two loops (models 71-120) located on each end of the case or by the end cap's ears (models 135-170).



## SCREEN OPERATION

*Note: **Always** pull the screen down or let it up in a 90-degree vertical angle. Do not allow the screen to touch the screen case when the screen goes up or comes down to avoid damaging the screen material.*

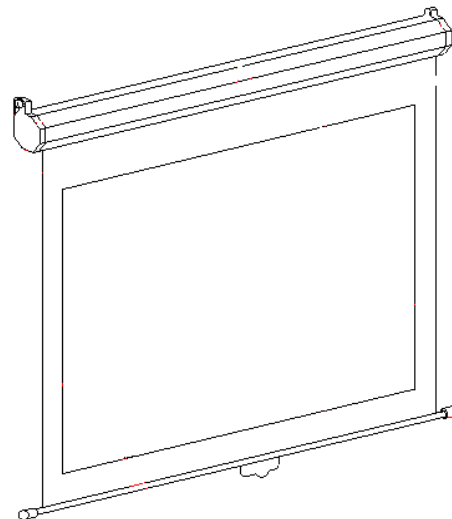
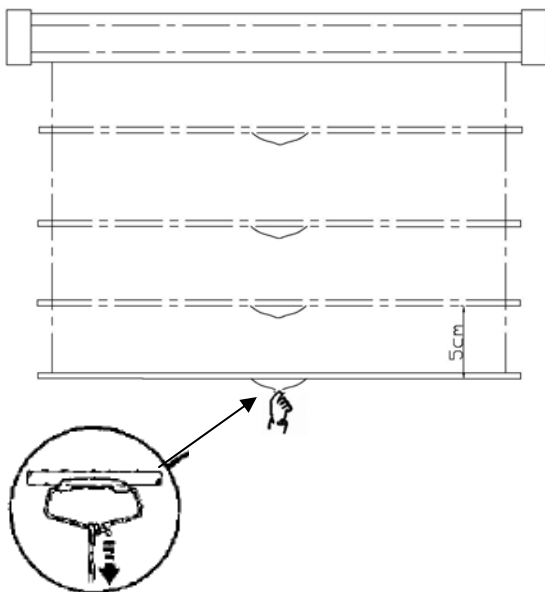


1. Pull the screen down from the lanyard or from the handle only in a 90-degree angle. Do not attempt to pull the screen down by the surface or touch the screen, as it will damage the screen and void the warranty.

*Note: An internal auto-lock mechanism system will cause the screen to stop and lock on the position at intervals.*

2. If you want the screen to retract back, simply pull the screen down more than 2 inches and retract the screen back by quickly and smoothly releasing it up gently.

**Note: Always release at a 90-degree angle and do not let go until the screen is entirely inside the case**  
**If ever the screen feels stuck, keep in mind that the screen's mechanism is new and needs to be run up/down a few times to loosen up. If this happens, carefully with a little force yank the screen straight down to unlock the screen.**



*Note: Improperly bringing the screen up/down will damage the screen material or rolling system.*

## MAINTENANCE

Clean matte white screen material with a soft cloth and mild soap with water.  
When not in use, retract screen in its housing to keep the screen material surface clean.

### NOTE:

Regardless of mounting method, the screen should be securely supported so that vibration or even abusive pulling on the viewing surface will not cause the case to work loose or fall. The installer must insure that the fasteners used are of adequate strength and suitable for the mounting surface chosen.

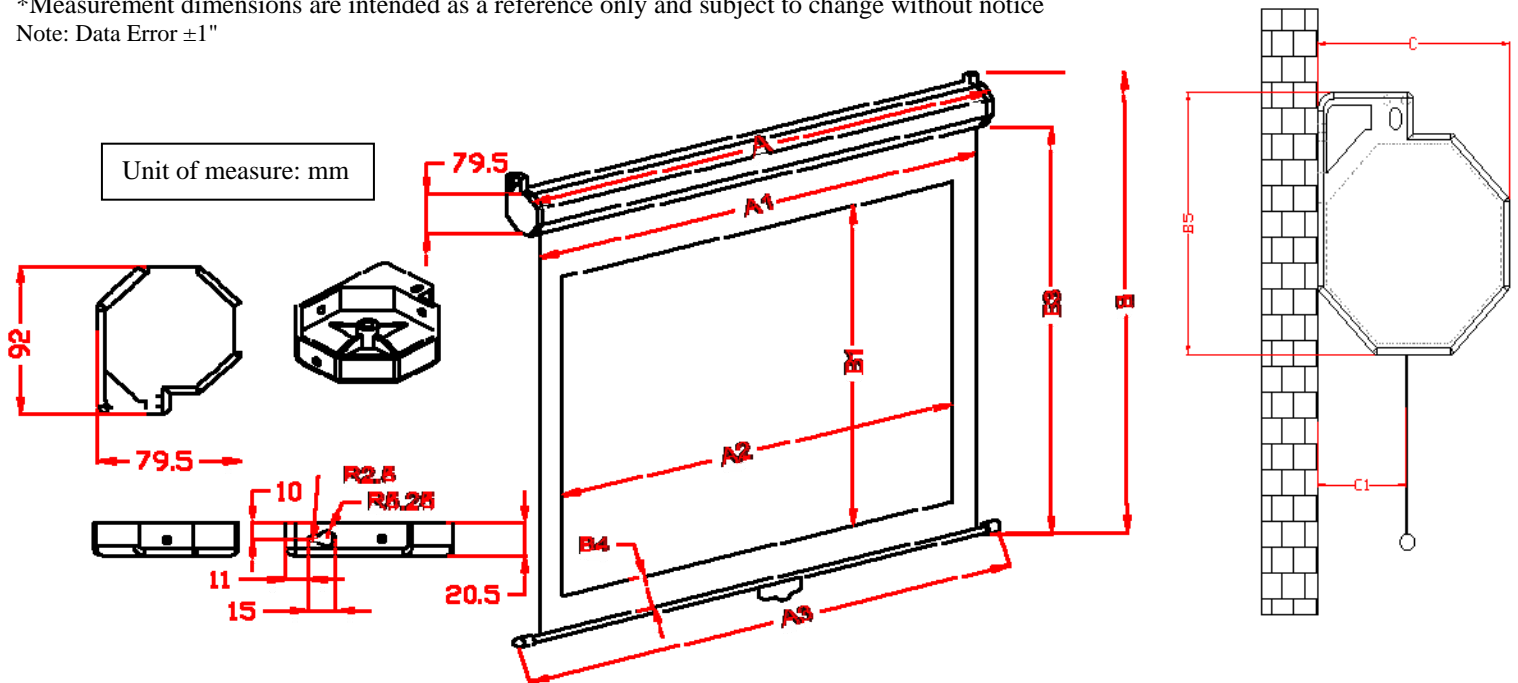
### Manual Series Dimensions Table

Unit: mm												
Models	Screen Diag. & Aspect Ratio	Case Length (A)	Screen Width (A1)	View Width (A2)	Weight Bar Length (A3)	Bottom Edge Distance (B4)	Screen Material to Weight Bar Height (B3)	View Height (B1)	Overall Height (B)	End cap Height (B5)	End cap Width (C)	Distance from screen material to the wall (C1)
M84H	84" (16:9)	2085	1961	1860	2079	62	1222	1046	1304	82	69	20
M84H-E30	84" (16:9)	2085	1961	1860	2079	62	1222	1046	1304	82	69	20
M92UWH	92" (16:9)	2197	2138	2037	2191	62	1322	1146	1404	82	69	20
M100UWH	100" (16:9)	2379	2315	2214	2373	62	1421	1245	1503	82	69	20
M100H-E24	100" (16:9)	2379	2315	2214	2373	62	1421	1245	1503	82	69	20
M106H	106" (16:9)	2511	2448	2347	2505	62	1496	1320	1588	92	79.5	20
M120H	120" (16:9)	2821	2758	2657	2815	62	1670	1494	1762	92	79.5	20
M120H-E24	120" (16:9)	2821	2758	2657	2815	62	1670	1494	1762	92	79.5	20
M135H	135" (16:9)	3180	3090	2989	3147	62	1857	1681	1962	105	88	20
M150H	150" (16:9)	3556	3422	3321	3483	62	2044	1868	2149	105	88	20
M80V	80" (4:3)	1838	1727	1626	1832	62	1395	1219	1477	82	69	20
M84V	84" (4:3)	1933	1808	1707	1927	62	1456	1280	1538	82	69	20
M100V	100" (4:3)	2197	2133	2032	2191	62	1700	1524	1782	82	69	20
M120V	120" (4:3)	2603	2539	2438	2597	62	2005	1829	2097	92	79.5	20
M135V	135" (4:3)	2939	2844	2743	2906	62	2233	2057	2338	105	88	20
M150V	150" (4:3)	3244	3149	3048	3211	62	2462	2286	2567	105	88	20
M71S	71" (1:1)	1520	1376	1275	1514	62	1451	1275	1533	82	69	20
M85S	85" (1:1)	1768	1628	1527	1762	62	1703	1527	1785	82	69	20
M99S	99" (1:1)	1996	1879	1778	1937	62	1954	1778	2046	92	79.5	20
M113S	113" (1:1)	2197	2131	2030	2191	62	2206	2030	2298	92	79.5	20
M119S	119" (1:1)	2352	2235	2134	2346	62	2313	2137	2405	92	79.5	20
M136S	136" (1:1)	2603	2544	2443	2597	62	2619	2443	2711	92	79.5	20
M170S	170" (1:1)	3244	3149	3048	3211	62	3224	3048	3329	105	88	20
M94UWX	94" 16:10	2192	2101	2025	2188	62	1441	1265	1523	82	69	20
M128UWX	128" 16:10	2907	3327	3251	2903	62	1899	1723	1991	92	79.5	20

Unit: Inches												
Models	Screen Diag. & Aspect Ratio	Case Length (A)	Screen Width (A1)	View Width (A2)	Weight Bar Length (A3)	Bottom Edge Distance (B4)	Screen Material to Weight Bar Height (B3)	View Height (B1)	Overall Height (B)	End cap Height (B5)	End cap Width (C)	Distance from screen material to the wall (C1)
M84H	84" (16:9)	82.1	77.2	73.2	81.9	2.4	48.1	41.2	51.3	3.2	2.7	0.8
M84H-E30	84" (16:9)	82.1	77.2	73.2	81.9	2.4	48.1	41.2	51.3	3.2	2.7	0.8
M92UWH	92" (16:9)	86.5	84.2	80.2	86.3	2.4	52.0	45.1	55.3	3.2	2.7	0.8
M100UWH	100" (16:9)	93.7	91.1	87.2	93.4	2.4	55.9	49.0	59.2	3.2	2.7	0.8
M100H-E24	100" (16:9)	93.7	91.1	87.2	93.4	2.4	55.9	49.0	59.2	3.2	2.7	0.8
M106H	106" (16:9)	98.9	96.4	92.4	98.6	2.4	58.9	52.0	62.5	3.6	3.1	0.8
M120H	120" (16:9)	111.1	108.6	104.6	110.8	2.4	65.7	58.8	69.4	3.6	3.1	0.8
M120H-E24	120" (16:9)	111.1	108.6	104.6	110.8	2.4	65.7	58.8	69.4	3.6	3.1	0.8
M135H	135" (16:9)	125.2	121.7	117.7	123.9	2.4	73.1	66.2	77.2	4.1	3.5	0.8
M150H	150" (16:9)	140.0	134.7	130.7	137.1	2.4	80.5	73.5	84.6	4.1	3.5	0.8
M80V	80" (4:3)	72.4	68.0	64.0	72.1	2.4	54.9	48.0	58.1	3.2	2.7	0.8
M84V	84" (4:3)	76.1	71.2	67.2	75.9	2.4	57.3	50.4	60.6	3.2	2.7	0.8
M100V	100" (4:3)	86.5	84.0	80.0	86.3	2.4	66.9	60.0	70.2	3.2	2.7	0.8
M120V	120" (4:3)	102.5	100.0	96.0	102.2	2.4	78.9	72.0	82.6	3.6	3.1	0.8
M135V	135" (4:3)	115.7	112.0	108.0	114.4	2.4	87.9	81.0	92.0	4.1	3.5	0.8
M150V	150" (4:3)	127.7	124.0	120.0	126.4	2.4	96.9	90.0	101.1	4.1	3.5	0.8
M71S	71" (1:1)	59.8	54.2	50.2	59.6	2.4	57.1	50.2	60.4	3.2	2.7	0.8
M85S	85" (1:1)	69.6	64.1	60.1	69.4	2.4	67.0	60.1	70.3	3.2	2.7	0.8
M99S	99" (1:1)	78.6	74.0	70.0	76.3	2.4	76.9	70.0	80.6	3.6	3.1	0.8
M113S	113" (1:1)	86.5	83.9	79.9	86.3	2.4	86.9	79.9	90.5	3.6	3.1	0.8
M119S	119" (1:1)	92.6	88.0	84.0	92.4	2.4	91.1	84.1	94.7	3.6	3.1	0.8
M136S	136" (1:1)	102.5	100.2	96.2	102.2	2.4	103.1	96.2	106.7	3.6	3.1	0.8
M170S	170" (1:1)	127.7	124.0	120.0	126.4	2.4	126.9	120.0	131.1	4.1	3.5	0.8
M94UWX	94" (16:10)	86.3	82.7	79.7	86.1	2.4	56.7	49.8	60.0	3.2	2.7	0.8
M128UWX	128" (16:10)	114.4	131.0	128.0	114.3	2.4	74.8	67.8	78.4	3.6	3.1	0.8

\*Measurement dimensions are intended as a reference only and subject to change without notice

Note: Data Error  $\pm 1"$



# Warranty Policy

- Two (2) year warranty parts and labor (as of June 2007) from defects in workmanship from purchase date as follows (except for refurbished units as specified below):
- **Refurbished units** carry a **90-day** parts and labor warranty.
- **Demo units or open box items** are **AS IS** items and do not carry a warranty.
- Each party will be responsible for one way shipping during the warranty period. Elite Screens is not responsible for applicable International tariffs such as broker fees and customs duties.
- **A RMA (Return Merchandise Authorization) number** must be issued in order to process a replacement or to authorize a return for warranty repair. Elite Screens will, at its sole option, replace or repair the defective unit with a replacement \*(see exceptions below) after the defective unit is received. Once the product is received, Elite Screens will send out a replacement \*unit to the customer by ground service (subject to inventory availability). **Please do not return any unauthorized items to Elite Screen, as they will be refused. The RMA number must be included on the outside label of your shipping box. Our warehouse is not authorized to accept returns without an RMA number on the shipping label. RMA numbers are valid for 45 days from the date of issue.**
- **Missing Parts** must be reported within the 7-day grace period. If reported after 7 days, customer will be only be responsible for shipping and handling fees. If reported after 30 days of receipt, customer is responsible for cost of the parts and shipping & handling fees.

\*A new or refurbished replacement will be sent out to the customer depending on the type of purchase (new or refurbished) or based on stock availability.

## **Please visit link below for full warranty information**

For Customer Service and Technical questions, please contact Elite Screens at:

Telephone: 562-483-8198

Fax: 562-483-8498

For Warranty and Service requests please fill out a RMA /Service Form at:

[http://www.elitescreens.com/service\\_form.htm](http://www.elitescreens.com/service_form.htm).

Please Visit this link for full Warranty information:

<http://www.elitescreens.com/service.htm>

**REMEMBER TO REGISTER YOUR WARRANTY AT**  
**[WWW.ELITESCREENS.COM/REGISTER.HTM](http://WWW.ELITESCREENS.COM/REGISTER.HTM)**

**US & Canada Tech Support & Warranty Claim**

Please contact us at [service@elitescreens.com](mailto:service@elitescreens.com) or call +1 877-511-1211 #3 Service

**Europe Tech Support & Warranty Claim**

Please contact us at [service@elitescreens.eu](mailto:service@elitescreens.eu) or call +49-(0) 40-30392958

**Asia Tech Support & Warranty Claim**

Please contact us at [service@elitescreens.com.cn](mailto:service@elitescreens.com.cn) or call +86-(0) 755-8461-7989

**Taiwan Tech Support & Warranty Claim**

Please contact us at [service@elitescreens.com.tw](mailto:service@elitescreens.com.tw) or call +886-(02) 2747-8979

**America:**

**Elite Screens Inc**

16410 Manning Way  
Cerritos, CA 90703 USA  
Tel: +1-562-483-8198 (877-511-1211)  
Fax: +1-562-483-8498  
[info@elitescreens.com](mailto:info@elitescreens.com)  
[www.elitescreens.com](http://www.elitescreens.com)

**Europe:**

**Elite Screens Europe GmbH**

Elite Screens Europe GmbH  
Lübecker Straße 1  
22087 Hamburg, Germany  
Tel: +49-40-30392494  
Fax: +49-40-49219200  
[info@elitescreens.eu](mailto:info@elitescreens.eu)  
[www.elitescreens.eu](http://www.elitescreens.eu)

**Asia:**

**Elite Screens China Corp.**

Longxi Duimianling Industry Zone  
Longcheng Longgang District,  
ShenZhen GuangDong, China  
Tel: +86-(0)755-8461-7989  
Fax: +86-(0)755-8461-7669  
[info@elitescreens.com.cn](mailto:info@elitescreens.com.cn)  
[www.elitescreens.com.cn](http://www.elitescreens.com.cn)

**Latin America Contact:**

[erik.garcia@elitescreens.com](mailto:erik.garcia@elitescreens.com)

**East Asia Contact:**

[info.ea@elitescreens.com](mailto:info.ea@elitescreens.com)

**India Contact:**

[info.india@elitescreens.com](mailto:info.india@elitescreens.com)

**Japan Contact:**

[info.japan@elitescreens.com](mailto:info.japan@elitescreens.com)

**Taiwan:**

**Elite Screens Taiwan Co. Ltd.**

No.38, Alley 22, Lane 66, Sec. 5, Nanjing E.  
Rd., Songshan District, Taipei City 105,  
Taiwan  
Tel: +886-(02)2747-8979  
Fax: +886-(02)2747-8978

[info@elitescreens.com.tw](mailto:info@elitescreens.com.tw)

[www.elitescreens.com.tw](http://www.elitescreens.com.tw)