

ASSEMBLY INSTRUCTION
COASTER FINE FURNITURE



www.coastercompany.com

Assembly Instruction

ASSEMBLY TIPS:



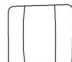
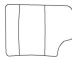

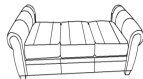
- 1:Remove hardware from box and sort by size
- 2:Please check to see that all hardware and parts are present prior start of assembly.
- 3:Please follow attached instructions in the same sequence as numbered to assure fast & easy assembly



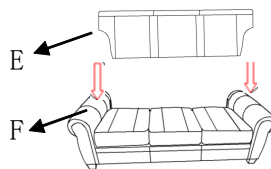
WARNING

- 1:Don't attempt to repair or modify parts that are broken or defective please contact the store immediately
- 2:This product is for home use only and not intended for commercial establishment

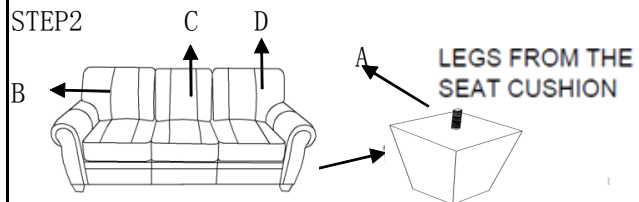
PARTS IDENTIFICATION:

A. LEGS		4PCS
B. LHF BACK CUSHION		1PC
C. MIDDLE BACK CUSHION		1PC
D. RHF BACK CUSHION		1PC
E. BACK REST		1PC
F. BASE		1PC

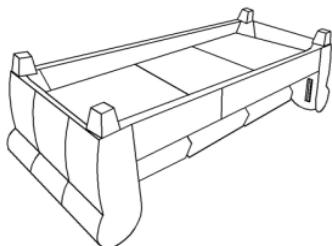
STEP1



STEP2



STEP3



STEP4

