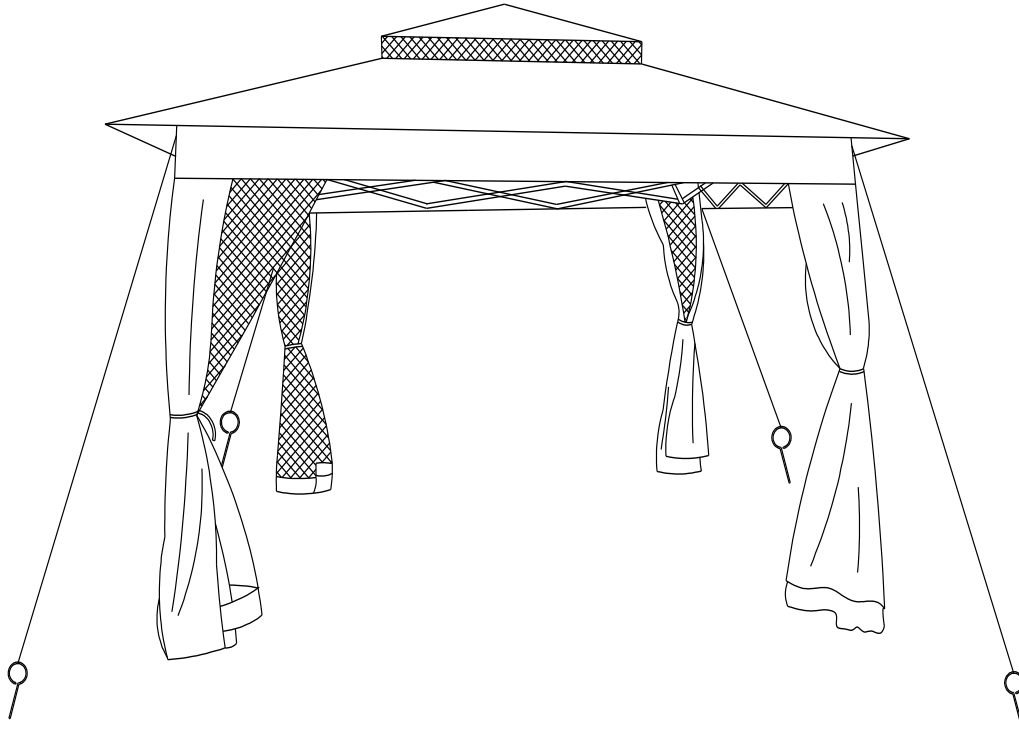


# Assembly Instructions

Model# D-GZ849PST-A

Item# M47085000000

Barbara King Portable Pop Up 10 x 10 Gazebo



## **IMPORTANT:**

1. Keep all children and pets away from assembly area. Children and pets should be supervised while gazebo is being assembled.
2. The assembled gazebo should be located at least 6 feet (2 m) from any obstruction such as fence, garage, house, overhanging branches, laundry lines or electrical wires.
3. Some parts may contain sharp edges. Wear protective gloves if necessary during assembly.
4. When assembling and using this product, basic safety precautions should always be followed to reduce the risk of personal injury and damage to equipment. Please read all instructions before assembly and use.
5. For outdoor use only. Install on level ground. 4 stakes are provided to secure the gazebo in the ground. If you wish to secure the gazebo to a wood deck or concrete surface, use 4 anchors suited to these surfaces (anchors not included).
6. Please check your state and local regulations prior to purchasing. Some jurisdictions may

- require permits for installation and use. Some special procedures may be valid in your area.
7. While this gazebo is manufactured to withstand strong force winds through only the supplied ground stakes, in areas subject to frequent severe weather, securing the gazebo to a deck, concrete patio or footings should be considered.
  8. Always ensure that the roof canvas is tensioned, so as to avoid water accumulation on the roof.
  9. Remove accumulated water on the roof immediately, or disassemble the gazebo in order to avoid damages.
  10. Four people are recommended for safe assembly.

**NOTE:** The gazebo's roof and structure are not guaranteed against extreme weather conditions (storms, high winds, etc.). If the gazebo is not dismantled for the winter, snow must be cleaned off regularly. Any damage caused by snow accumulation is not covered by the warranty.

### **Care & Maintenance:**

Our steel components for garden accessories and furniture are treated with rust inhibiting paint that protects it from rusting. However, due to the nature of steel, surface oxidation (rusting) will occur if these protective coatings are scratched. This is not a defect and thus not covered by the warranty.

To minimize this condition, we recommend care when assembling & handling the product to prevent scratching the paint. Should any scratching or damage occur, we recommend immediate touch-up with rust inhibiting paint.

Surface rust can also be easily removed with a very light application of common cooking oil. If surface oxidation (rusting) occurs and if no measure is taken to prevent this, the oxidation may start dripping onto deck or patio and caused damaging stains, which may be difficult to remove. This can be prevented if the above-mentioned measures are taken to keep the product from oxidizing.

## **GAZEBO ASSEMBLY INSTRUCTIONS**

Our clear, easy-to-follow, step-by-step instructions will guide you through the project from start to finish.

All you will need is a hammer (not included).

**DO NOT** assemble this item alone for your safety. Four people are necessary for smooth & safe installation.

Item identification: For ease of identification, all parts are labeled to correspond to the Step number in which the part is used.

**Have 4 or more people helping you when assembling or moving the product.**

## Parts List












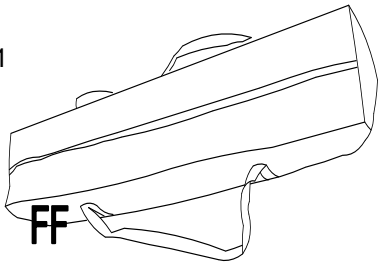
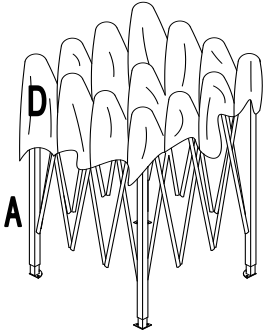
No.	Description	Qty	Image
A	Gazebo frame	1	
B	Connector	4	
C	Small canopy	1	
D	Large canopy	1	
E	Mosquito netting	1	
AA	Stakes	8	
BB	Large stakes	4	
CC	Rope	4	
DD	Netting rope	4	
EE	Rings	32	
FF	Bag	1	

Fig. 1



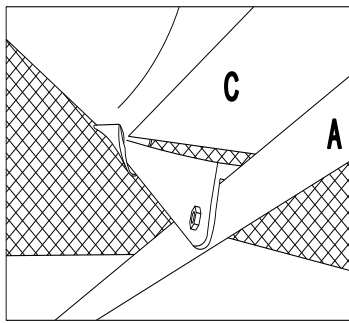
Step 1: Take out the gazebo (A) from the bag (FF).

Fig. 2



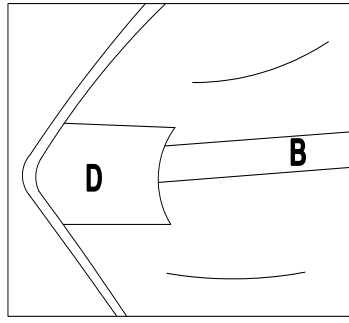
Step 2: Place the gazebo frame (A) upright and attach the large canopy (D) on top. Have four people holding the corner posts and pulling outwards.

Fig. 3



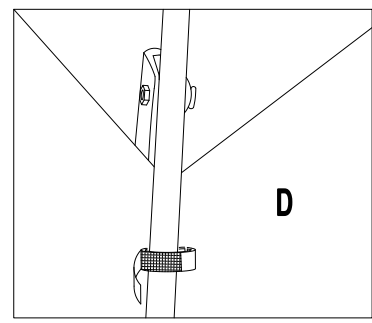
Step 3: Attach the Small canopy (C) to the plastic parts of the small top when pulling the gazebo outwards.

Fig. 4



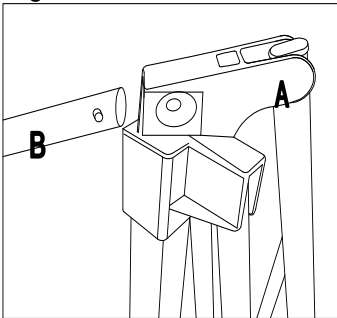
Step 4: Secure the large canopy (D) to four corners by using connectors (B)..

Fig. 4-1



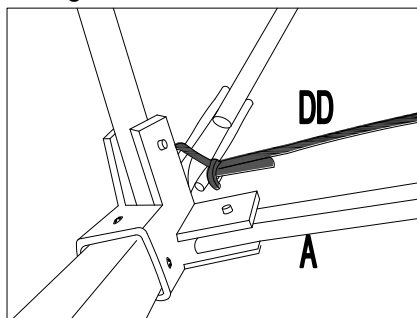
Step 4-1: Attach the velcro of the canopy (D) to gazebo frame (A).

Fig. 4-2



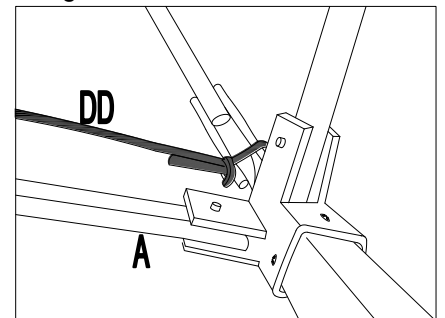
Step 4-2: Insert the other end of the connector (B) to the plastic buckle (A) and secure it to the spring buckle

Fig. 4-3



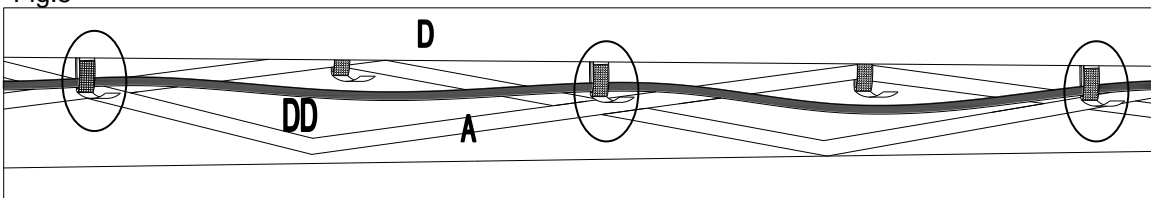
Step 4-3: Attach one end of netting rope (DD) to the corner of gazebo frame (A).

Fig. 4-4



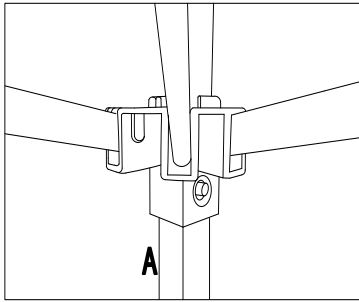
Step 4-4: Attach the other end of netting rope (DD) to other corner of gazebo frame (A).

Fig.5



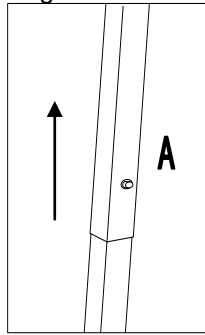
Step 5: Put the velcro of big canopy (D) onto gazebo frame (A), and put the netting rope (DD) through 3 velcro (which circled on the Fig 5 drawing) of big canopy (D), then tighten two sides of the Netting rope (DD).

Fig.6



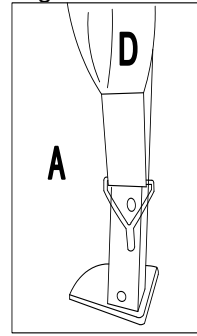
Step 6: Pull the plastic buckle of the gazebo (A) post to the spring buckle and secure it.

Fig.7



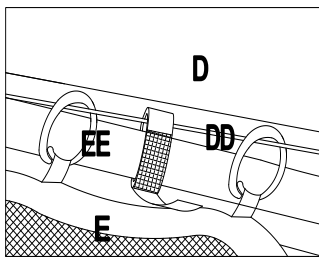
Step 7: Pull the gazebo post upwards, up to the spring buckle to secure in place.

Fig.8



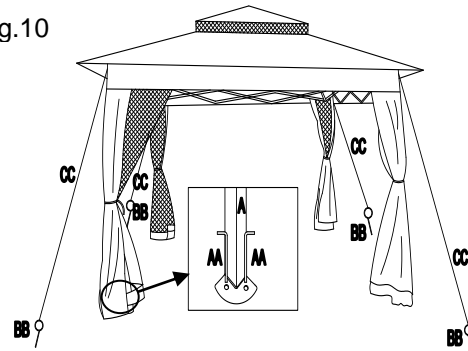
Step 8: Secure hooks on the large canopy (D) to the lower end of each post to tighten the large canopy.

Fig.9



Step 9: Attach mosquito netting (E) to the netting rope (DD) by using rings (EE).

Fig.10



Step 10: Secure the gazebo to the ground by using stakes (AA) and ropes (CC); tighten ropes on the corners of the large canopy (D) and secure each rope with large stakes (BB).

# WARRANTY

## (1-year warranty)

Thank you for purchasing this SUNJOY product. These products have been made to demanding, high-quality standards and are guaranteed for domestic use against manufacturing faults. This warranty does not affect your statutory rights.

In case of any malfunction of your SUNJOY Collection product (failure, missing part, etc.), please contact our service technicians at our toll-free service line at 1-866-578-6569 from 8:30 AM to 4:30 PM, Monday to Friday, Eastern time. You can also send Email to [customer.care@sunjoygroup.com](mailto:customer.care@sunjoygroup.com) for assistance. The manufacturer reserves the right to repair or replace the defective product, at its discretion.

The product is guaranteed if used for normal trade purposes. Any warranty is invalid if the product has been overloaded or subject to neglect, improper use or an attempted repair other than by an authorized agent. Heavy-duty or daily professional/commercial usage are not guaranteed. Due to continuous product improvement, we reserve the right to change the product specifications without prior notice.

---

**WARNING: KEEP ALL FLAME AND HEAT SOURCES AWAY FROM THIS TENT FABRIC.**

This tent is made with fabric that meets CPAI-84 specifications for flame resistance.

It is not fire proof. The fabric will burn if left in continuous contact with any flame source.