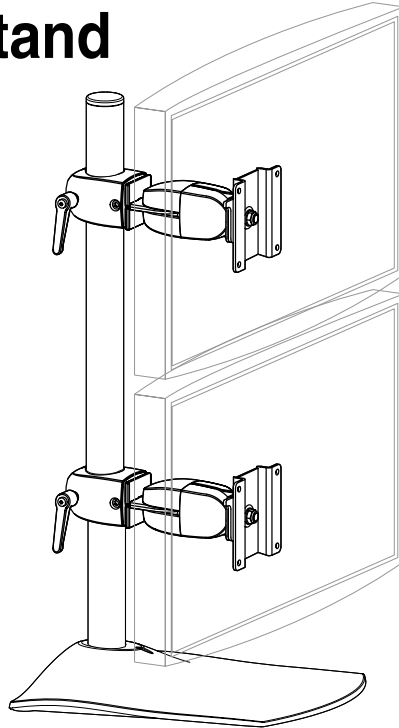
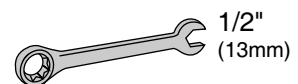
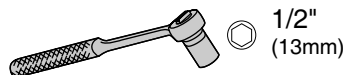
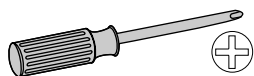


## DS100 Series Vertical Dual Monitor Desk Stand

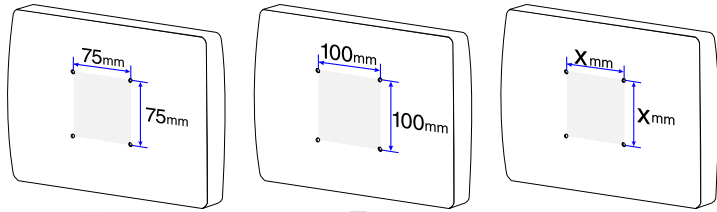
Ergotron USA 1-800-383-1916  
Ergotron Europe +31 20 312.29.39



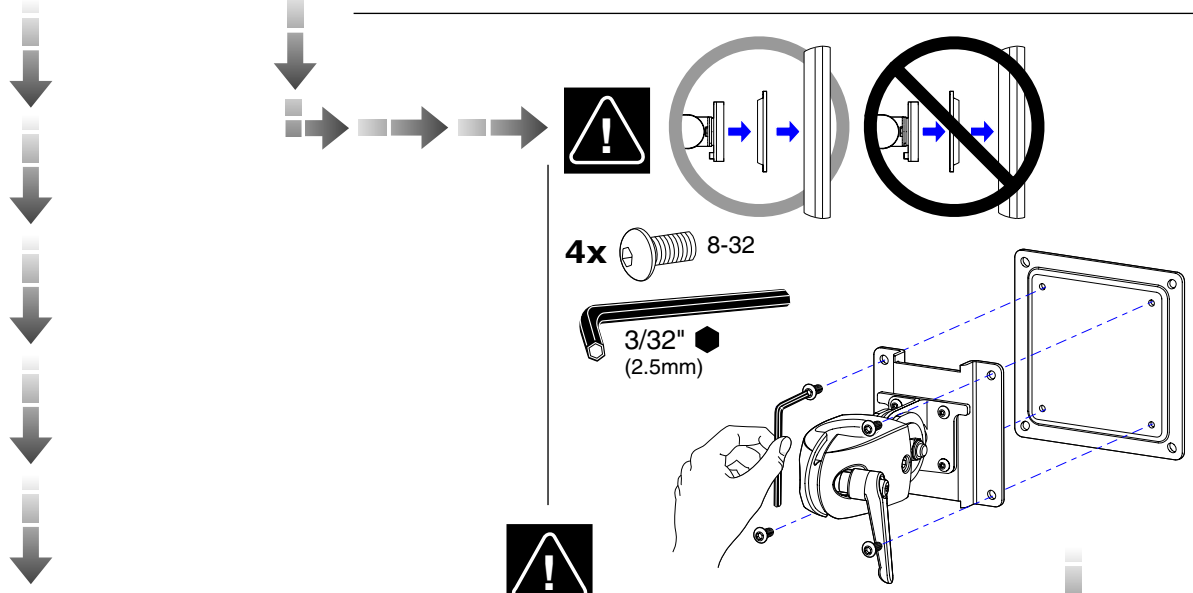
	A	B	C
1	1x 	2x 	2x  M4 x 10 mm #8-32 3/32" (2.38mm) 
2		1x 	1x  1/8" (3mm)
3	8x 	8x 	3x 



1

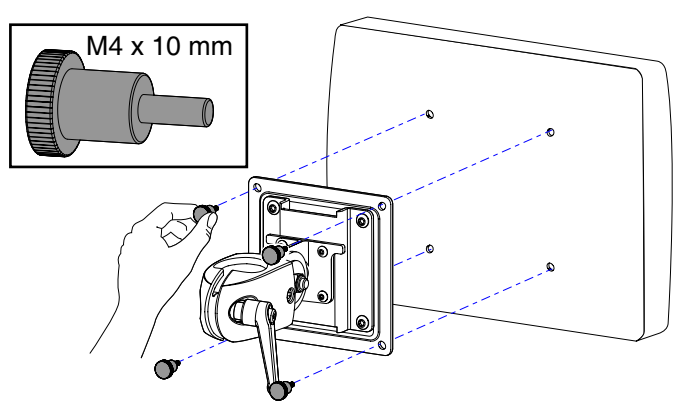
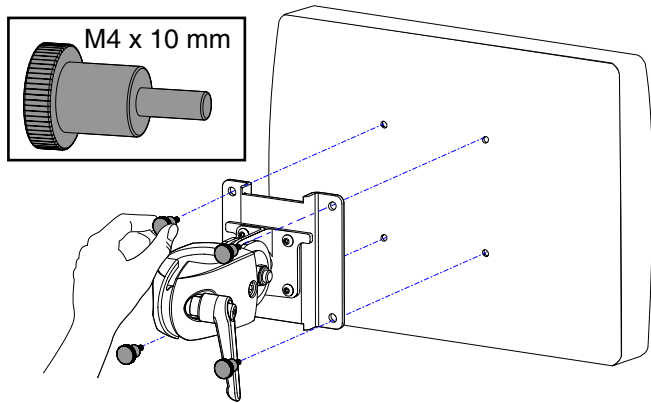
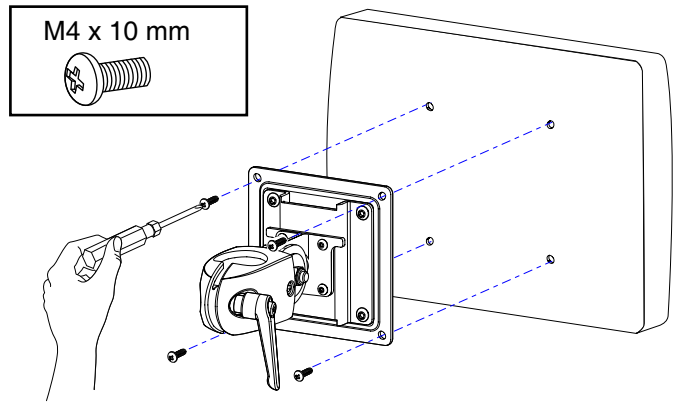
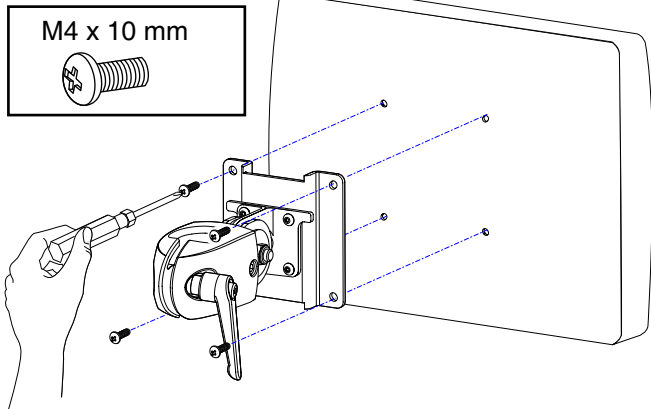


Ergotron USA 1-800-383-1916  
Ergotron Europe +31 20 312.29.39

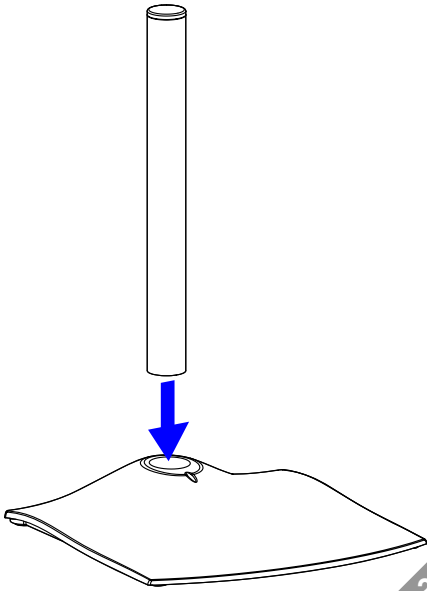


If your monitor uses a screw size other than M4 x 10mm, DO NOT use the M4 x 10mm screws or knob provided as they could result in damage to the monitor.

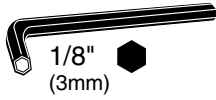
Indien uw monitor voorzien is van een ander type schroef dan de M4 X 10 mm, gebruik dan beslist niet de door Ergotron geleverde M4 X 10mm schroeven of schroefknoppen, want deze kunnen de monitor beschadigen.



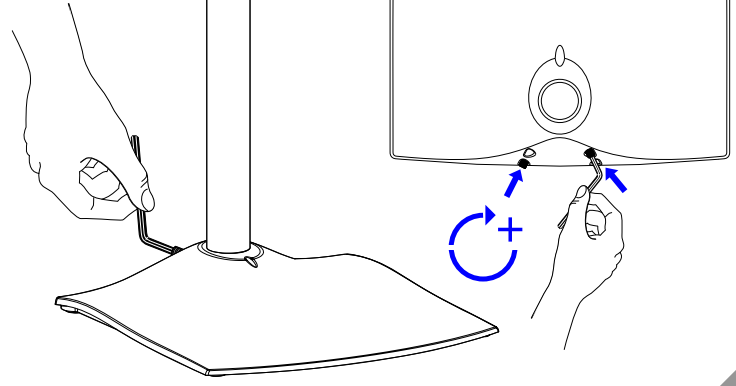
2



2a

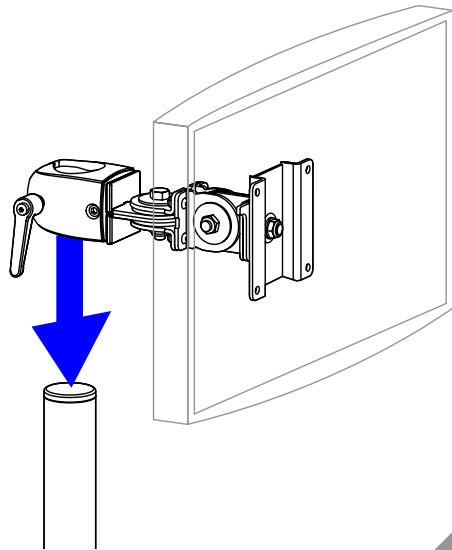


1/8" (3mm)

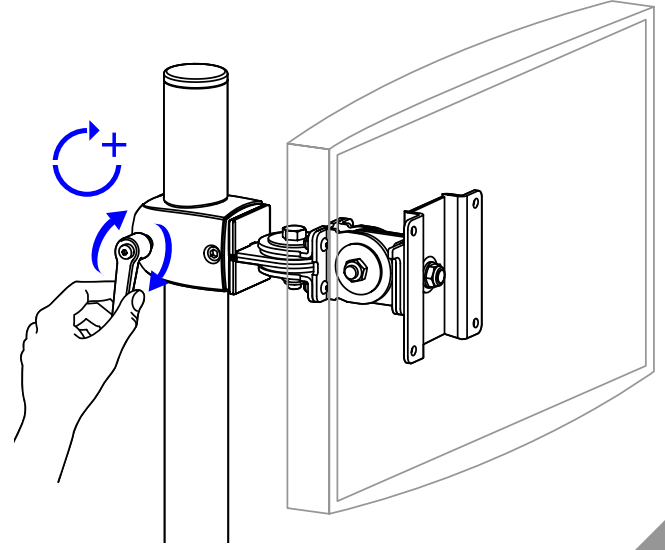


2b

3



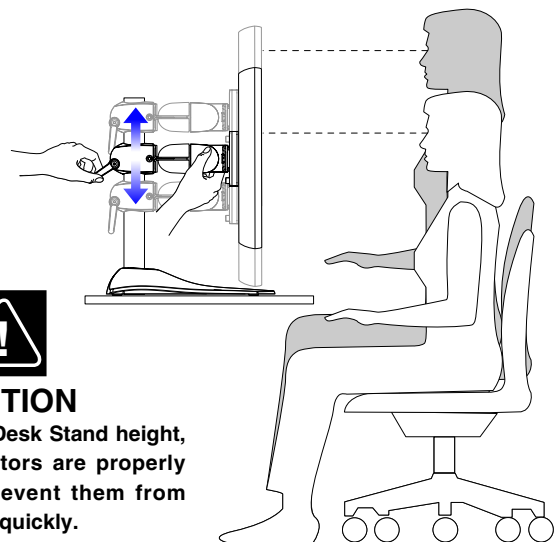
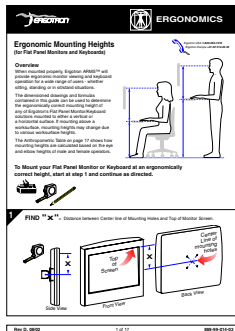
3a



3b



Ergonomics  
Ergonomía  
Ergonomie  
Ergonomi

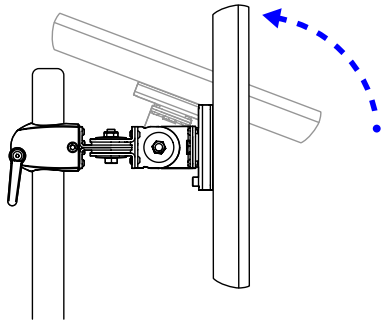


**CAUTION**

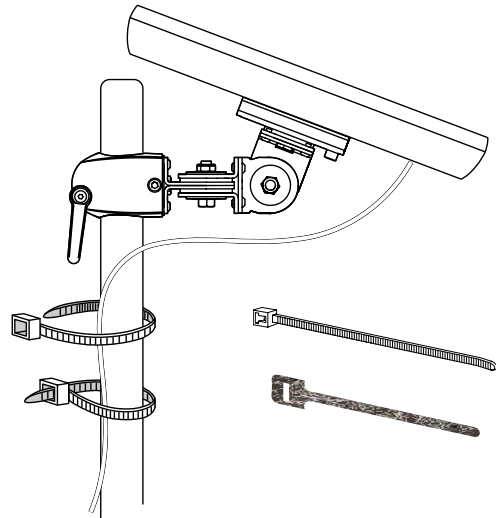
When adjusting Desk Stand height, make sure monitors are properly supported to prevent them from sliding down too quickly.

3c

4



4a



4b

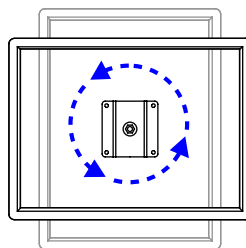
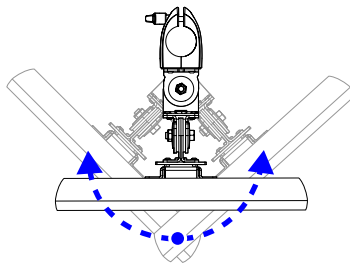
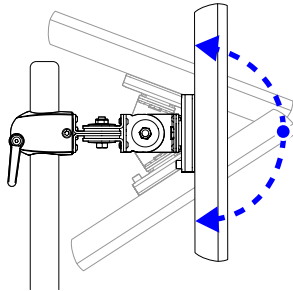
5

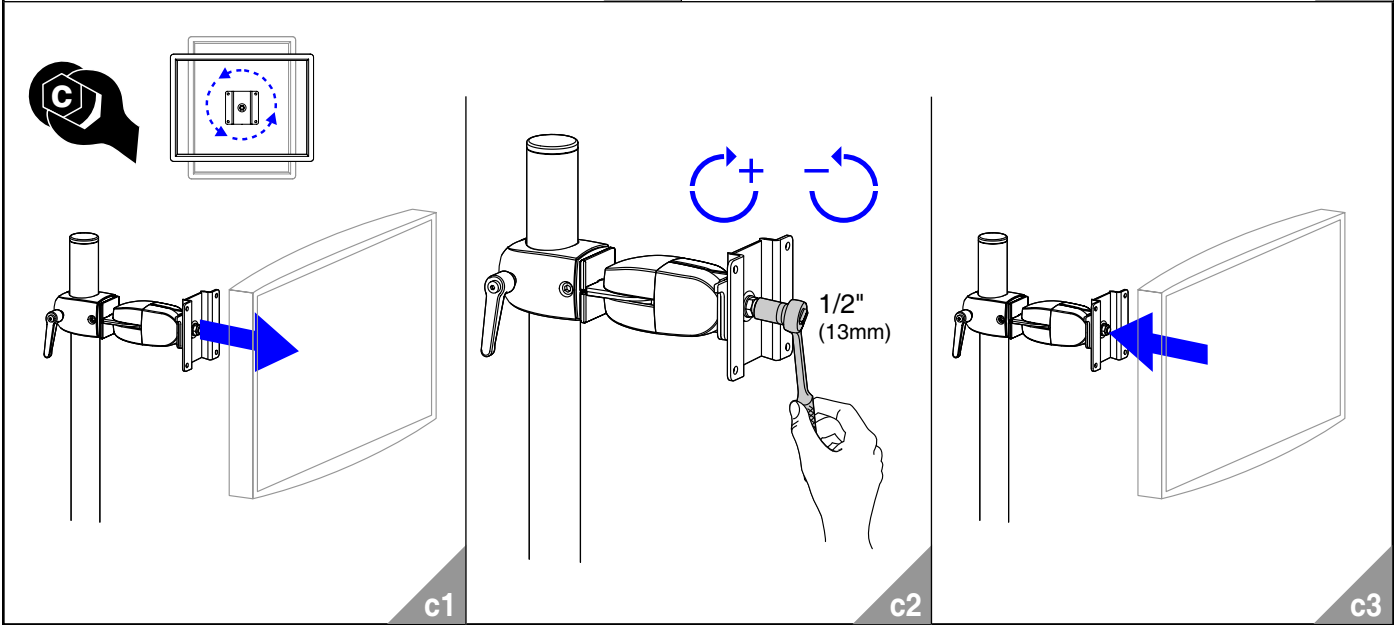
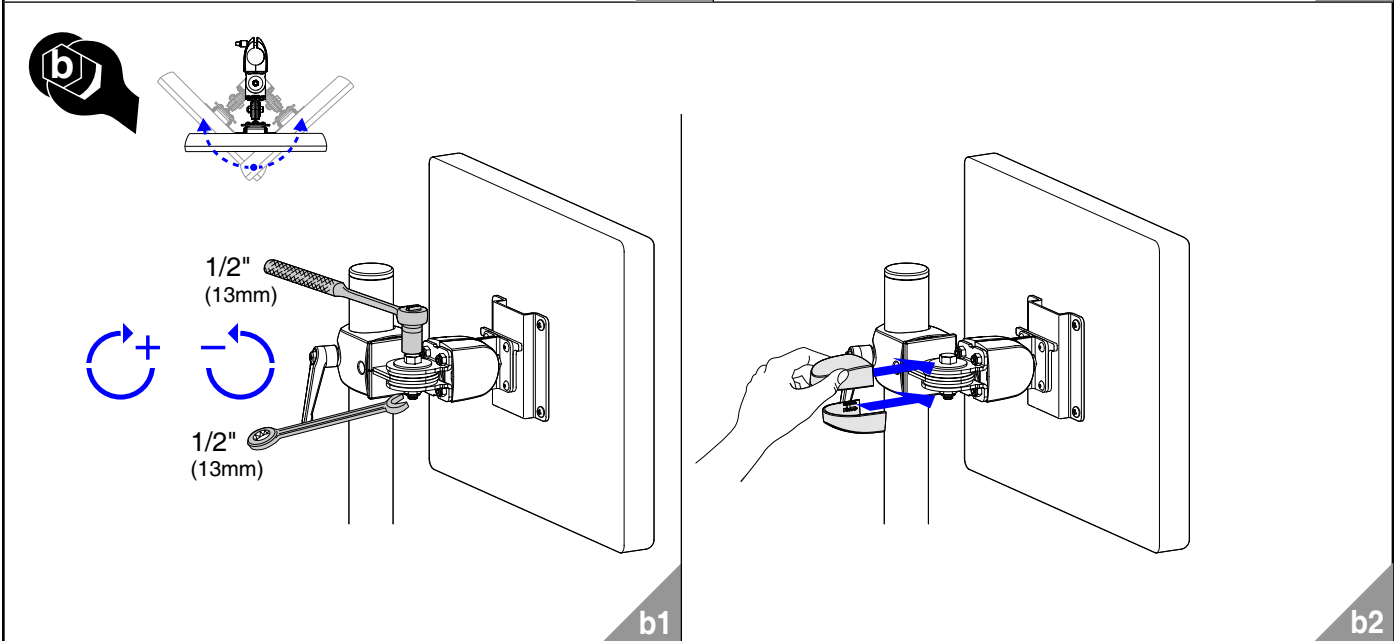
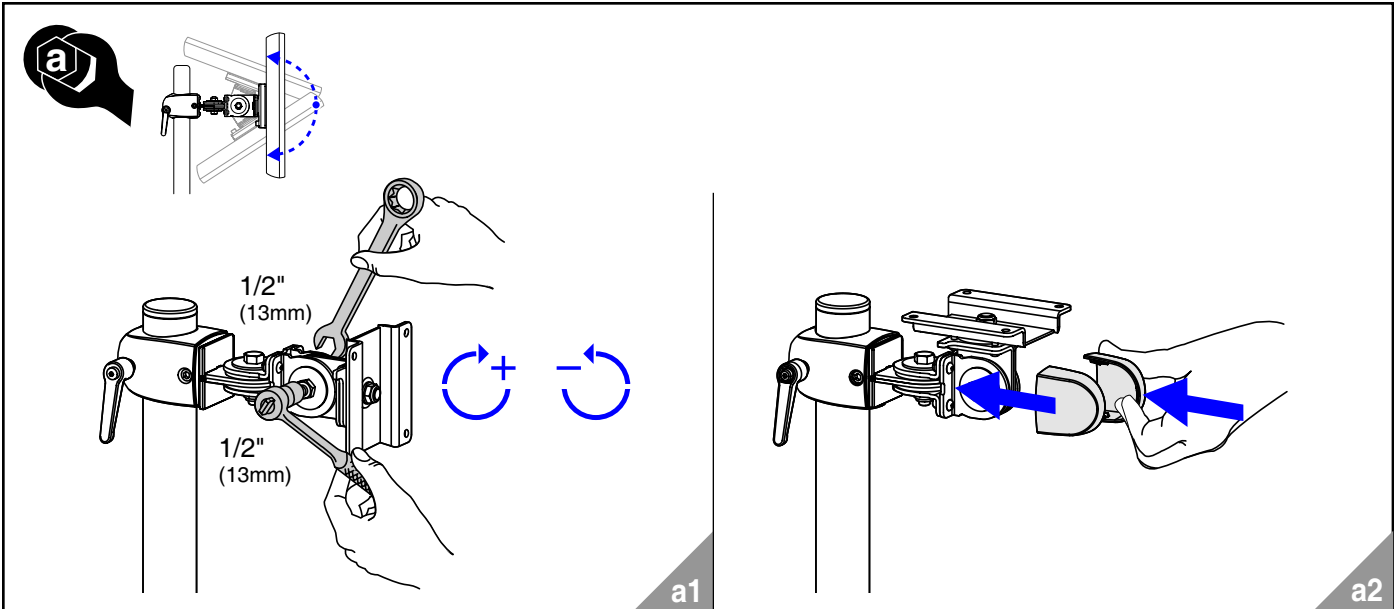


Adjustment  
 Justierung  
 Justierung  
 Ajustement  
 Bijstelling  
 Ajuste  
 Regolazione

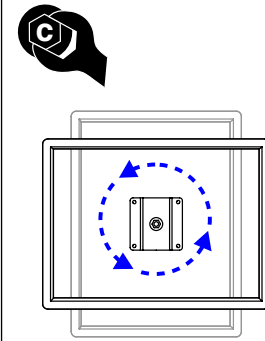
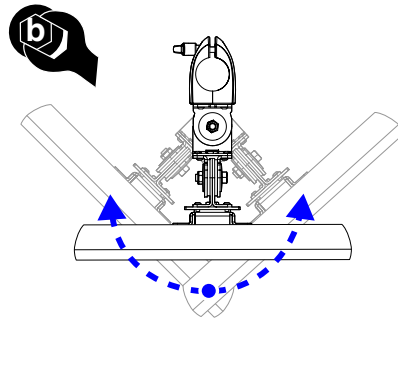
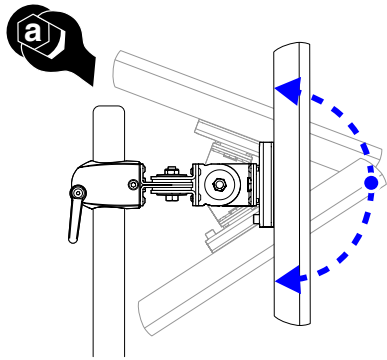
### OVERVIEW

Ergotron's DS100 Series Pivots are factory-set to provide positive pivot control and a smooth moving force throughout the entire pivot range of motion. To customize your installation, you will evaluate the operation of each Pivot function by moving the monitor through its full range of movement. If excessive force is required to pivot the monitor or if the monitor does not stay in the desired position, pivot adjustment is required. Adjust for a controlled motion of the monitor over the entire range of travel. Specific adjustment procedures for each function are found on the following page.





# ? TROUBLE SHOOTING



Symptom	Probable Cause	Solution
Monitor pivots up and down too difficult or too easy	Improper Pivot tension	
	Monitor exceeds weight capacity	<i>Ergotron USA 1-800-383-1916</i> <i>Ergotron Europe +31 20 312.29.39</i>
Monitor pivots side-to-side too difficult or too easy	Improper Pivot tension	
Monitor rotates from portrait to landscape too difficult or too easy	Improper Pivot tension	



**Replacement Parts**  
Vervangingsonderdelen



*Ergotron USA 1-800-383-1916*  
*Ergotron Europe +31 20 312.29.39*



1181 Trapp Road • St. Paul, MN 55121  
800-383-1916 • In Minnesota: 651-681-7600  
Fax: 651-681-7717 • www.ergotron.com

Patents Pending and Patented U.S. & Foreign.

Ergotron is a registered trademark of Ergotron, Inc.  
Reproduction of this material in whole or part for any purpose other than that authorized by Ergotron, Inc. is prohibited.  
© 2003 Ergotron, Inc. All rights reserved.