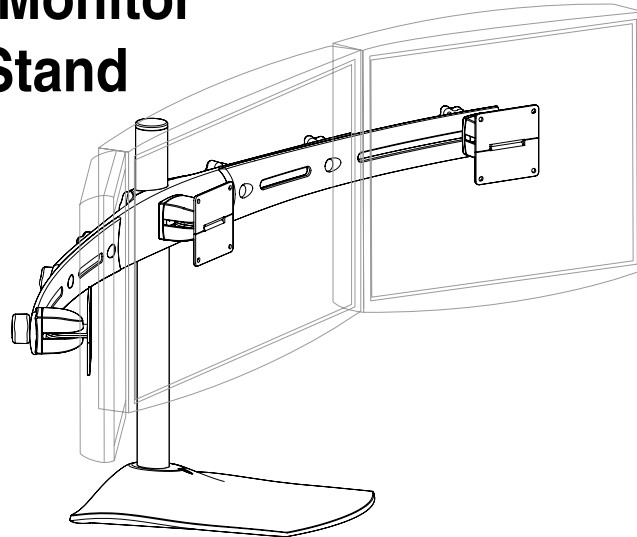


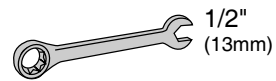
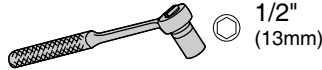
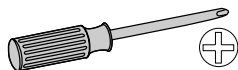
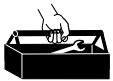
## DS100 Series Triple Monitor Desk Stand

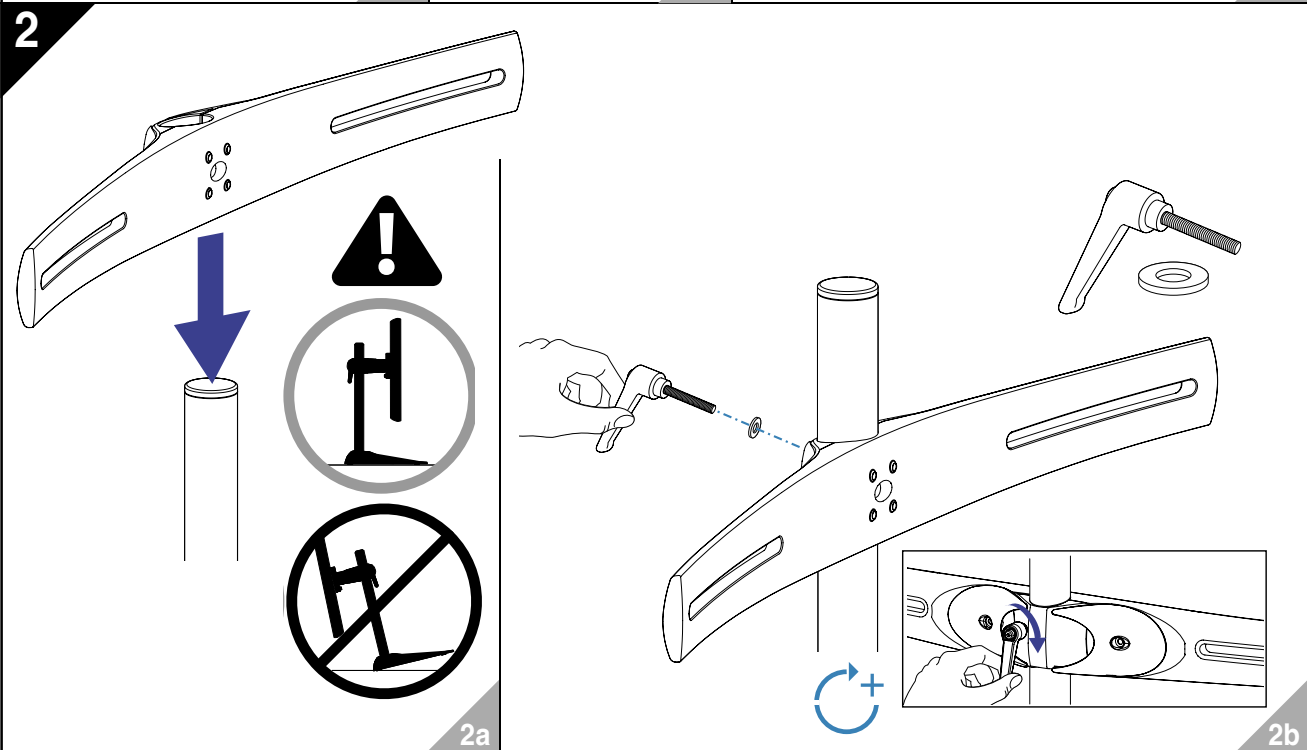
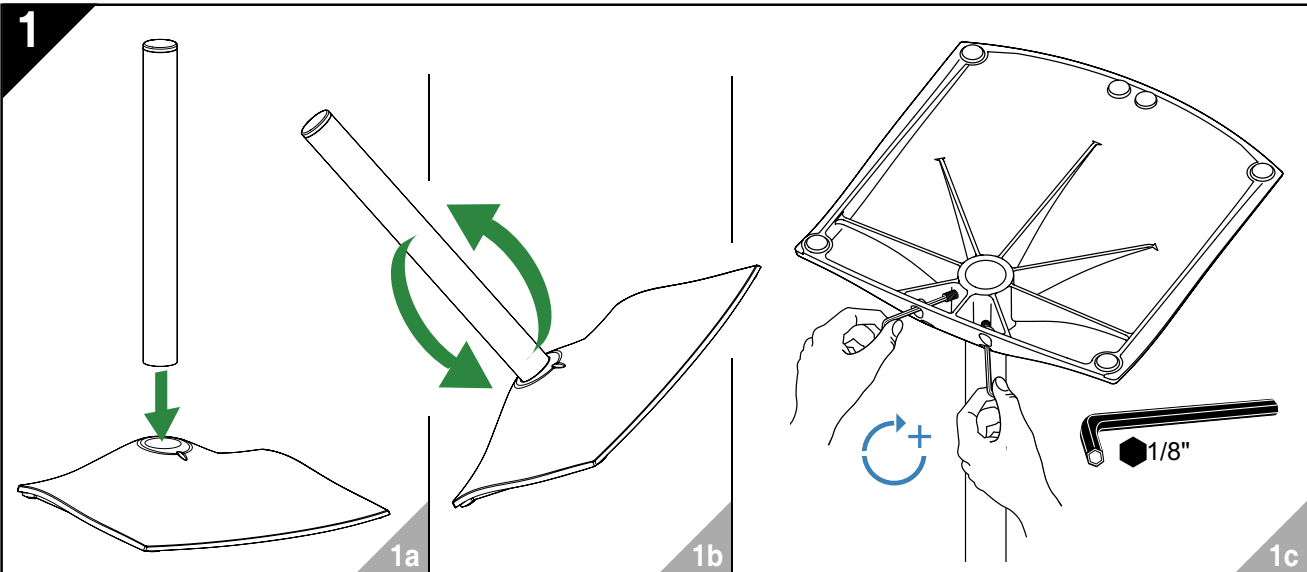


Ergotron USA 1-800-383-1916  
Ergotron Europe +31 20 312.29.39

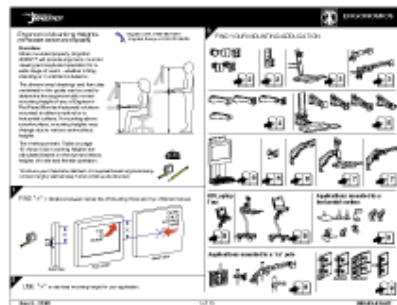
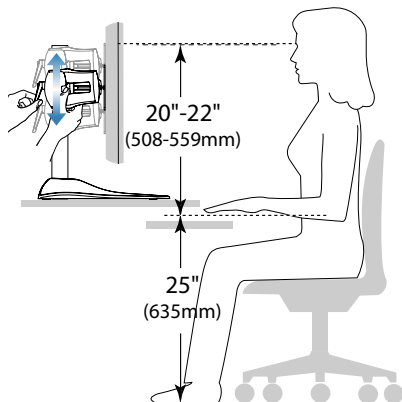


|   | A      | B                         | C                  | D  |
|---|--------|---------------------------|--------------------|--|
| 1 | 1x<br> | 1x<br>                    | 3x<br><br>75-100mm | M4 x 10 mm<br>M4 x 10 mm<br><br>#8-32<br>3/32" |
| 2 |        | 1x<br>                    | 2x<br>             | 2x<br>   |
| 3 |        | 4x<br><br>1/4-20 x 1-1/4" | 4x<br>             | 6x<br>   |
| 4 | 1x<br> | 1x<br><br>1/8"            | 8x<br>             | 3x<br>   |





Ergonomics  
Ergonomia  
Ergonomie  
Ergonomi

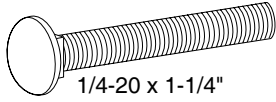


888-99-014

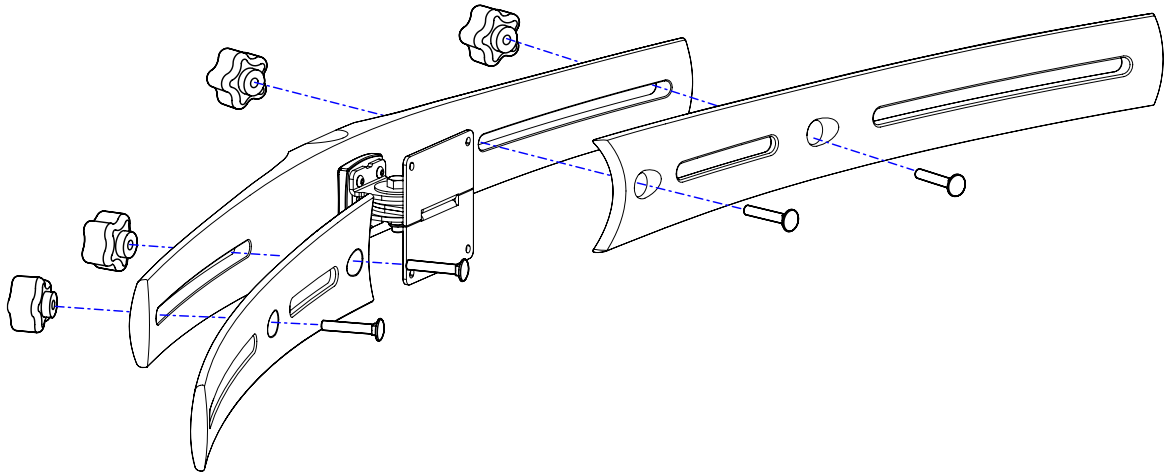
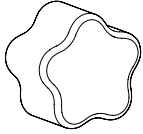
2c

**3**

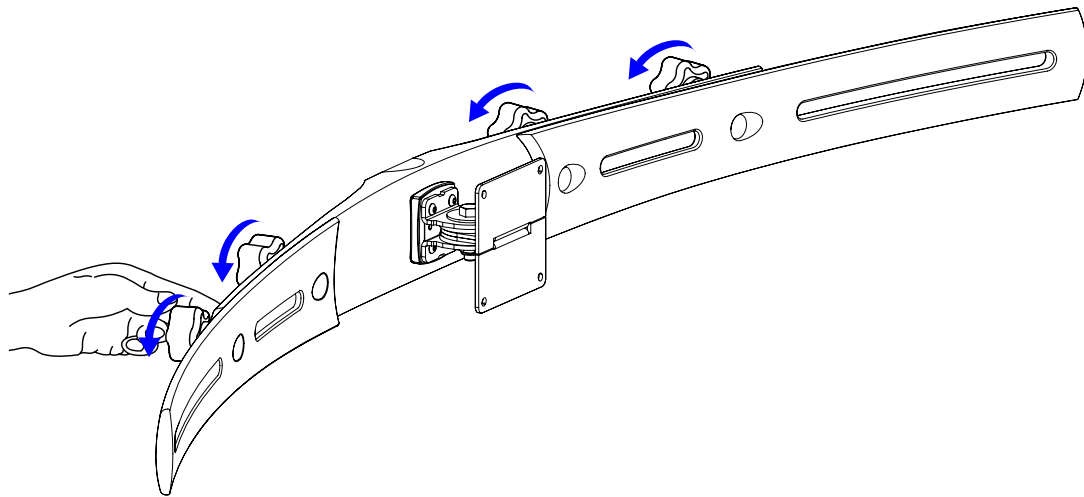
**4x**



**4x**



3a



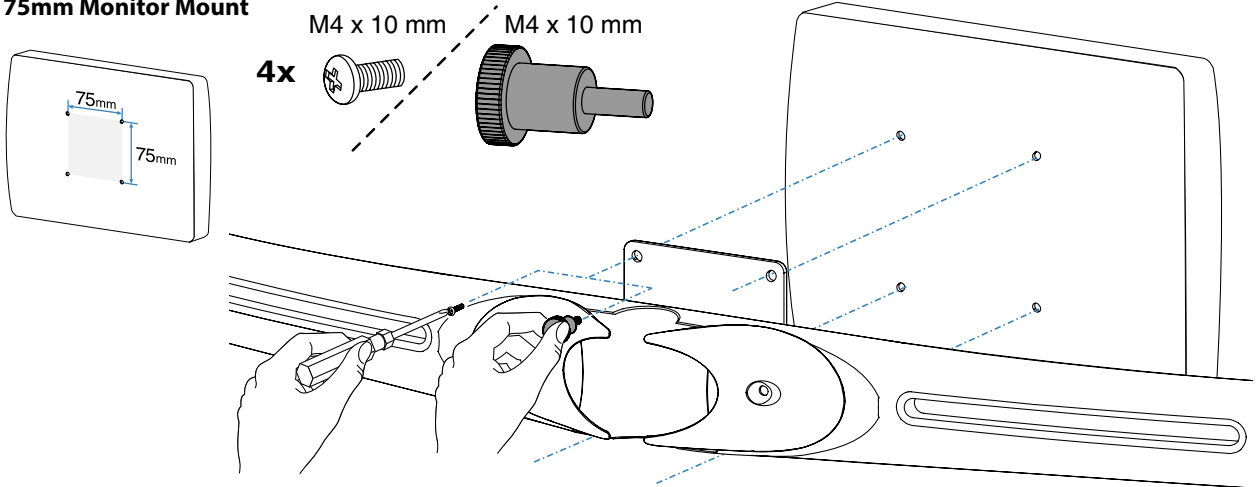
3b

4

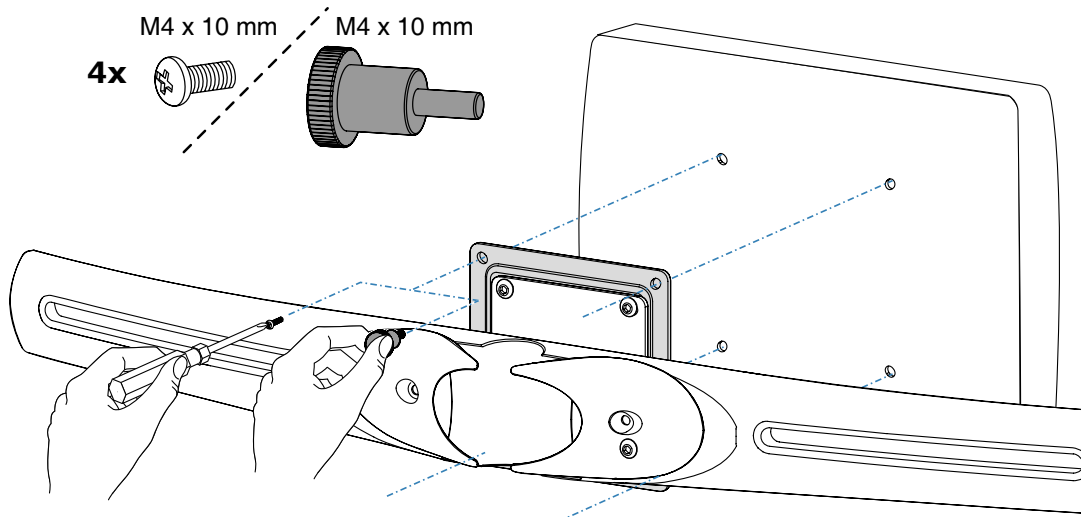
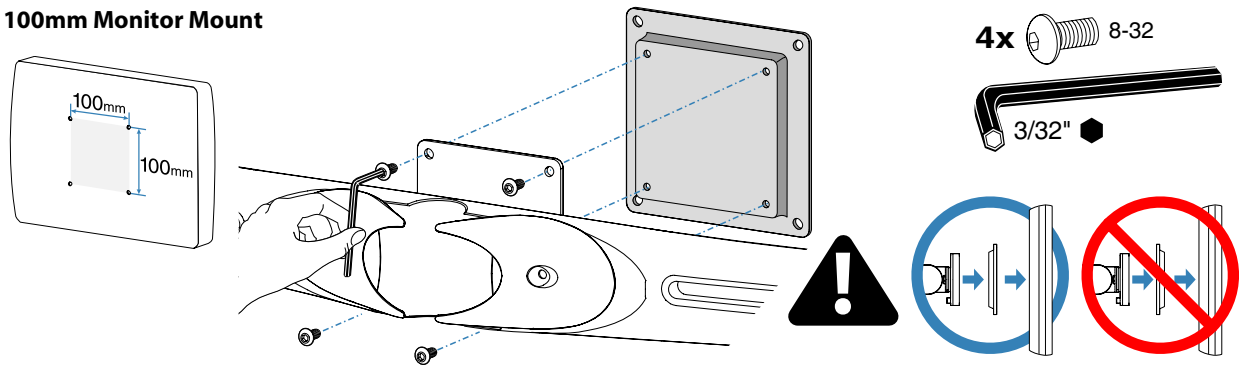


If your monitor uses a screw size other than M4 x 10mm, DO NOT use the M4 x 10mm screws or knob provided as they could result in damage to the monitor.

**75mm Monitor Mount**



**100mm Monitor Mount**

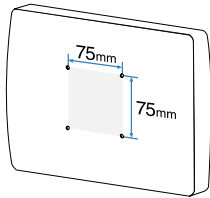


5



If your monitor uses a screw size other than M4 x 10mm, DO NOT use the M4 x 10mm screws or knob provided as they could result in damage to the monitor.

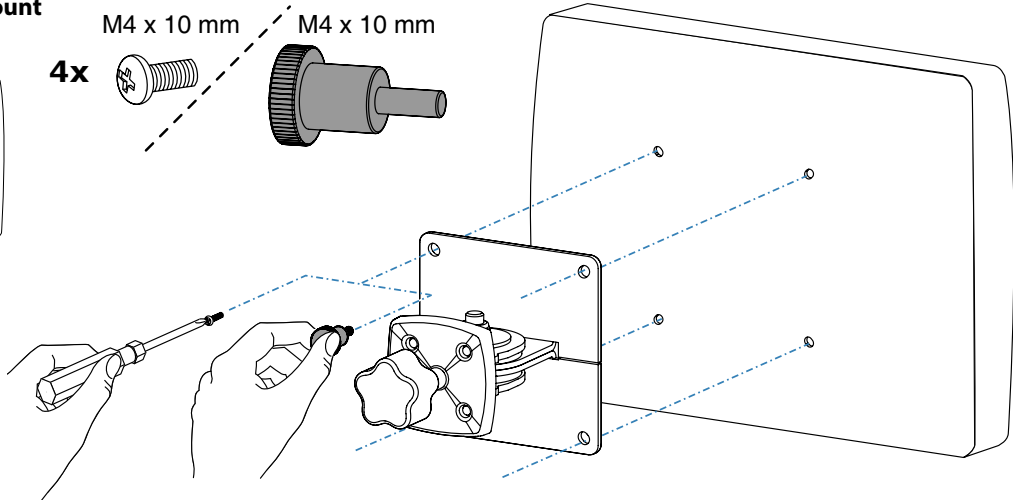
### 75mm Monitor Mount



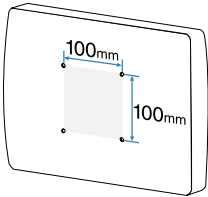
4x

M4 x 10 mm

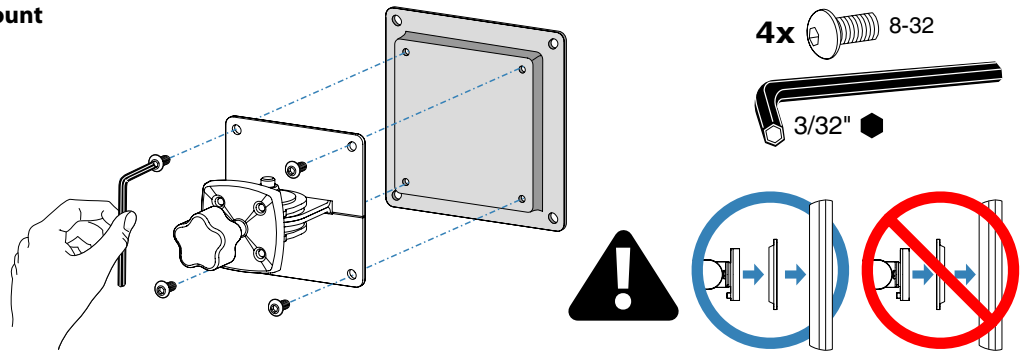
M4 x 10 mm



### 100mm Monitor Mount



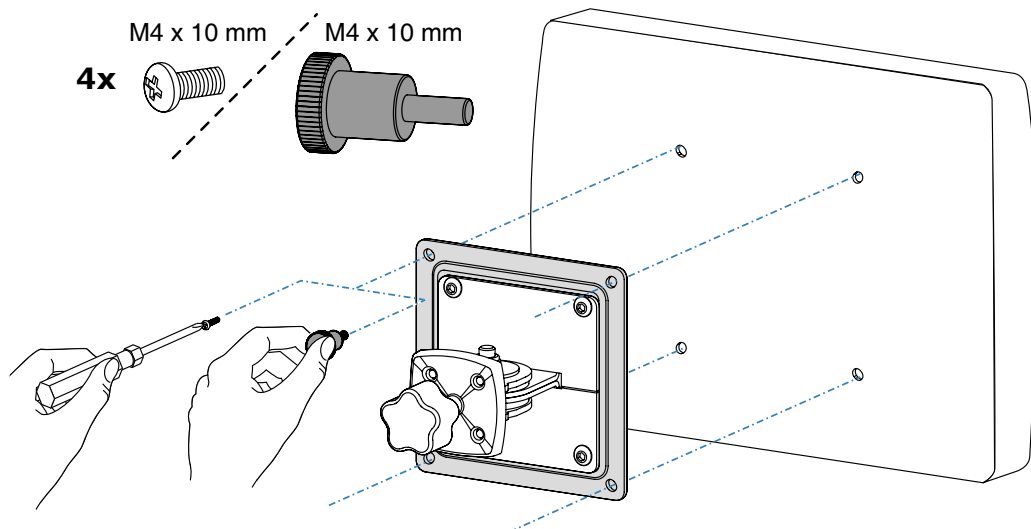
4x 8-32



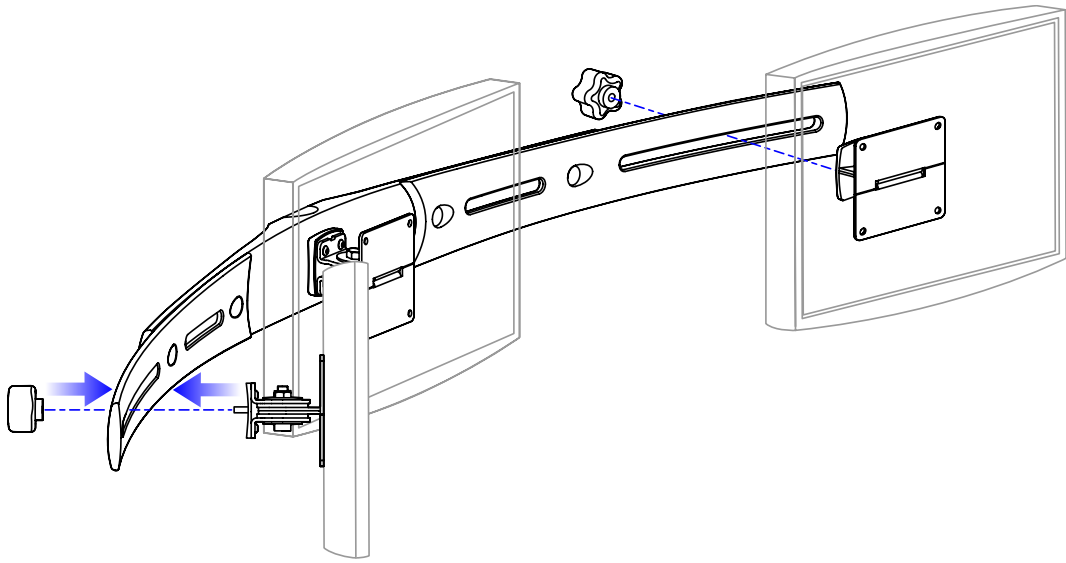
4x

M4 x 10 mm

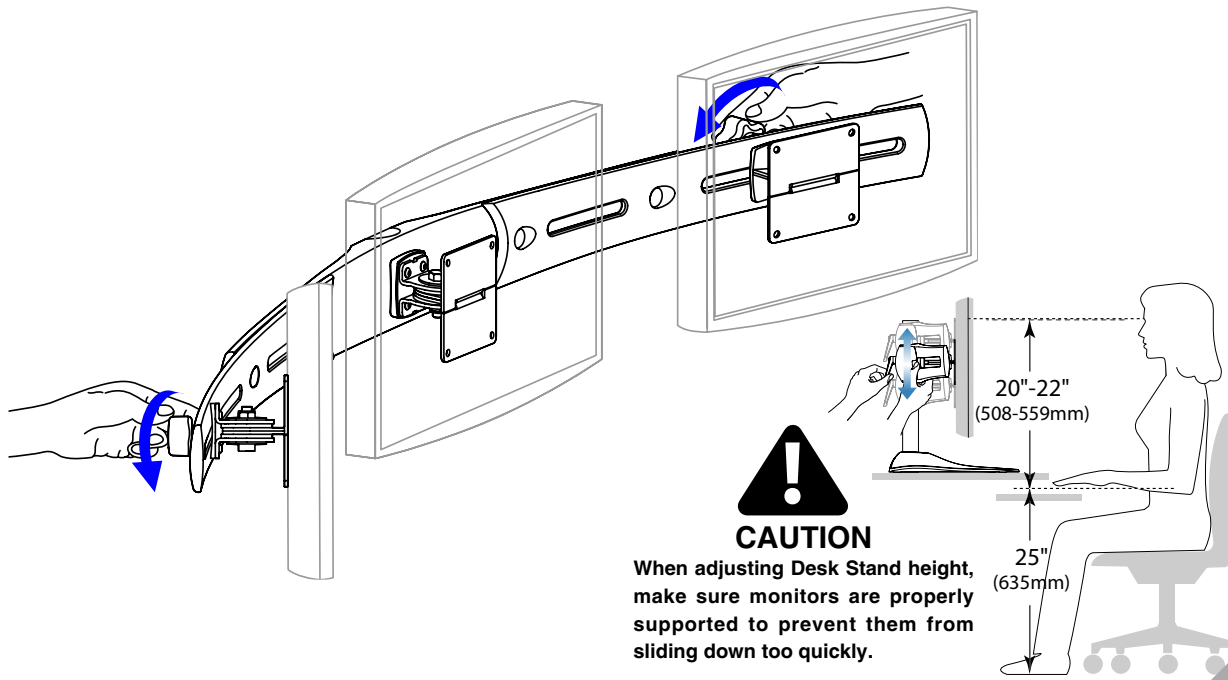
M4 x 10 mm



6



6a

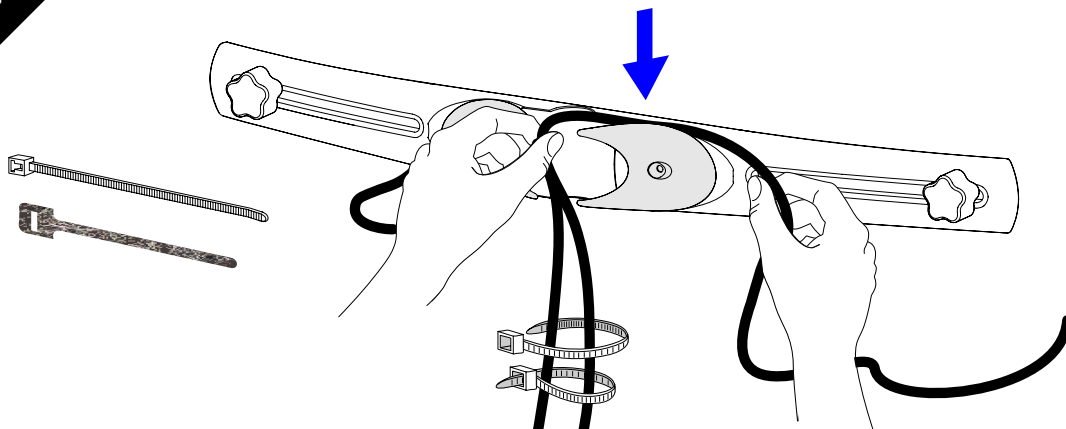


**CAUTION**

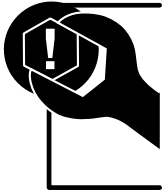
When adjusting Desk Stand height, make sure monitors are properly supported to prevent them from sliding down too quickly.

6b

7



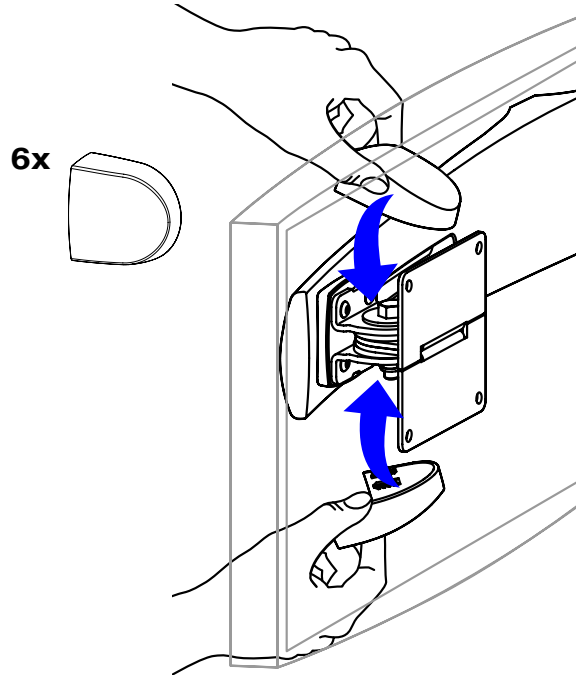
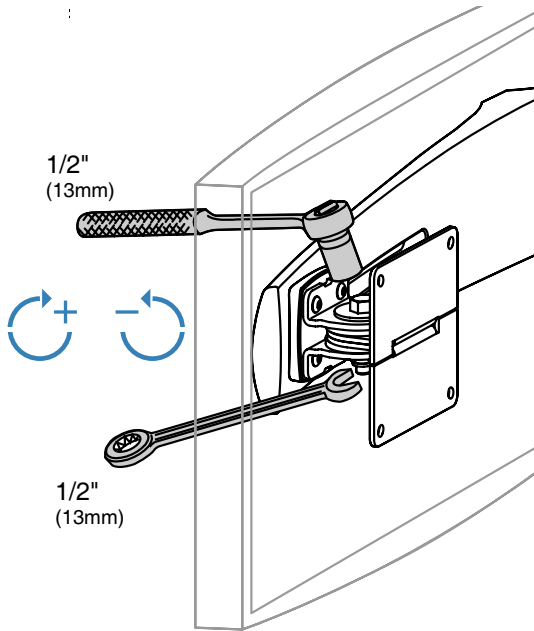
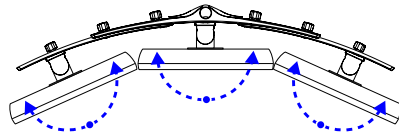
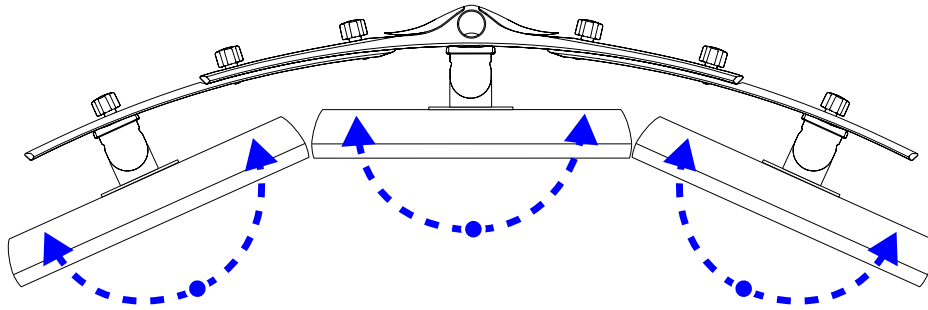
8



Adjustment  
Justering  
Justierung  
Ajustement  
Bijstelling  
Ajuste  
Regolazione

### OVERVIEW

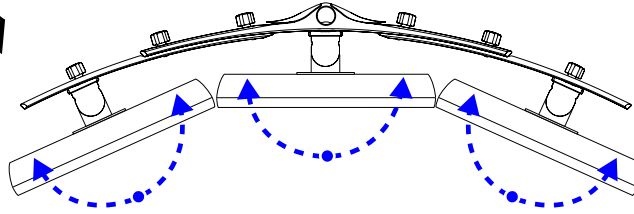
Ergotron's DS100 Series Pivots are factory-set to provide positive pivot control and a smooth moving force throughout the entire pivot range of motion. To customize your installation, you will evaluate the operation of each Pivot function by moving the monitor through its full range of movement. If excessive force is required to pivot the monitor or if the monitor does not stay in the desired position, pivot adjustment is required. Adjust for a controlled motion of the monitor over the entire range of travel.





a1

a2

# ? TROUBLE SHOOTING



| Symptom                                  | Probable Cause                  | Solution  |
|--|---------------------------------|---|
| Monitor pivots too difficult or too easy | Improper Pivot tension          | Adjust Pivot   |
|  | Monitor exceeds weight capacity |  Ergotron USA 1-800-383-1916<br>Ergotron Europe +31 20 312.29.39 |



1181 Trapp Road • St. Paul, MN 55121  
800-383-1916 • In Minnesota: 651-681-7600  
Fax: 651-681-7717 • www.ergotron.com

Patents Pending and Patented U.S. & Foreign.

Ergotron is a registered trademark of Ergotron, Inc.  
Reproduction of this material in whole or part for any purpose other than that authorized by Ergotron, Inc. is prohibited.  
© 2004 Ergotron, Inc. All rights reserved.