

# ASSEMBLY INSTRUCTION

---

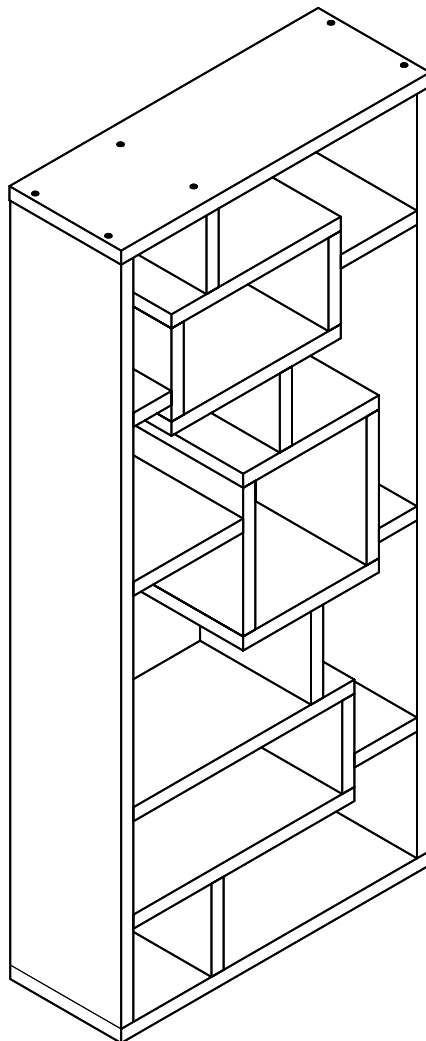
## PLEASE READ BEFORE ASSEMBLING!

Tip #1: Make sure you've taken all the pieces and hardware out of its packaging before discarding the box.

Tip #2: Using page 2 and/or page 3 of instruction manual make sure all pieces and hardware are accounted for.

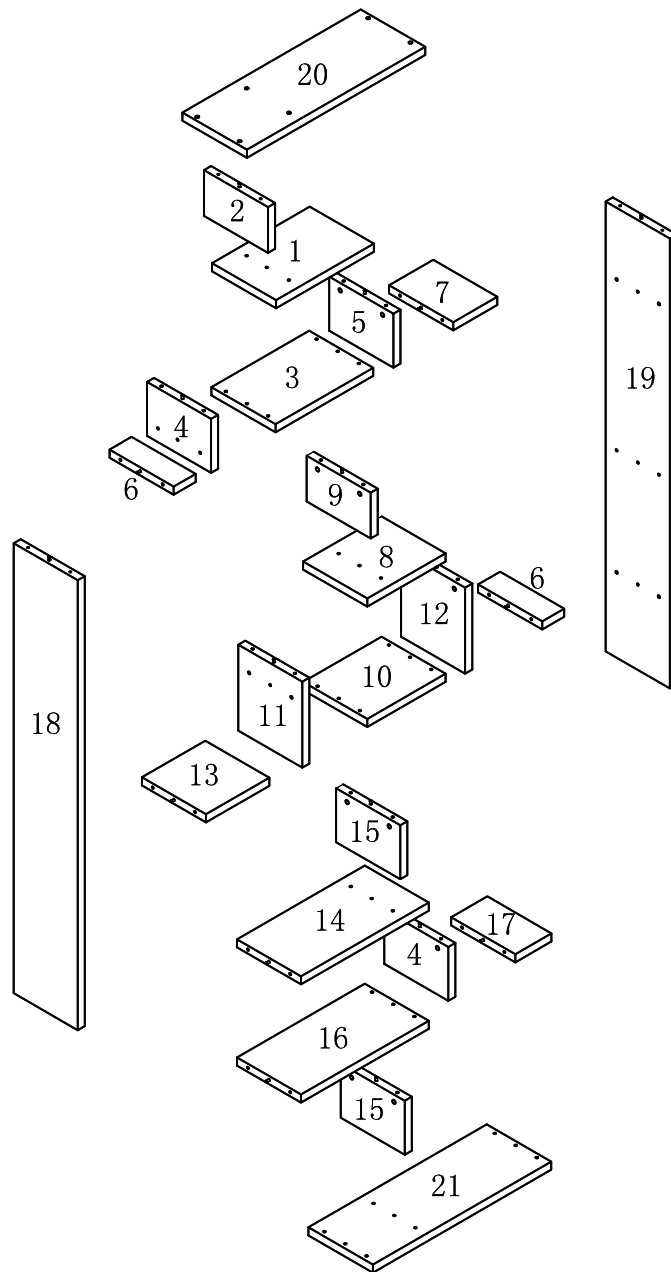
Tip #3: Read manual before assembling, it helps!

ITEM#: 26001



# PARTS IDENTIFICATION

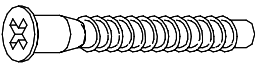

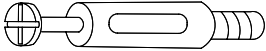
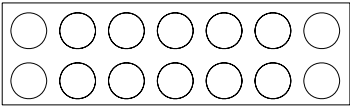
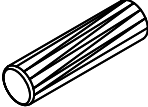

ITEM#: 26001



(1) 1pc	(8) 1pc	(15) 2pcs
(2) 1pc	(9) 1pc	(16) 1pc
(3) 1pc	(10) 1pc	(17) 1pc
(4) 2pcs	(11) 1pc	(18) 1pc
(5) 1pc	(12) 1pc	(19) 1pc
(6) 2pcs	(13) 1pc	(20) 1pc
(7) 1pc	(14) 1pc	(21) 1pc

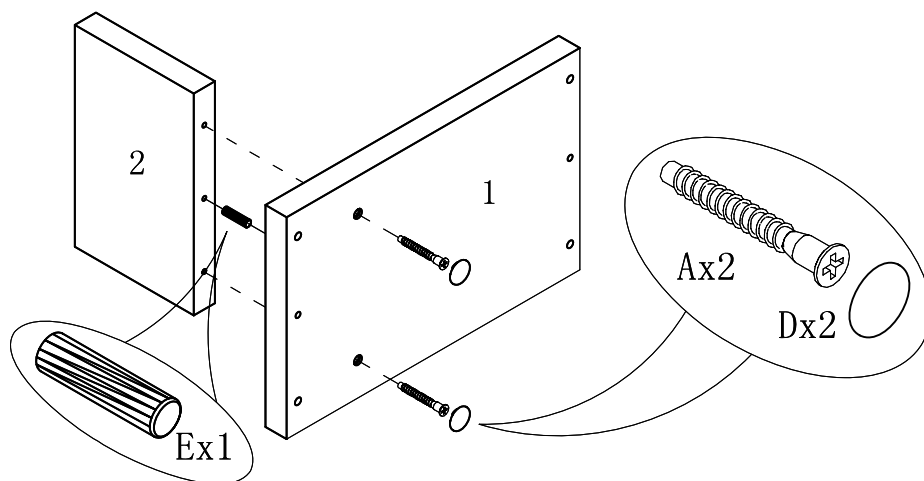
# HARDWARE IDENTIFICATION

ITEM#: 26001

A		$\phi 7 \times 58$	28pcs
B		$\phi 15$	40pcs
C		L29	40pcs
D			68pcs
E		$\phi 8 \times 25$	34pcs
F		It's used for stick the stopper to the connecting hole firmly	1pc

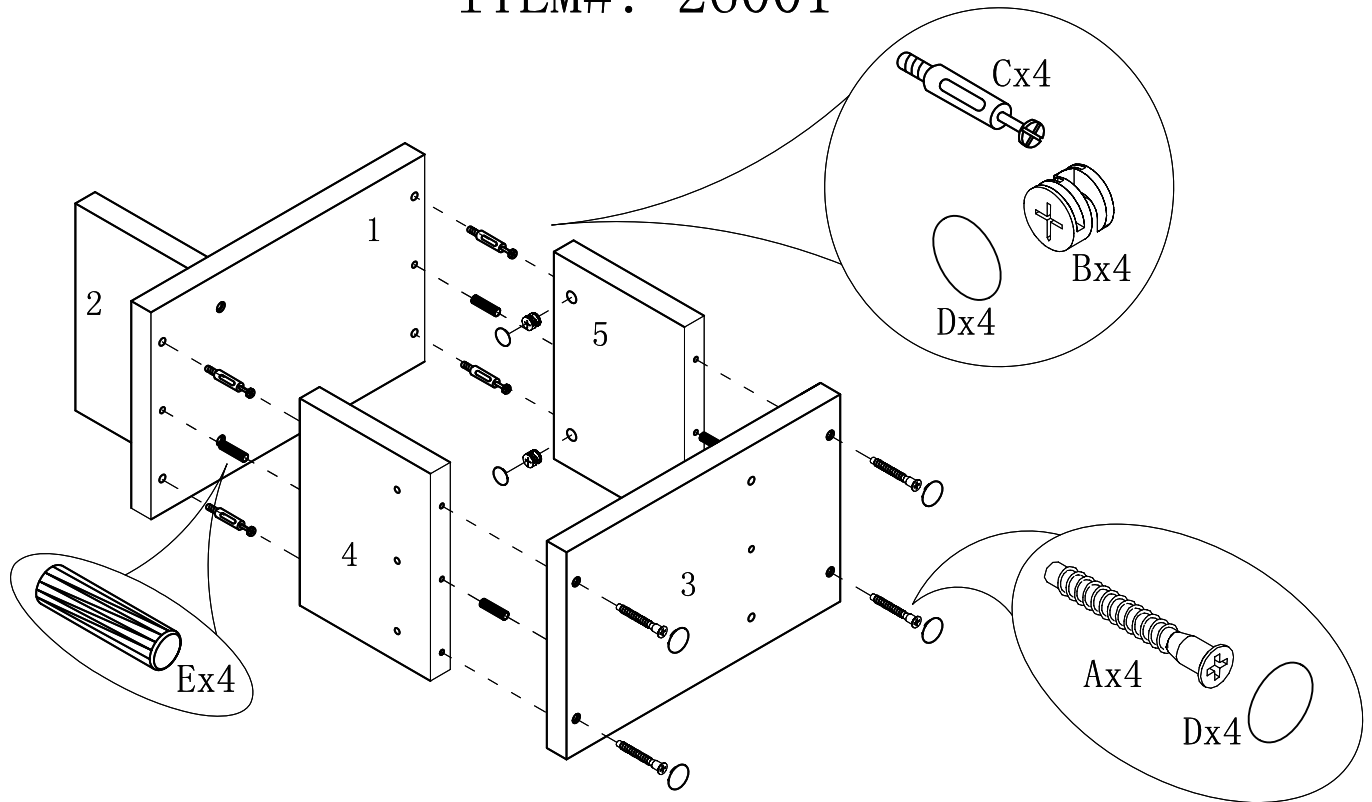
# ASSEMBLY INSTRUCTION

ITEM#: 26001



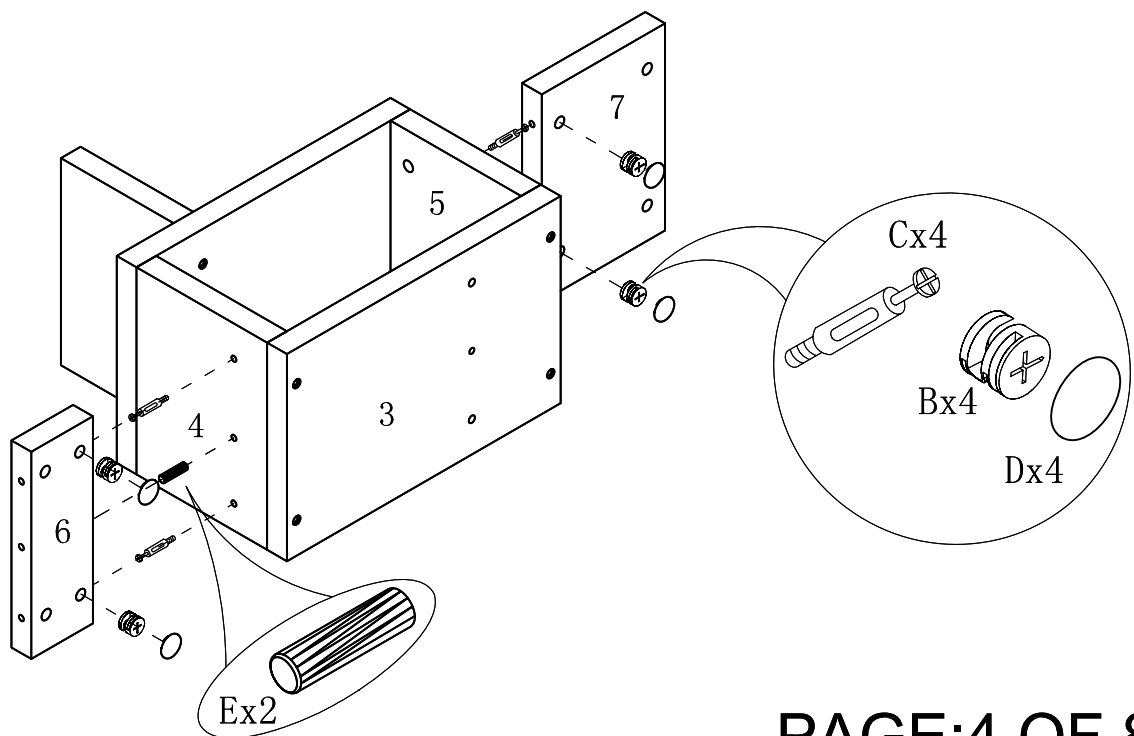
# ASSEMBLY INSTRUCTION

ITEM#: 26001



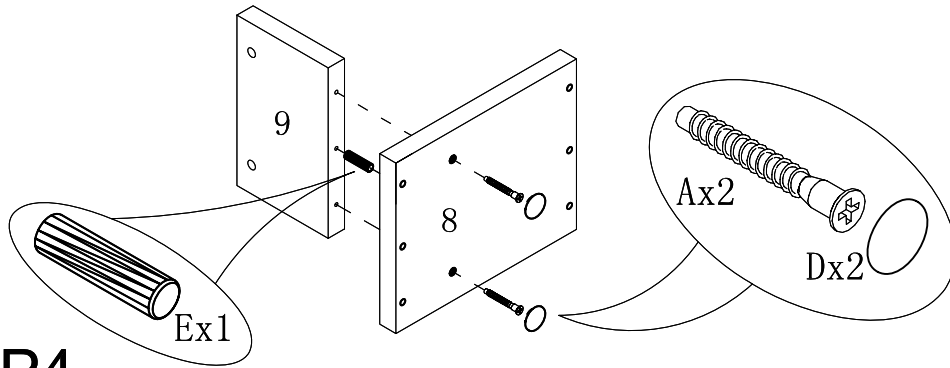
**STEP2**

**STEP3**



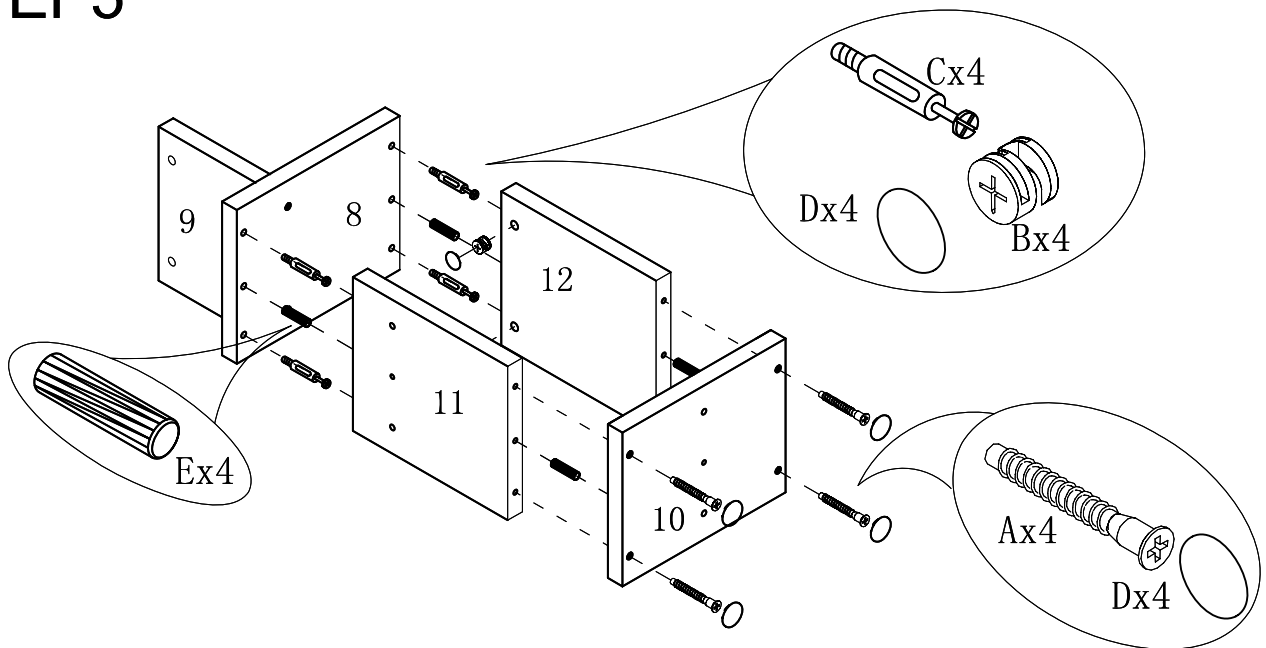
# ASSEMBLY INSTRUCTION

ITEM#: 26001

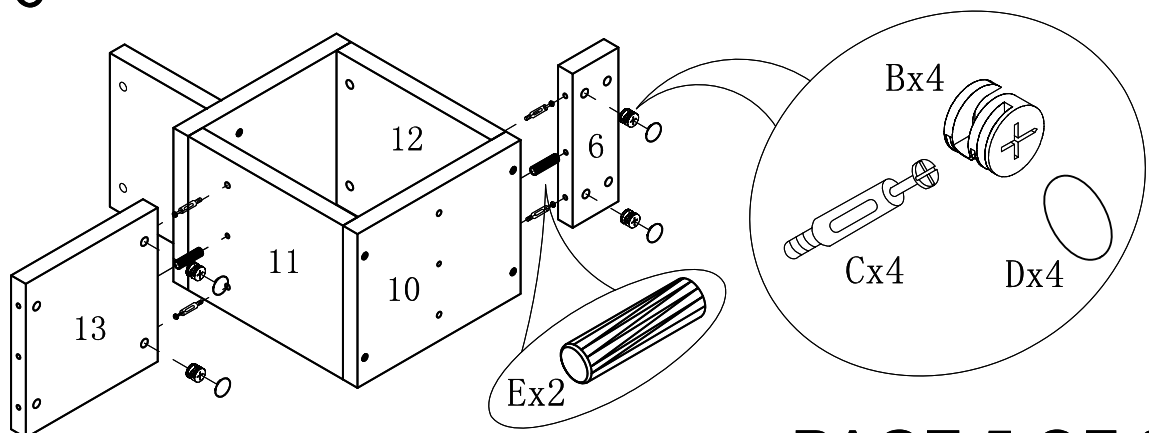


STEP4

STEP5



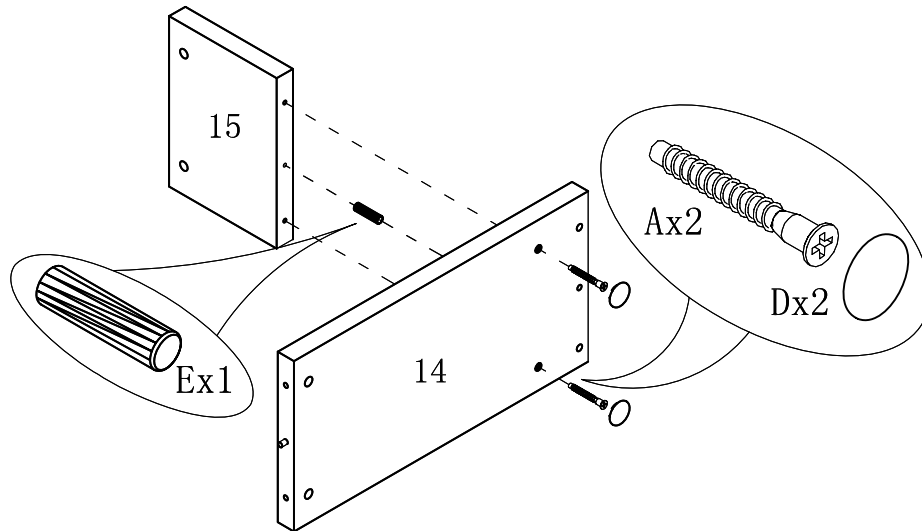
STEP6



PAGE:5 OF 8

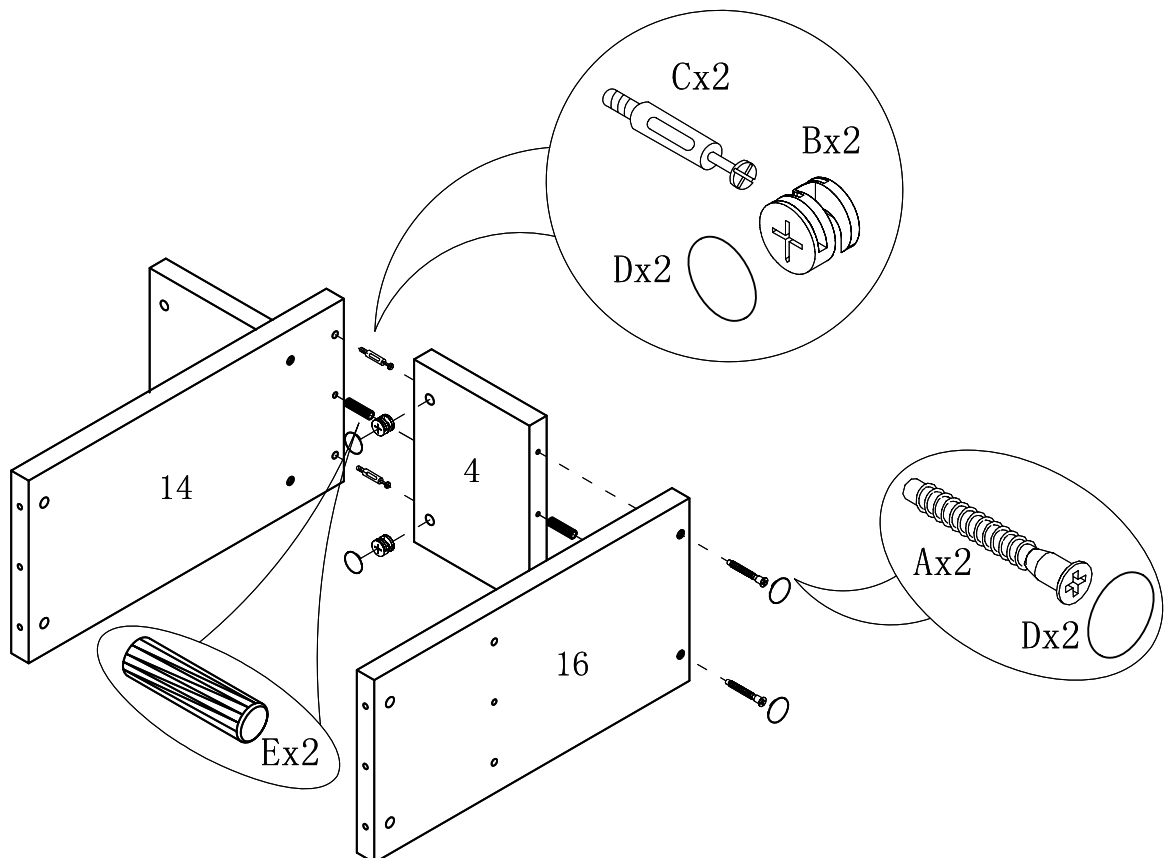
# ASSEMBLY INSTRUCTION

ITEM#: 26001



STEP7

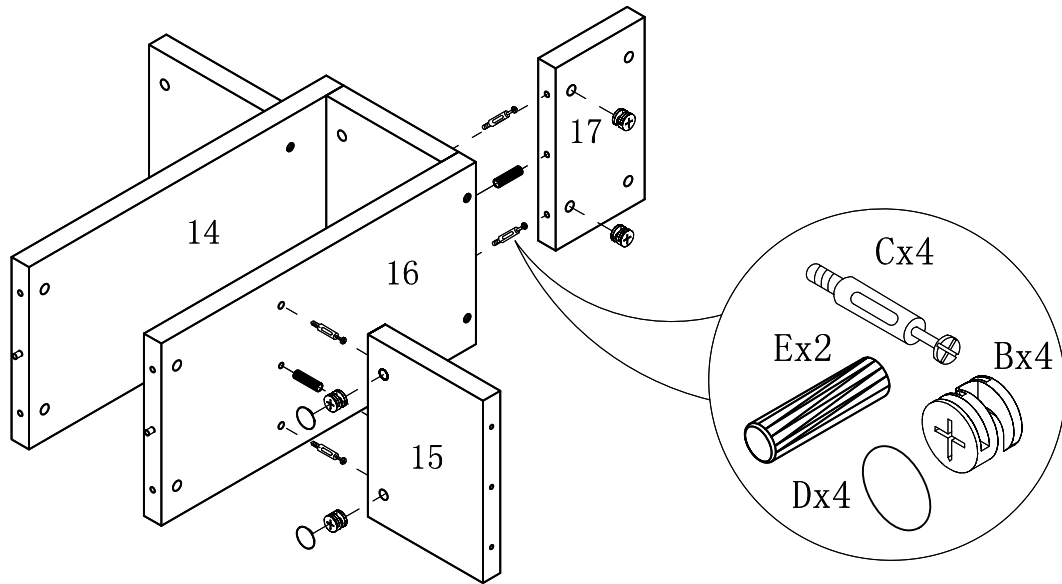
STEP8



PAGE:6 OF 8

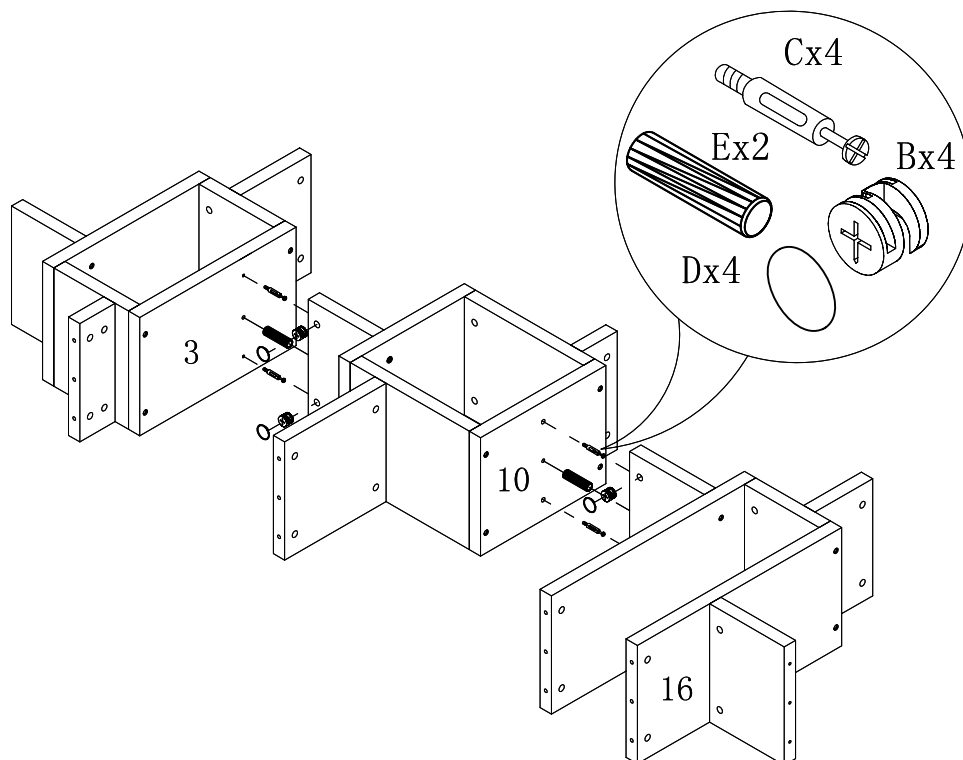
# ASSEMBLY INSTRUCTION

ITEM#: 26001



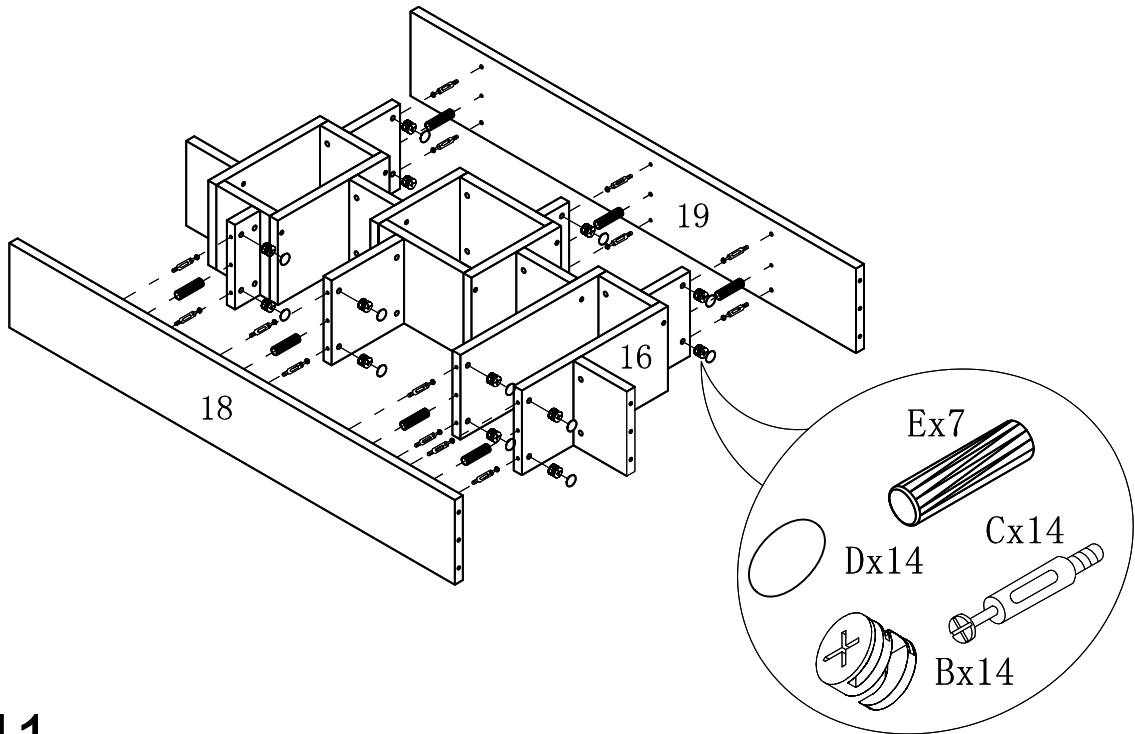
STEP9

STEP10



# ASSEMBLY INSTRUCTION

ITEM#: 26001



STEP11

STEP12

