

ASSEMBLY INSTRUCTION

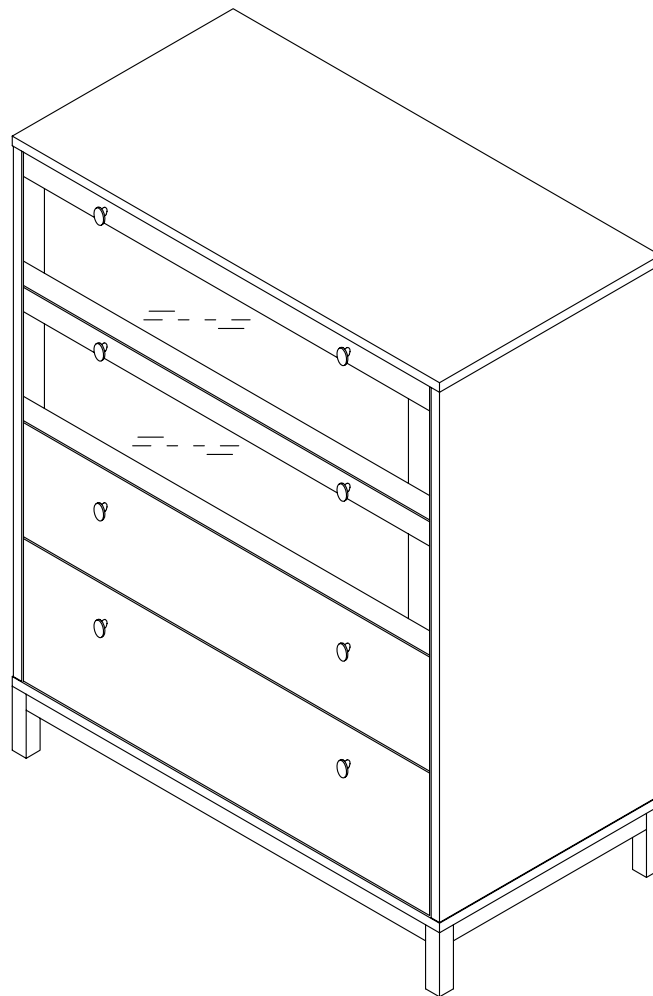
PLEASE READ BEFORE ASSEMBLING!

Tip #1: Make sure you've taken all the pieces and hardware out of its packaging before discarding the box.

Tip #2: Using page 2 and/or page 3 of instruction manual make sure all pieces and hardware are accounted for.

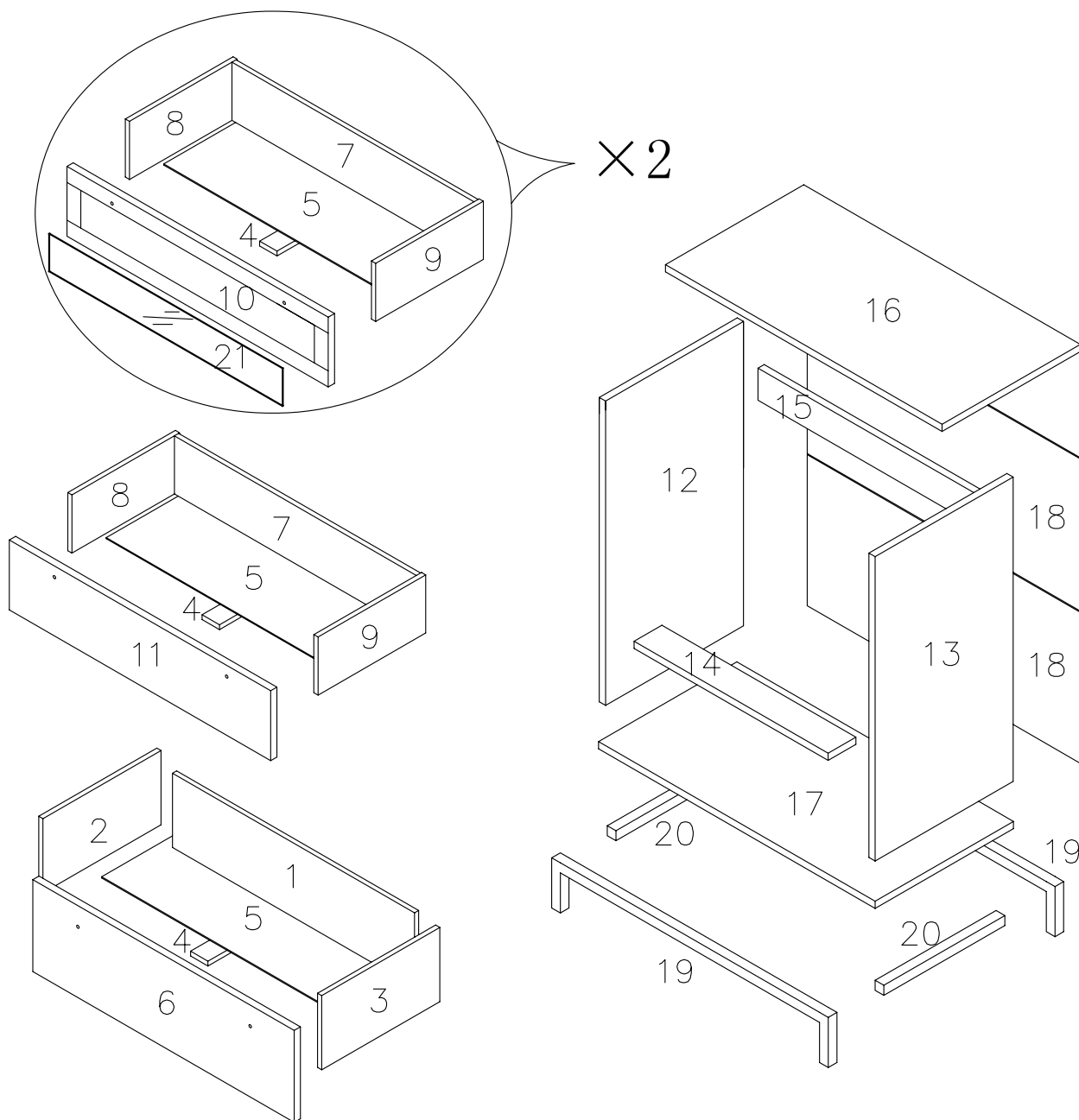
Tip #3: Read manual before assembling, it helps!

ITEM#:413



PARTS IDENTIFICATION

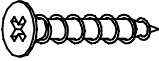

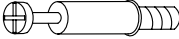






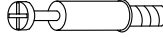
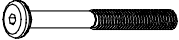

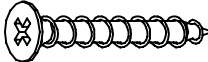
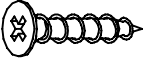
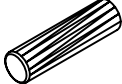
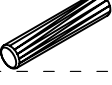



ITEM#: 413



(1)	1pc	(8)	3pcs	(15)	1pc
(2)	1pc	(9)	3pcs	(16)	1pc
(3)	1pc	(10)	2pcs	(17)	1pc
(4)	4pcs	(11)	1pc	(18)	2pcs
(5)	4pcs	(12)	1pc	(19)	2pcs
(6)	1pc	(13)	1pc	(20)	2pcs
(7)	3pcs	(14)	1pc	(21)	2pcs

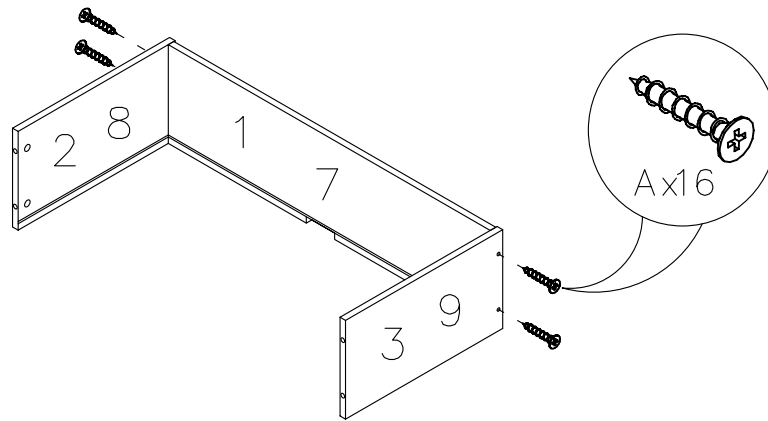
HARDWARE IDENTIFICATION

ITEM#: 413

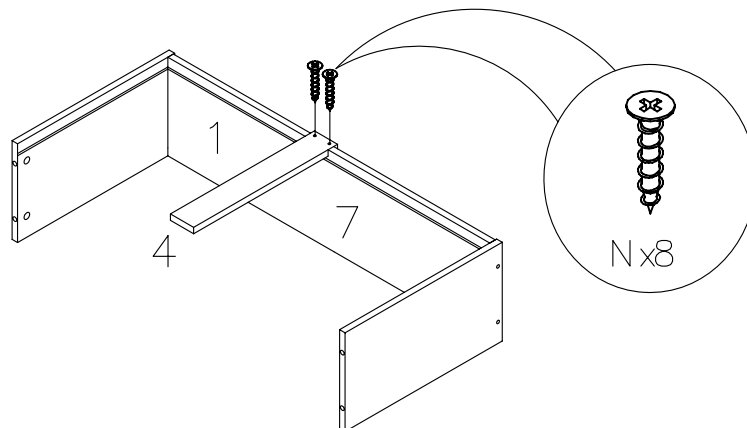
A		$\phi 4 \times 30$	20pcs
B		$\phi 12$	16pcs
C		L20	16pcs
D		$\phi 5$	8pcs
E		$\phi 4 \times 20$	8pcs
F		$\phi 15$	8pcs
G		L29	8pcs
H			30pcs
I		$\phi 12$	4pcs
J		L20	4pcs
K		$\phi 6 \times 90$	4pcs
L		M4	1pc
M		$\phi 4 \times 35$	12pcs
N		$\phi 4 \times 25$	8pcs
P		$\phi 8 \times 25$	8pcs
Q		$\phi 6 \times 30$	8pcs
R		$\phi 3 \times 12$	8pcs
S			8pcs
T		It's used for stick the stopper to the connecting hole firmly	1pc

ASSEMBLY INSTRUCTION

ITEM#: 413

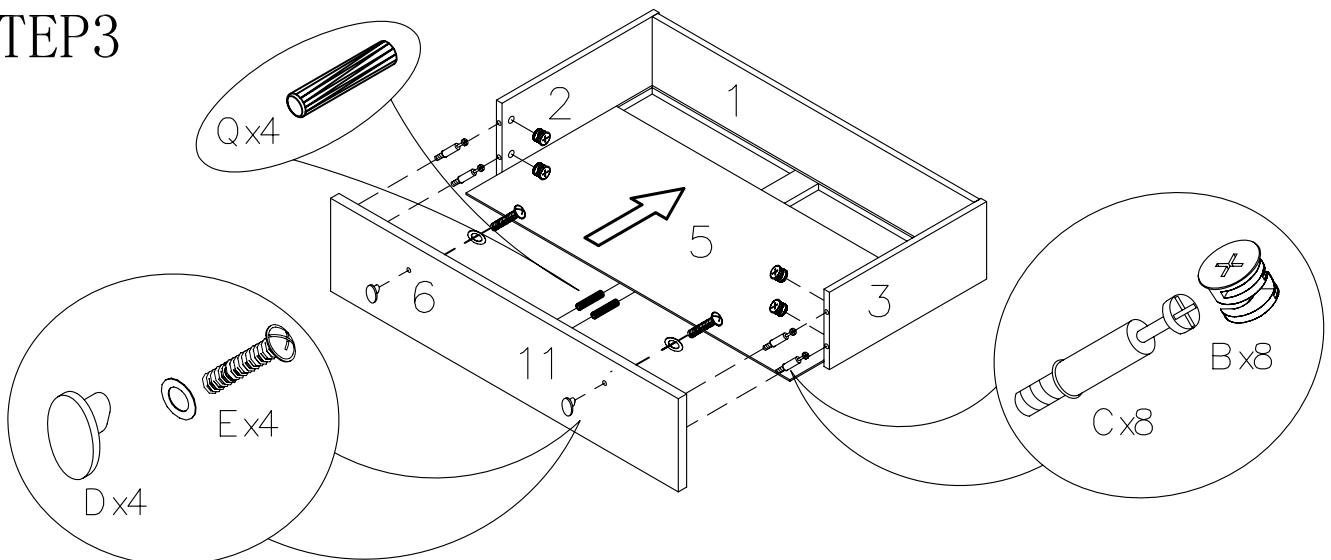


STEP 1



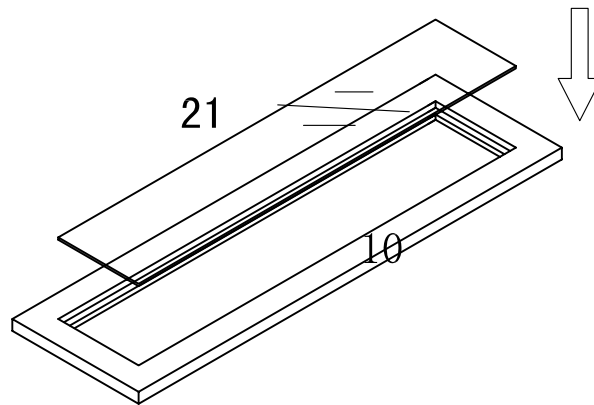
STEP 2

STEP 3

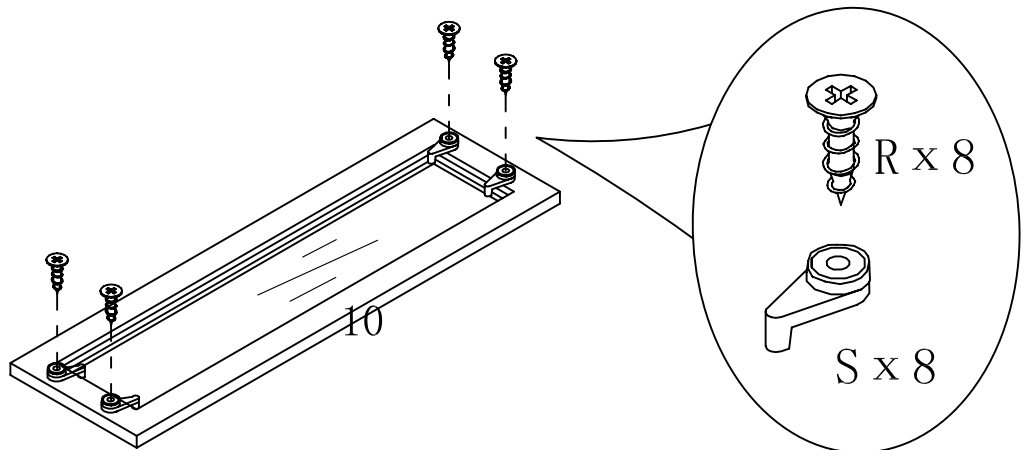


ASSEMBLY INSTRUCTION

ITEM#: 413

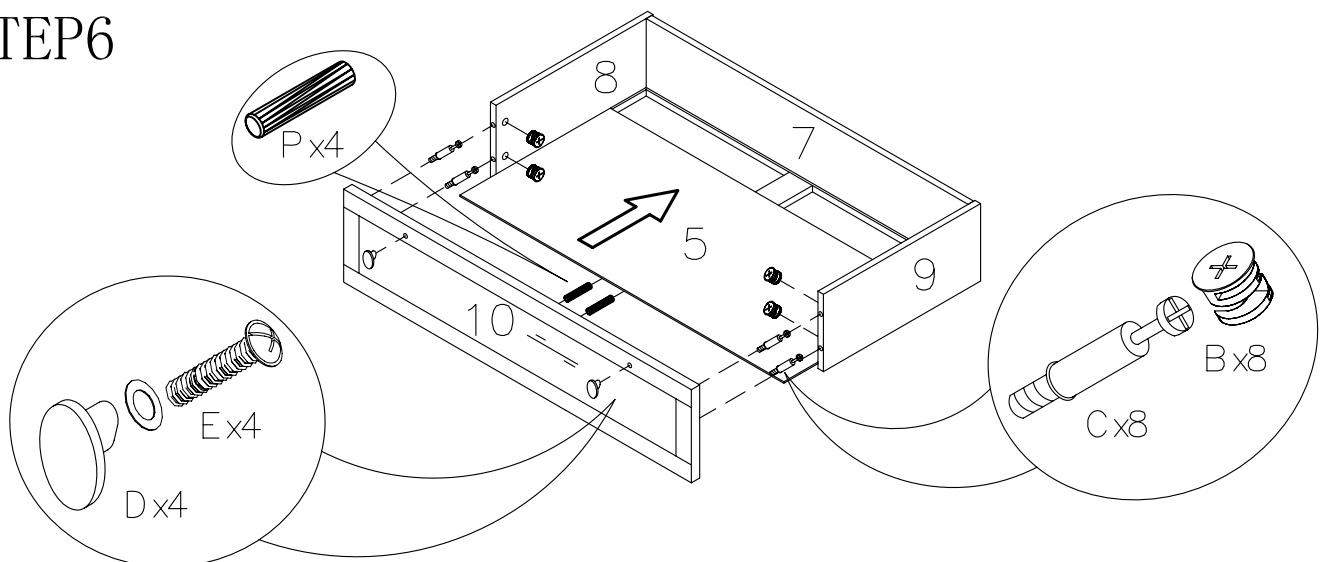


STEP4



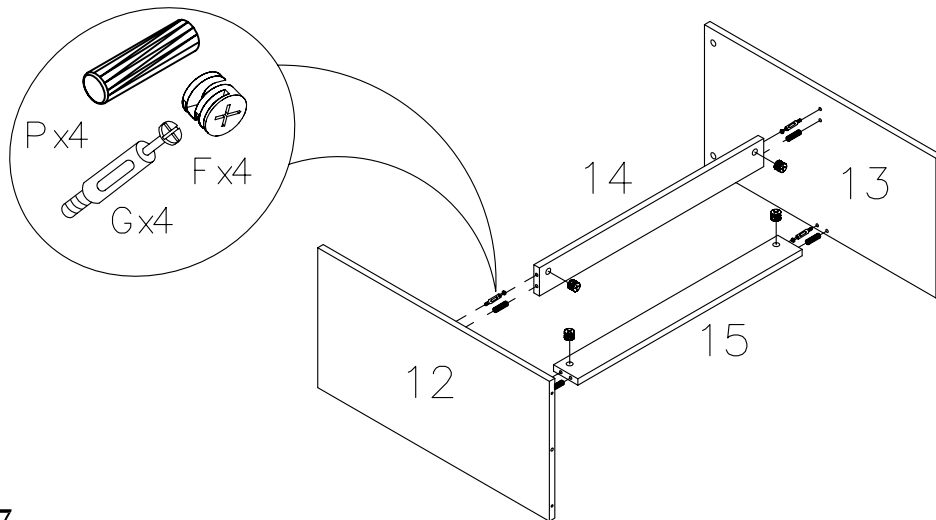
STEP5

STEP6

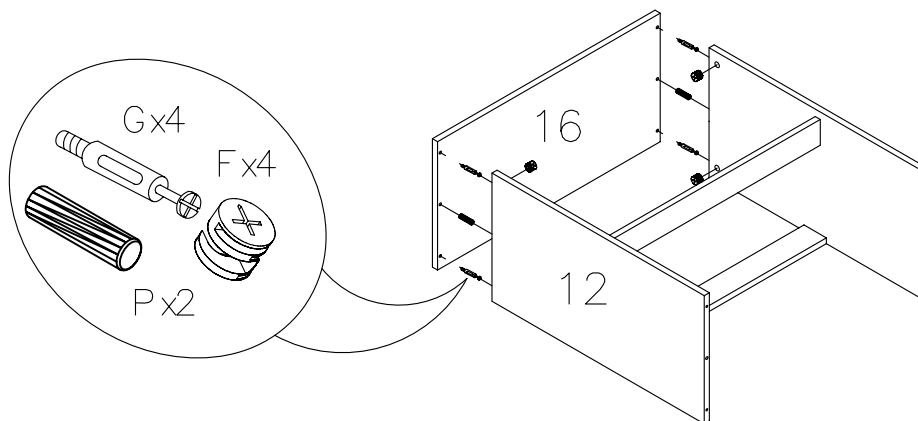


ASSEMBLY INSTRUCTION

ITEM#: 413

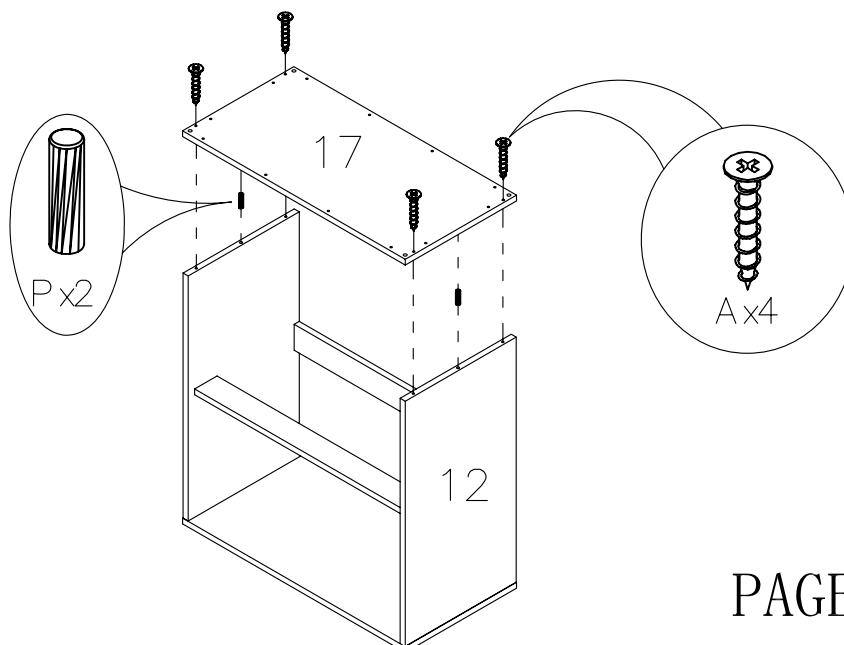


STEP 7



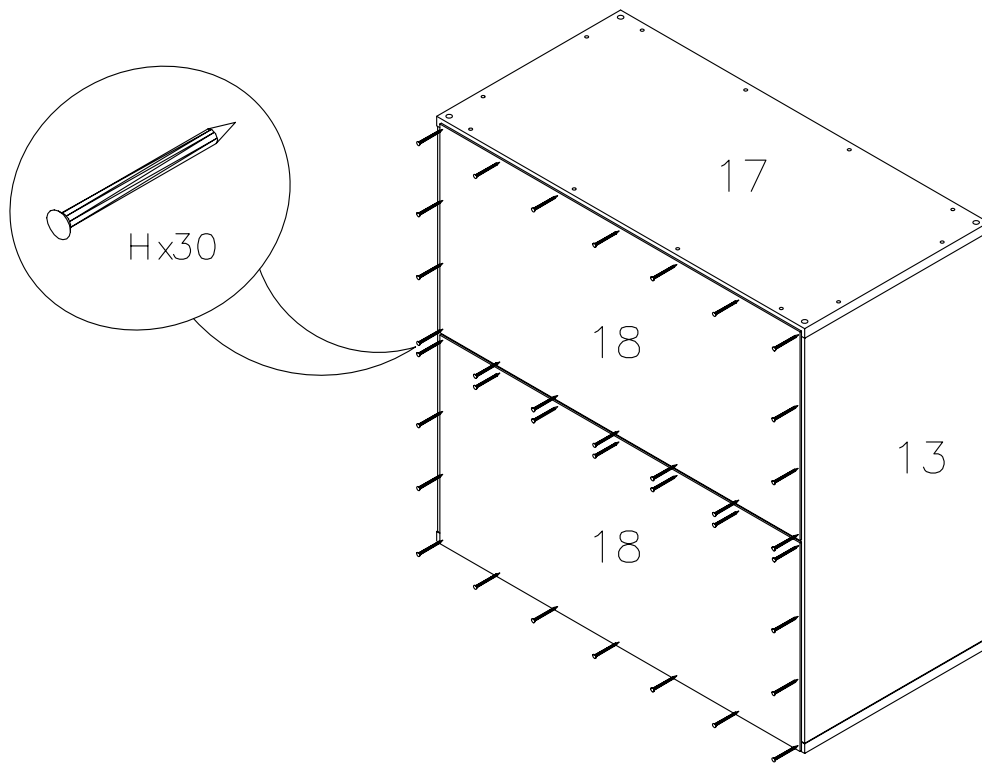
STEP 8

STEP 9



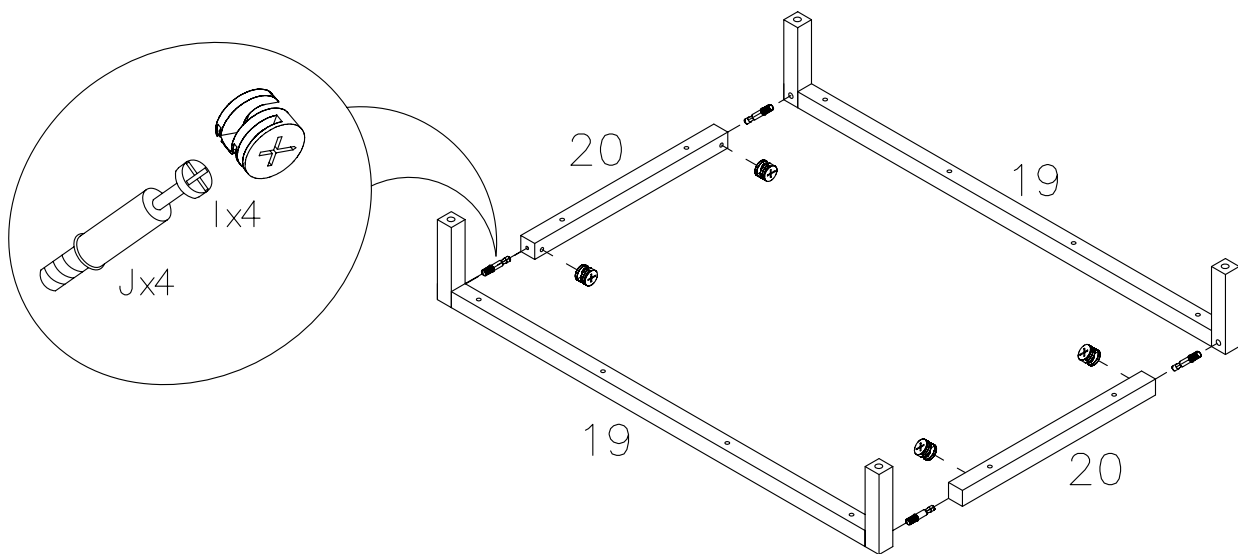
ASSEMBLY INSTRUCTION

ITEM#:413



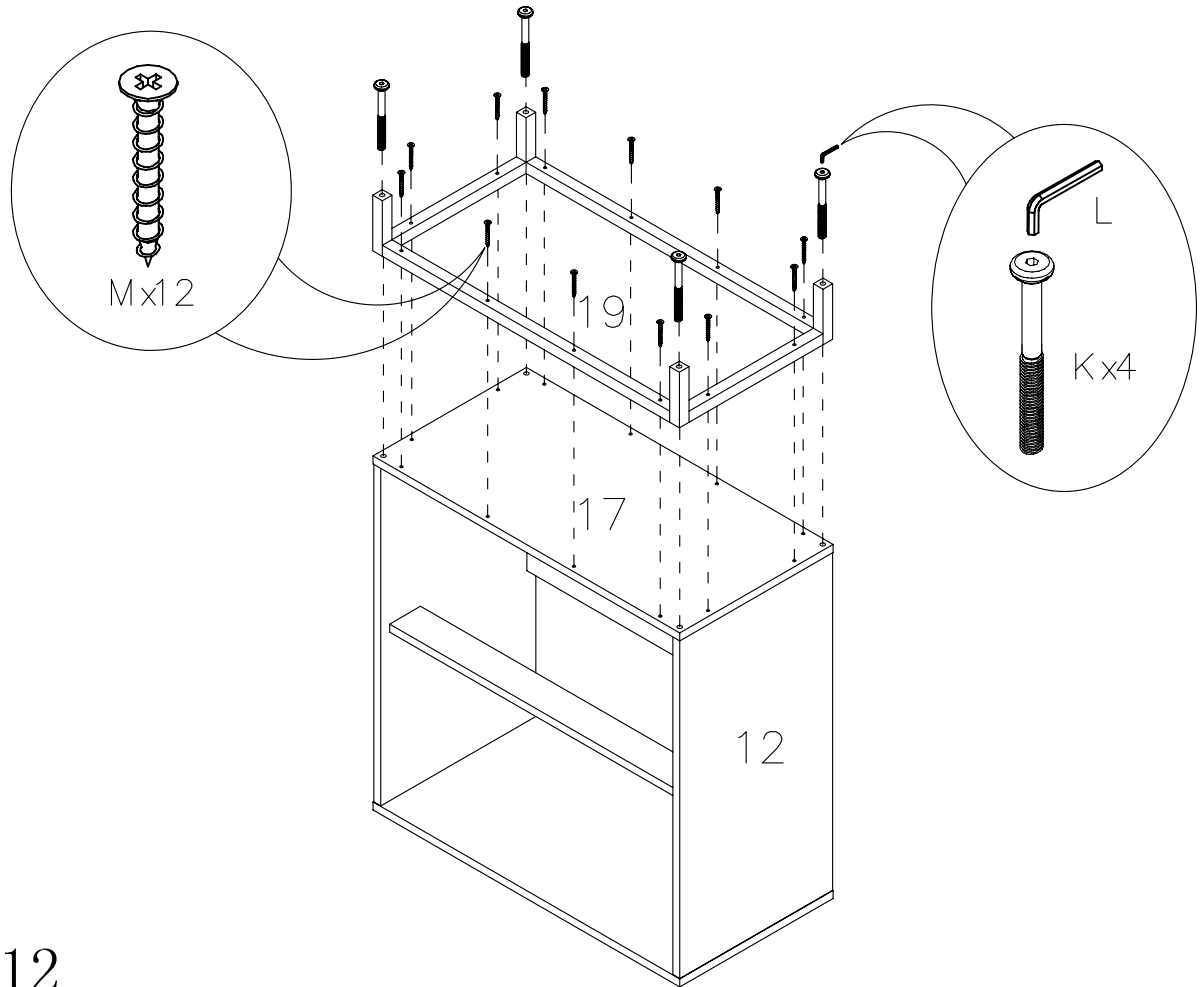
STEP10

STEP11



ASSEMBLY INSTRUCTION

ITEM#: 413



STEP 12

STEP 13

