

ASSEMBLY INSTRUCTION

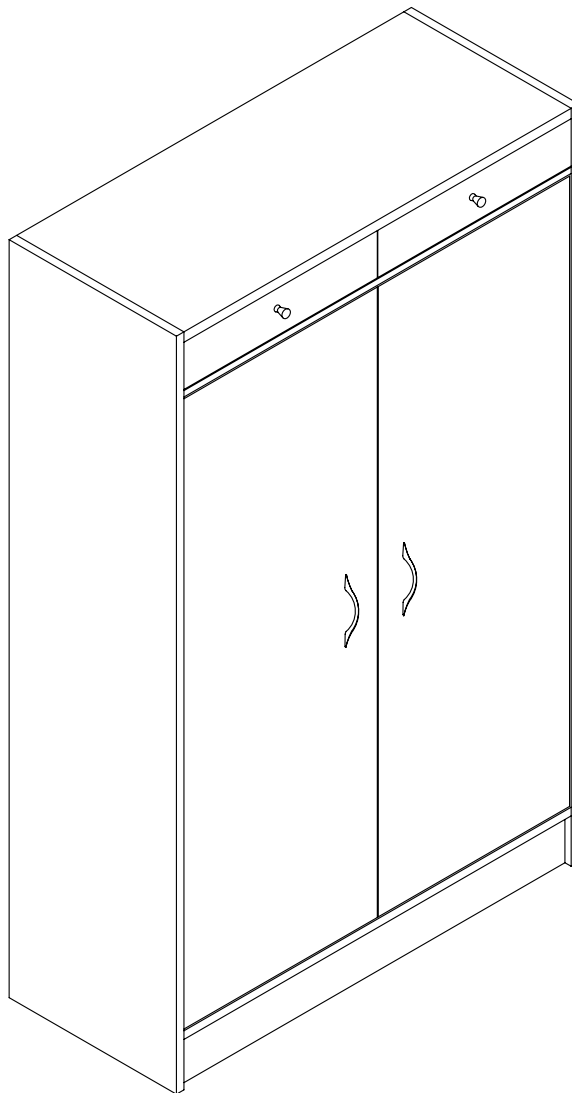
PLEASE READ BEFORE ASSEMBLING!

Tip #1: Make sure you've taken all the pieces and hardware out of its packaging before discarding the box.

Tip #2: Using page 2 and/or page 3 of instruction manual make sure all pieces and hardware are accounted for.

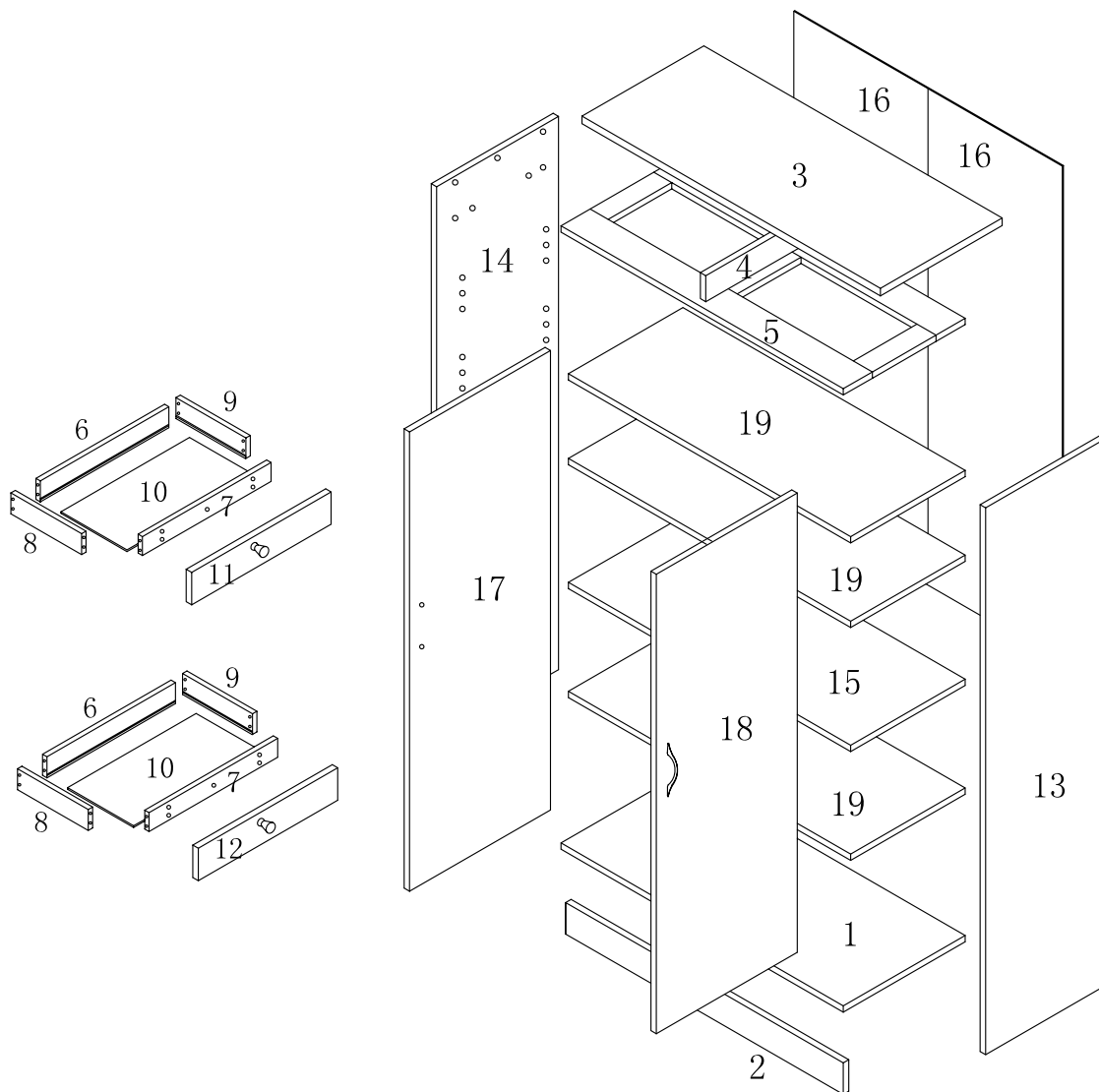
Tip #3: Read manual before assembling, it helps!

ITEM#: SC-106133、 106138



PARTS IDENTIFICATION

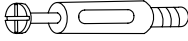
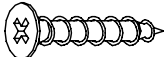



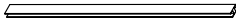




ITEM#: SC-106133、106138



(1)	1pc	(8)	2pcs	(15)	1pc
(2)	1pc	(9)	2pcs	(16)	2pcs
(3)	1pc	(10)	2pcs	(17)	1pc
(4)	1pc	(11)	1pc	(18)	1pc
(5)	1pc	(12)	1pc	(19)	3pcs
(6)	2pcs	(13)	1pc		
(7)	2pcs	(14)	1pc		

HARDWARE IDENTIFICATION

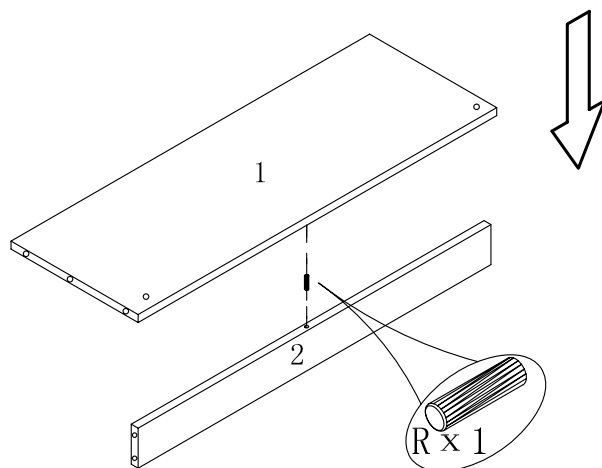
ITEM#: SC-106133、106138

A		L29	4pcs
B		ϕ 15	4pcs
C		ϕ 4 x 40	20pcs
D		ϕ 4 x 30	16pcs
E		ϕ 4 x 25	10pcs
F		ϕ 4 x 35	2pcs
G		ϕ 5	2pcs
H			2sets
I		ϕ 3 x 16	4pcs
J			30pcs
K		L958	1pc
L			2sets
M		ϕ 3 x 12	4pcs
N		96MM	2pcs
O		ϕ 4 x 20	4pcs
P		ϕ 5	12pcs
Q		ϕ 8 x 40	2pcs
R		ϕ 8x25	13pcs
S		It's used for stick the stopper to the connecting hole firmly	1pc

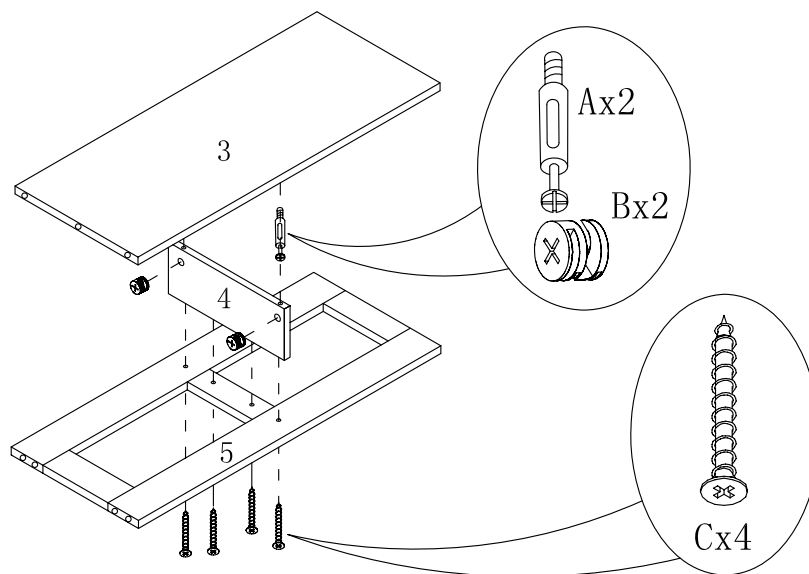
ASSEMBLY INSTRUCTION

ITEM#: SC-106133、106138

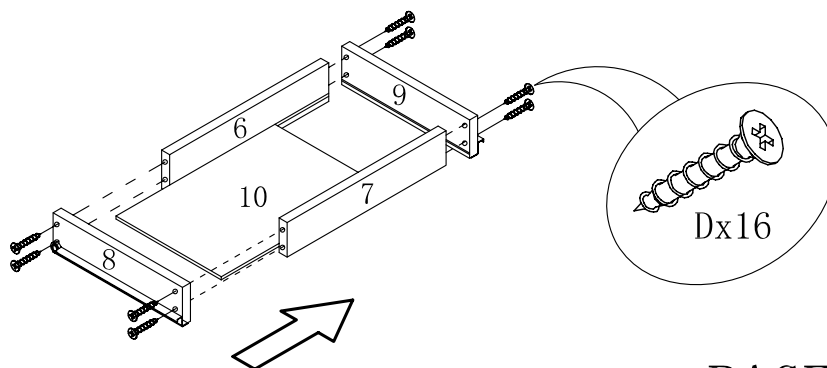
STEP1



STEP2

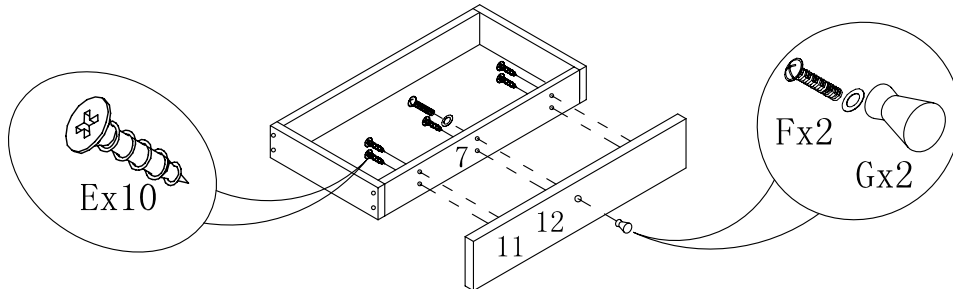


STEP3

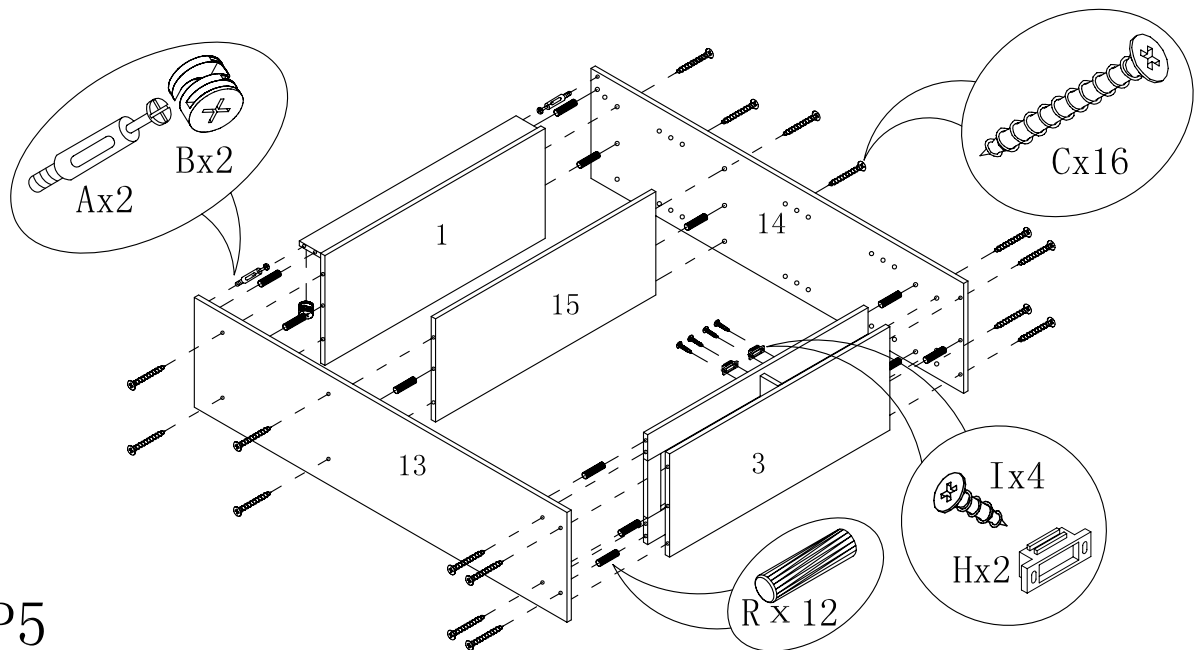


ASSEMBLY INSTRUCTION

ITEM#: SC-106133、106138

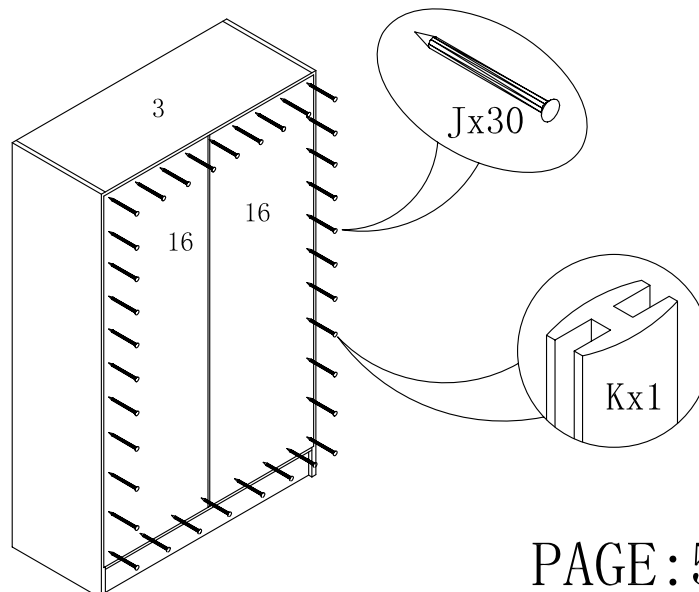


STEP4



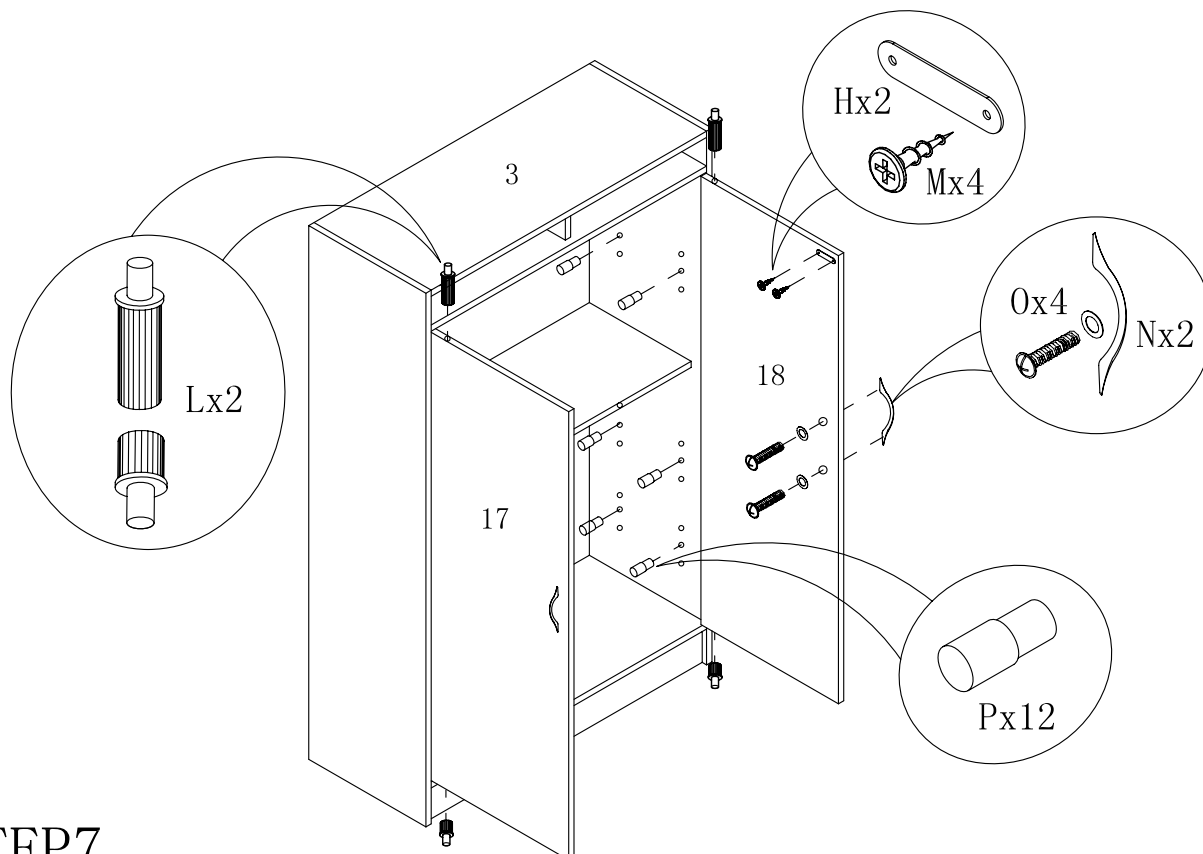
STEP5

STEP6



ASSEMBLY INSTRUCTION

ITEM#: SC-106133、106138



STEP7

STEP8

