

ASSEMBLY INSTRUCTION

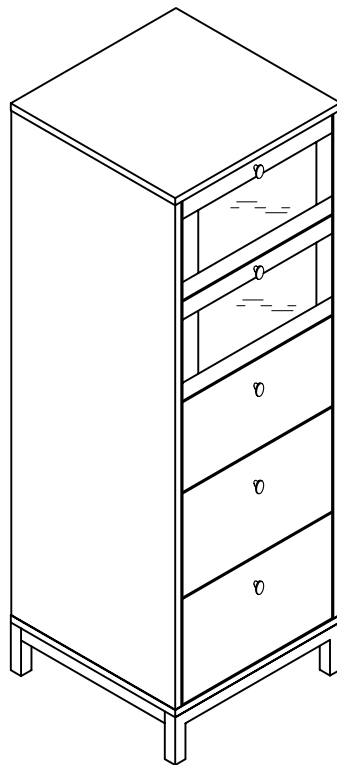
PLEASE READ BEFORE ASSEMBLING!

Tip #1: Make sure you've taken all the pieces and hardware out of its packaging before discarding the box.

Tip #2: Using page 2 and/or page 3 of instruction manual make sure all pieces and hardware are accounted for.

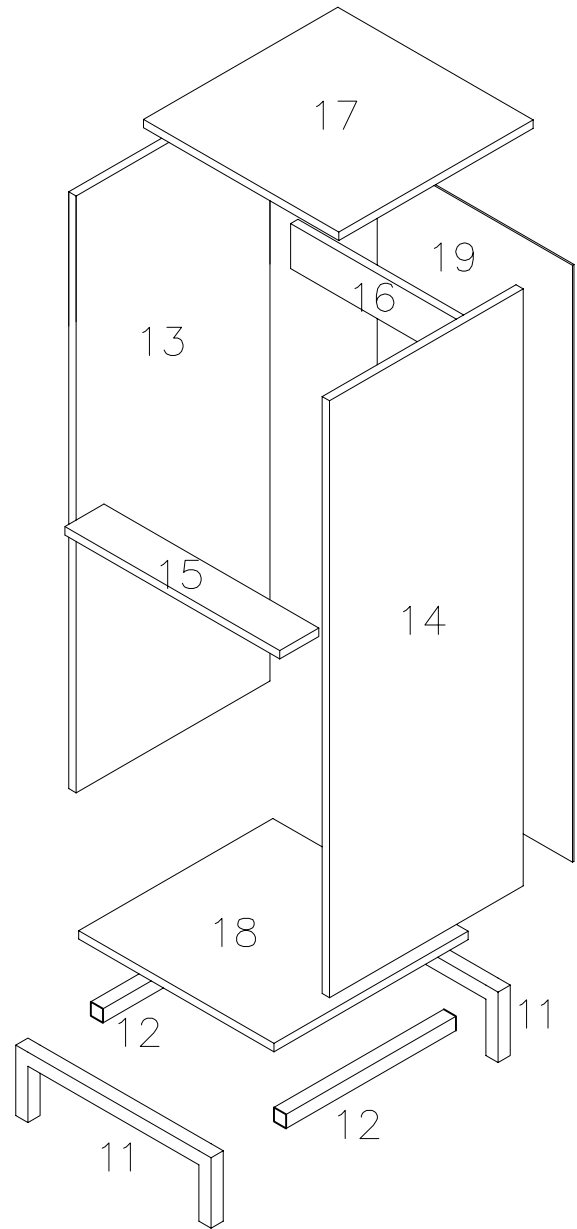
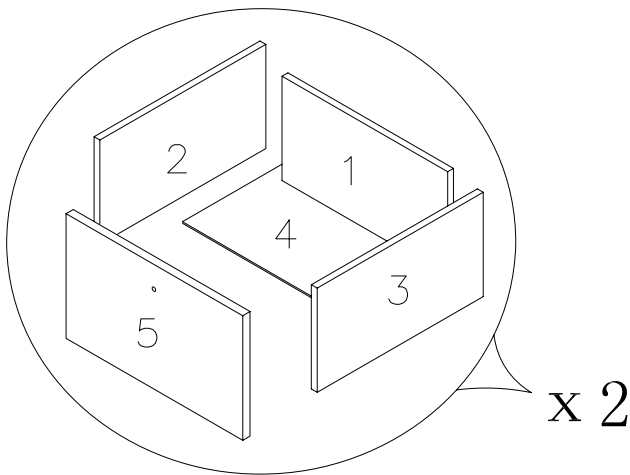
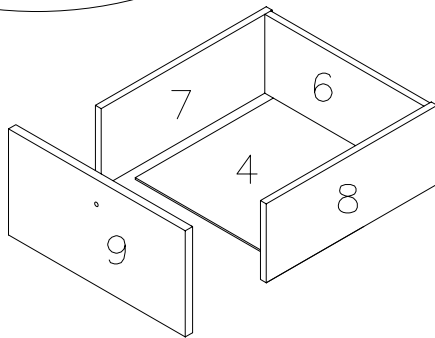
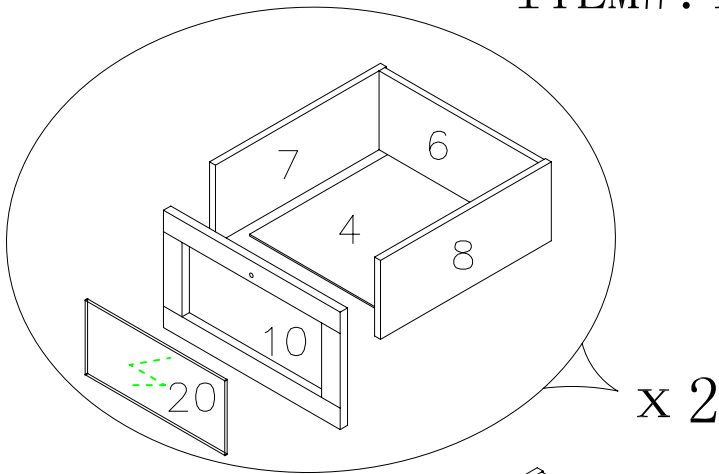
Tip #3: Read manual before assembling, it helps!

ITEM#: 412



PARTS IDENTIFICATION

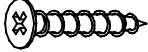





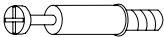

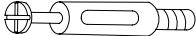

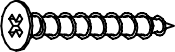
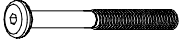

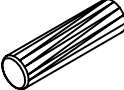



ITEM#:412



(1)	2pcs	(8)	3pcs	(15)	1pc
(2)	2pcs	(9)	1pc	(16)	1pc
(3)	2pcs	(10)	2pcs	(17)	1pc
(4)	5pcs	(11)	2pcs	(18)	1pc
(5)	2pcs	(12)	2pcs	(19)	1pc
(6)	3pcs	(13)	1pc	(20)	2pcs
(7)	3pcs	(14)	1pc		

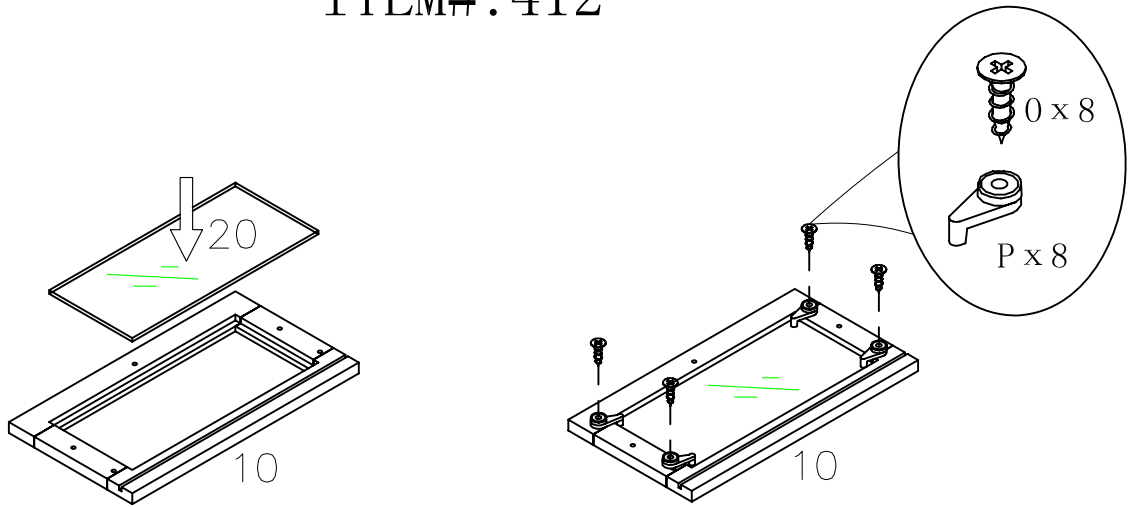
HARDWARE IDENTIFICATION

ITEM#: 412

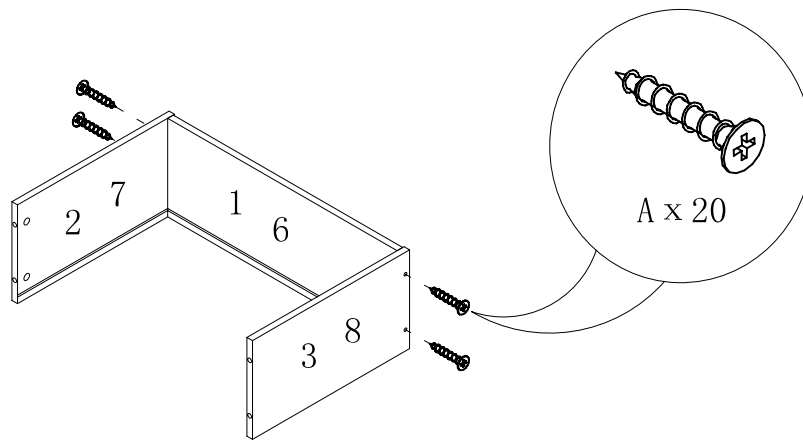
A		$\phi 4 \times 30$	24pcs
B		$\phi 12$	20pcs
C		L20	20pcs
D		$\phi 5$	5pcs
E		$\phi 4 \times 20$	5pcs
F		$\phi 12$	4pcs
G		L20	4pcs
H		$\phi 15$	8pcs
I		L29	8pcs
J			30pcs
K		$\phi 4 \times 35$	8pcs
L		$\phi 6 \times 90$	4pcs
M		M4	1pc
N		$\phi 8 \times 25$	8pcs
O		$\phi 3 \times 12$	8pcs
P			8pcs
Q		It's used for stick the stopper to the connecting hole firmly	1pc

ASSEMBLY INSTRUCTION

ITEM#: 412

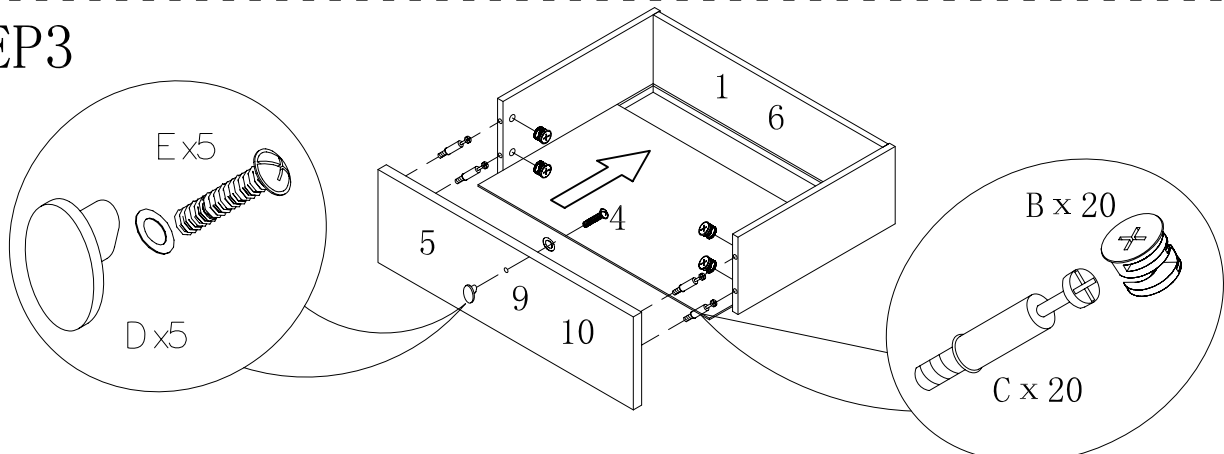


STEP 1



STEP 2

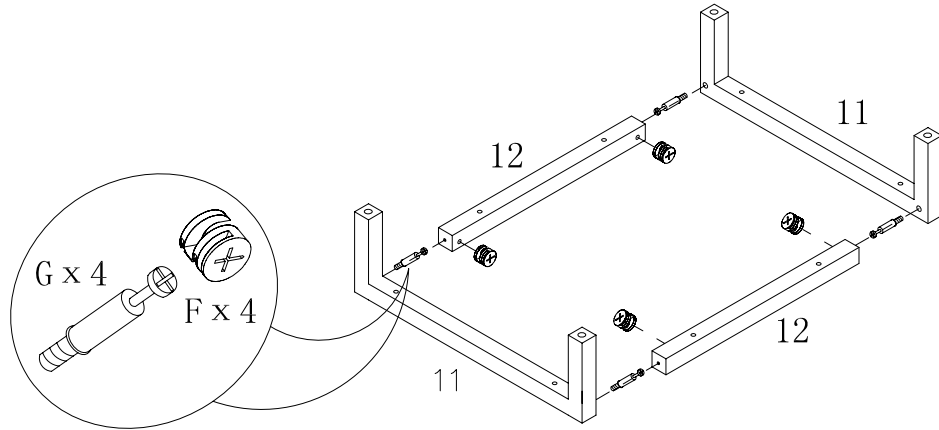
STEP 3



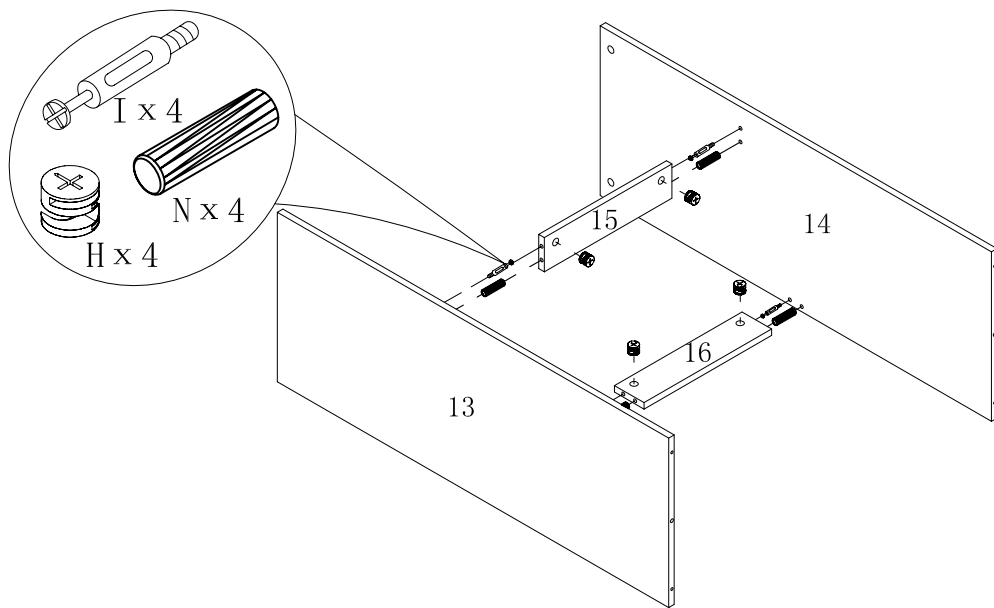
PAGE: 4 OF 7

ASSEMBLY INSTRUCTION

ITEM#: 412

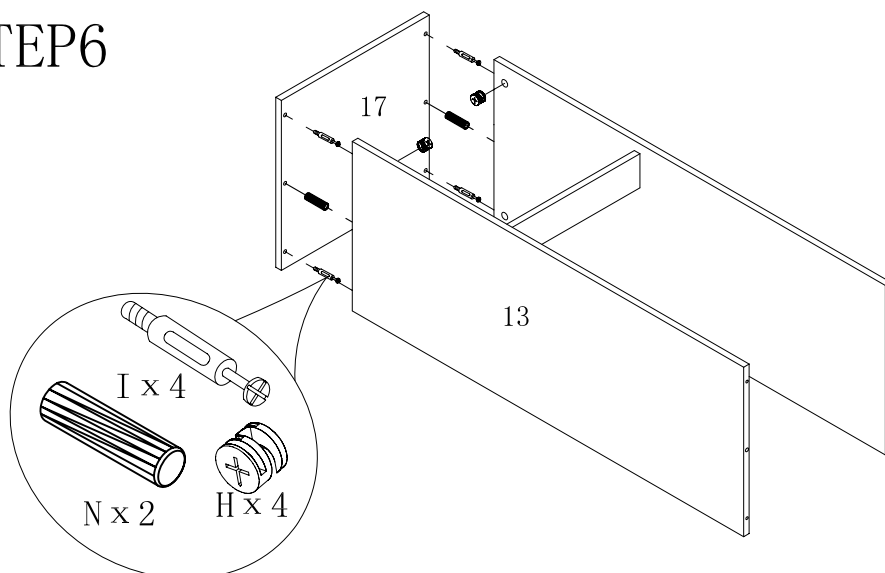


STEP 4



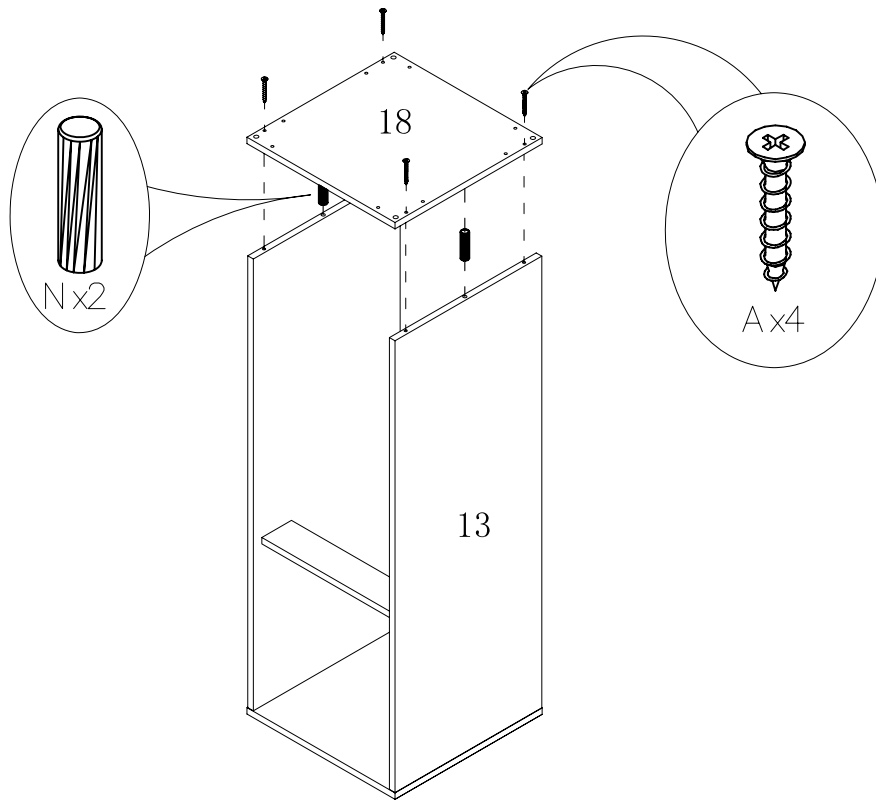
STEP 5

STEP 6



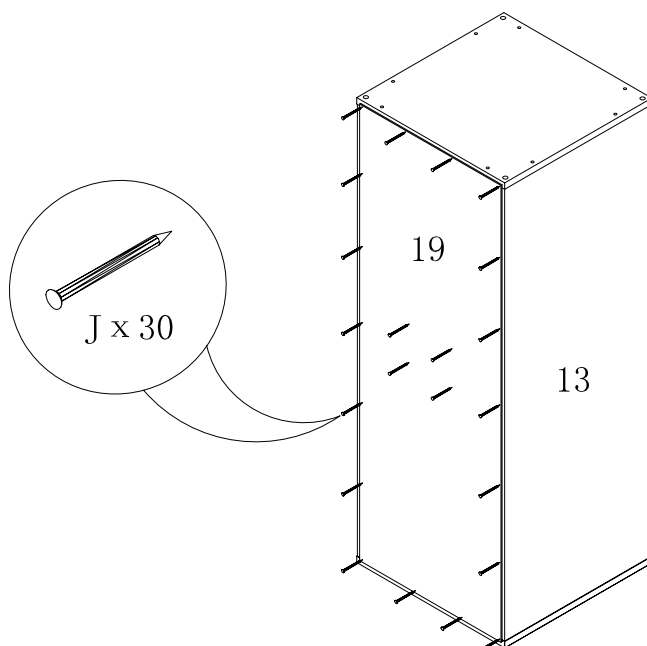
ASSEMBLY INSTRUCTION

ITEM#: 412



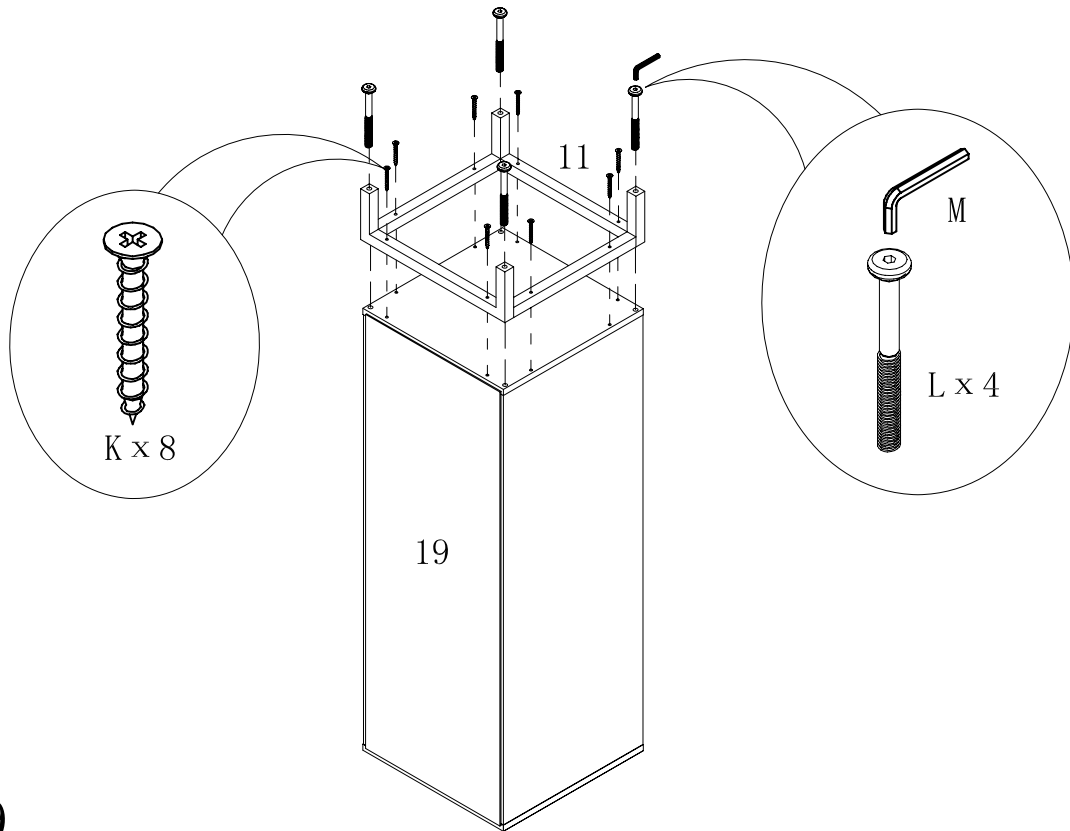
STEP 7

STEP 8



ASSEMBLY INSTRUCTION

ITEM#: 412



STEP 9

STEP 10

