

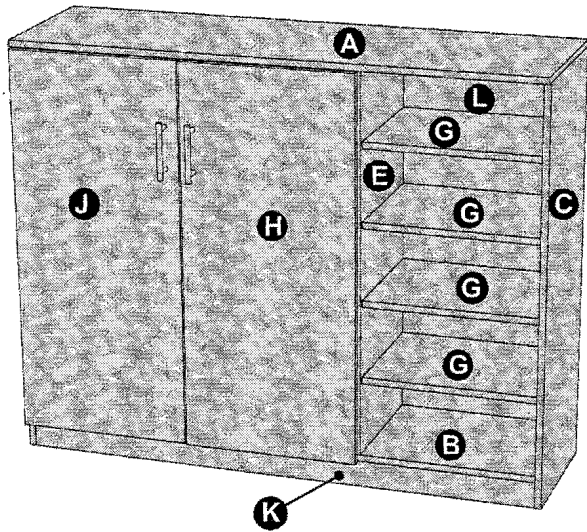
Shoes Cabinet

ASSEMBLY INSTRUCTIONS

MODEL # YNJ-224 BEH & YNJ-224 WNT

Please keep for future reference

PARTS LIST



- A** 1PC TOP PANEL
- B** 1PC BOTTOM PANEL
- C** 1PC RIGHT SIDE PANEL
- D** 1PC LEFT SIDE PANEL
- E** 1PC CENTER PANEL
- F** 4PCS LARGE SHELF PANEL
- G** 4PCS SMALL SHELF PANEL
- H** 1PC RIGHT SIDE DOOR
- J** 1PC LEFT SIDE DOOR
- L** 1PC SMALL BACK PANEL
- M** 1PC LARGE BACK PANEL
- K** 2PCS APRON

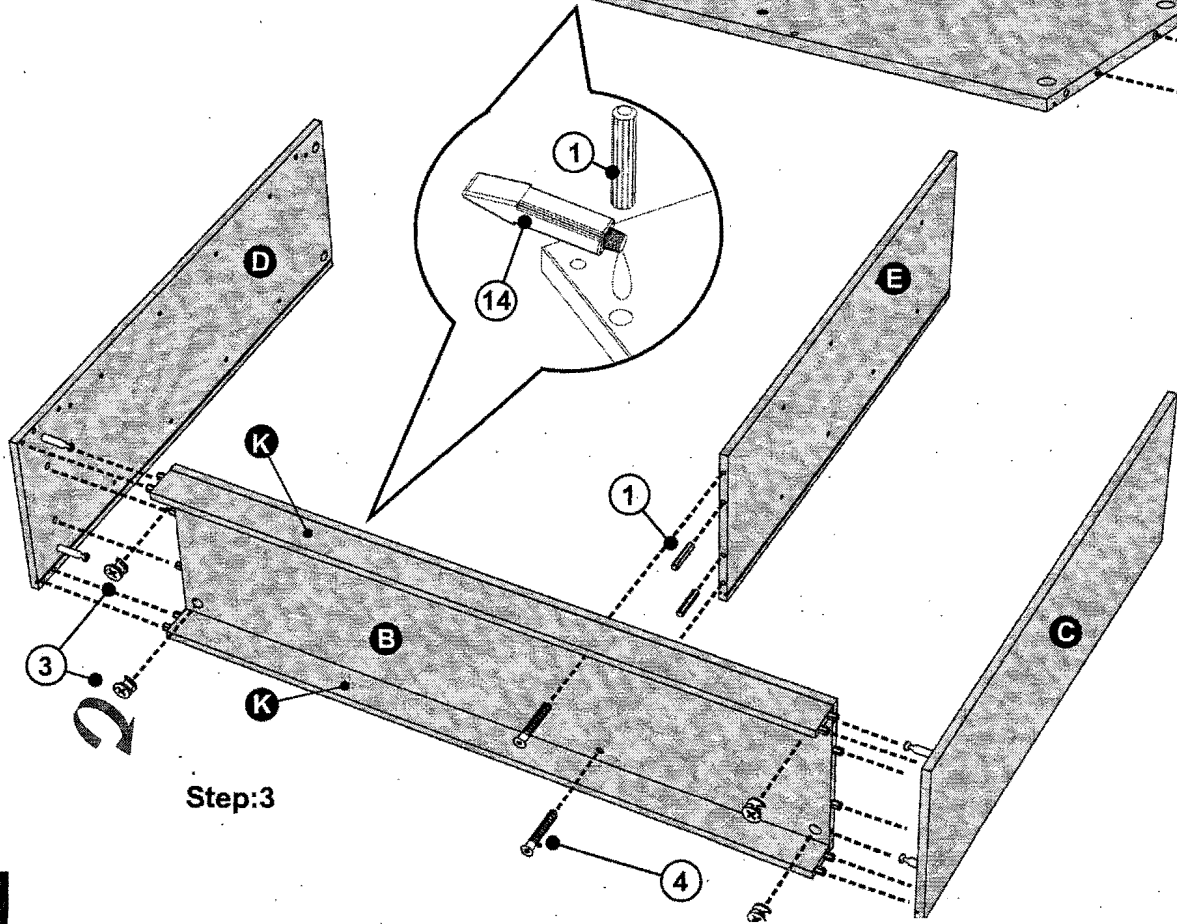
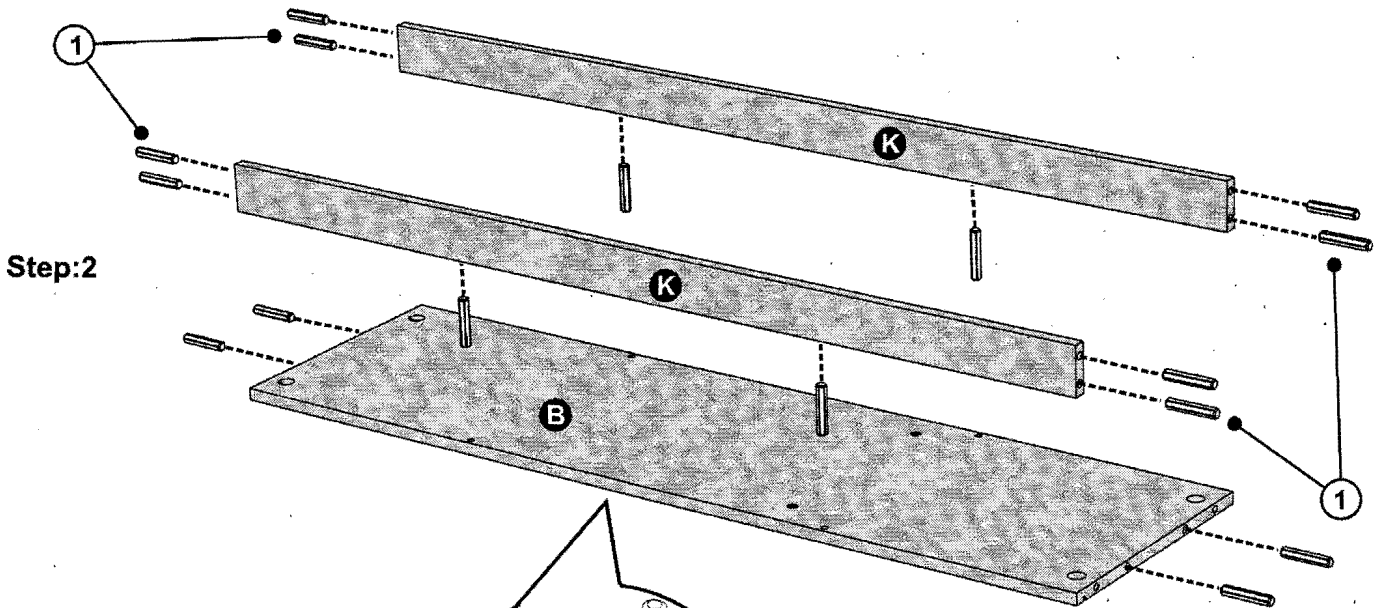
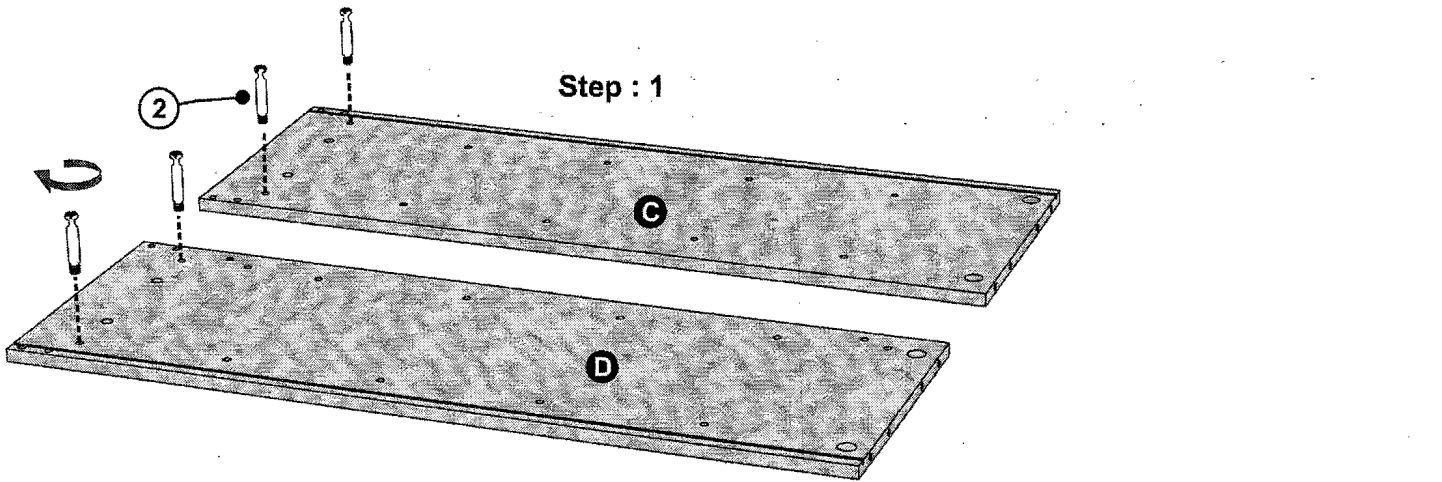
Overall size :
47.25" W x 13.7" D x 38.23" H

HARDWARE LIST

- | | | | |
|-------------------------------|---------------------------------|-------------------------------|------------------------------|
| 1 24PCS WOOD DOWEL | 5 8PCS BACK BRACE | 9 4PCS LONG WOOD SCREW | 12 32PCS SHELF SUPPER |
| 2 10PCS CAM LOCK PIN | 6 8PCS MIDDLE WOOD SCREW | 10 2PCS DOOR HANDLE | 13 1PC ALLEN KEY |
| 3 10PCS CAM LOCK NUT | 7 4PCS HINGE | 11 6PCS FEET PIN | 14 1PC GLUE |
| 4 2PCS ALLEN WOOD BOLT | 8 16PCS SHORT WOOD SCREW | | |

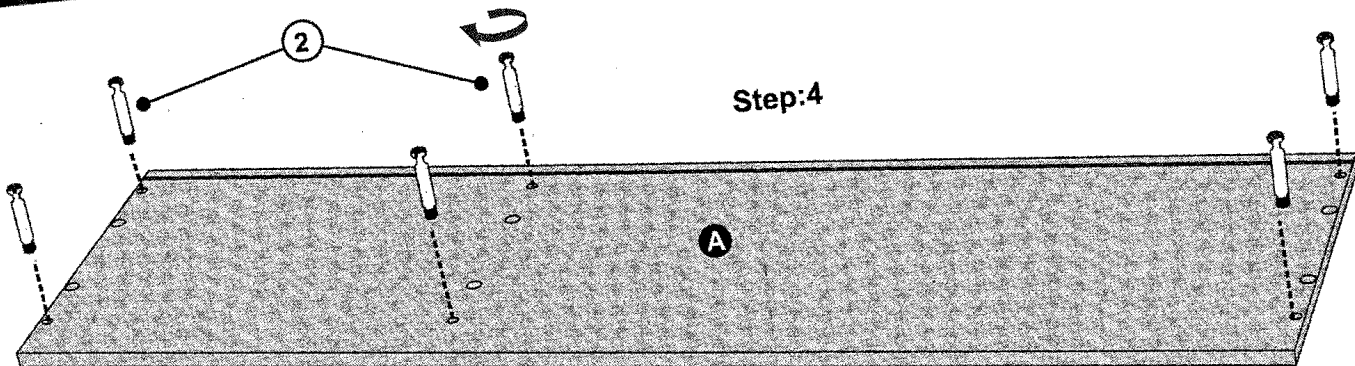
2010 06 03 - 2010 06 08

STEP : 1 ~ 3

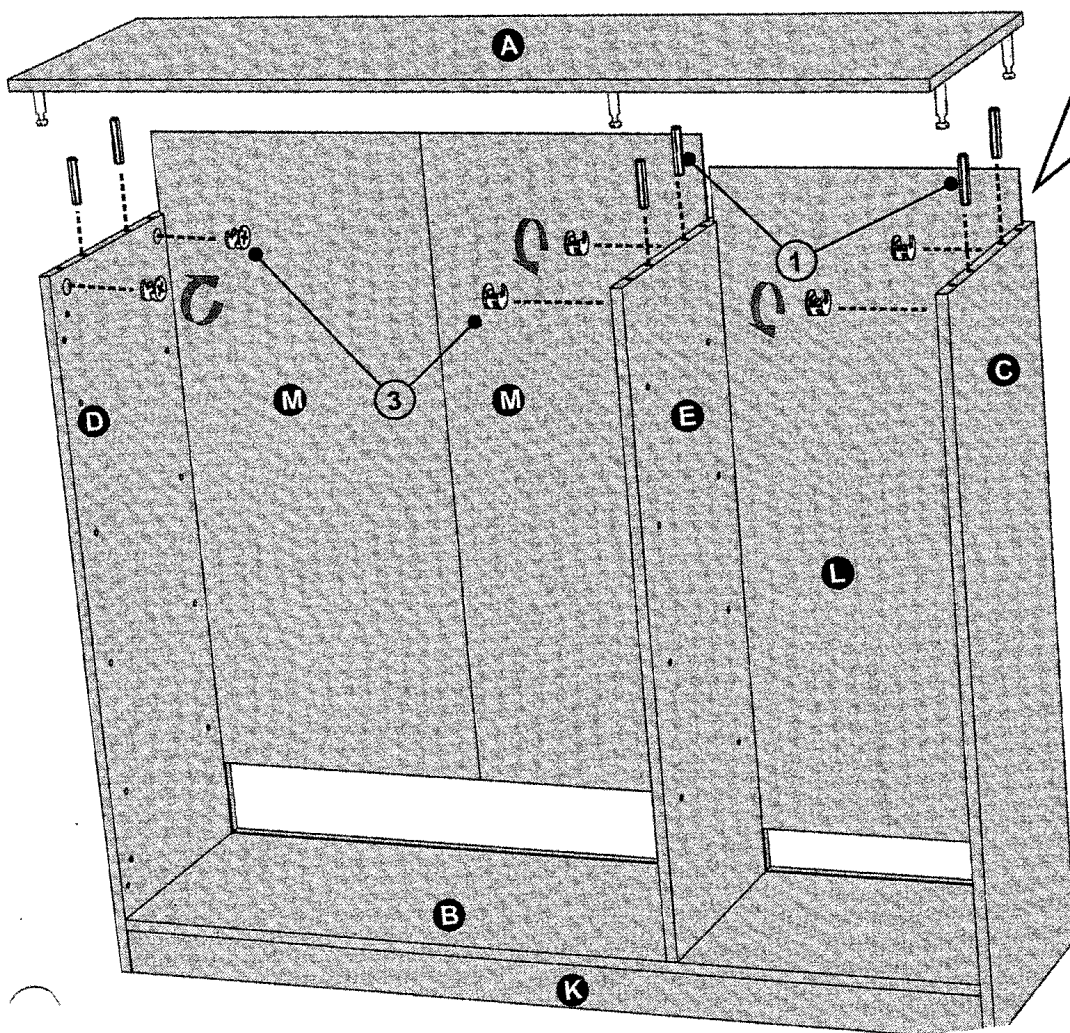


STEP : 4 and 5

Step:4

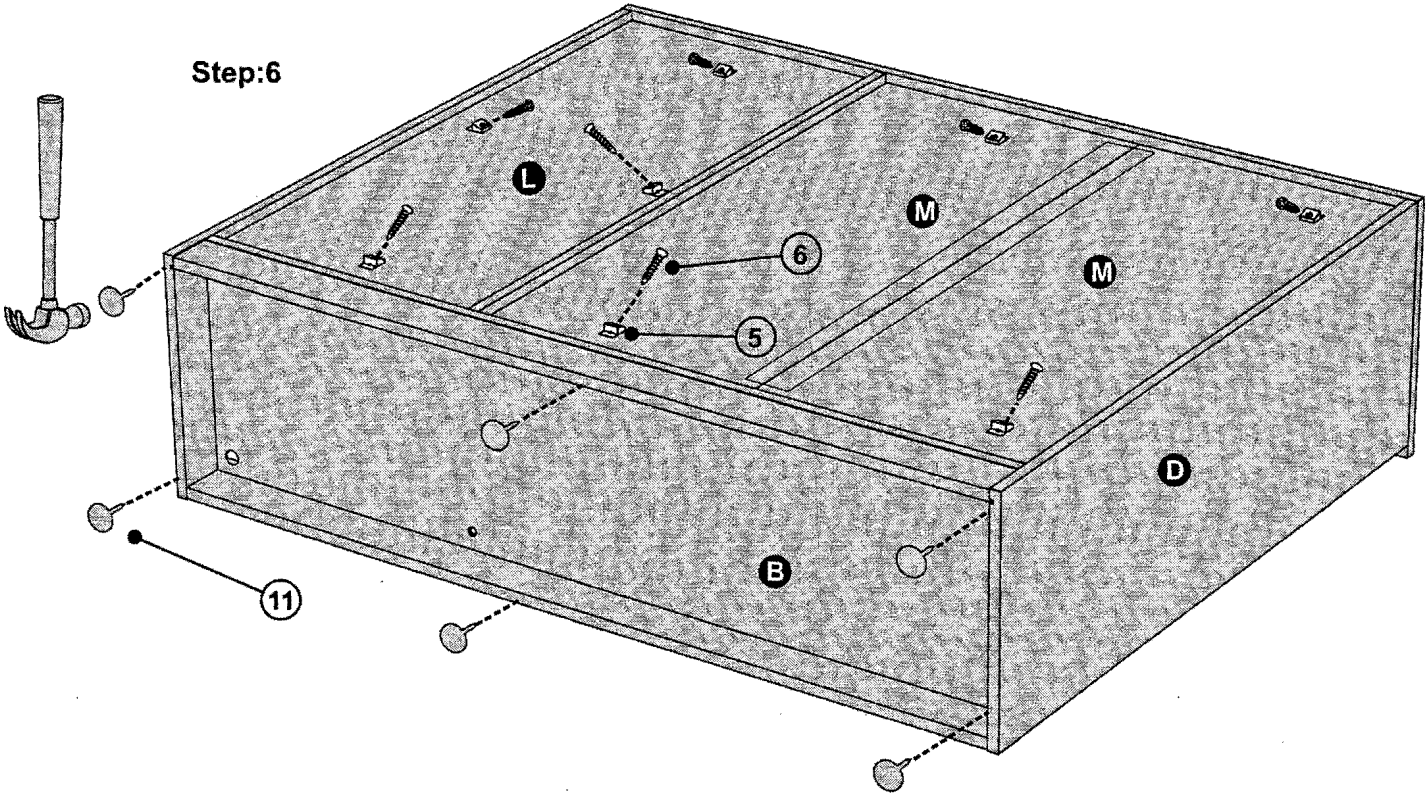


Step:5

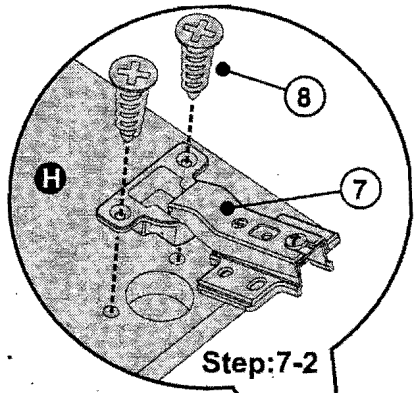
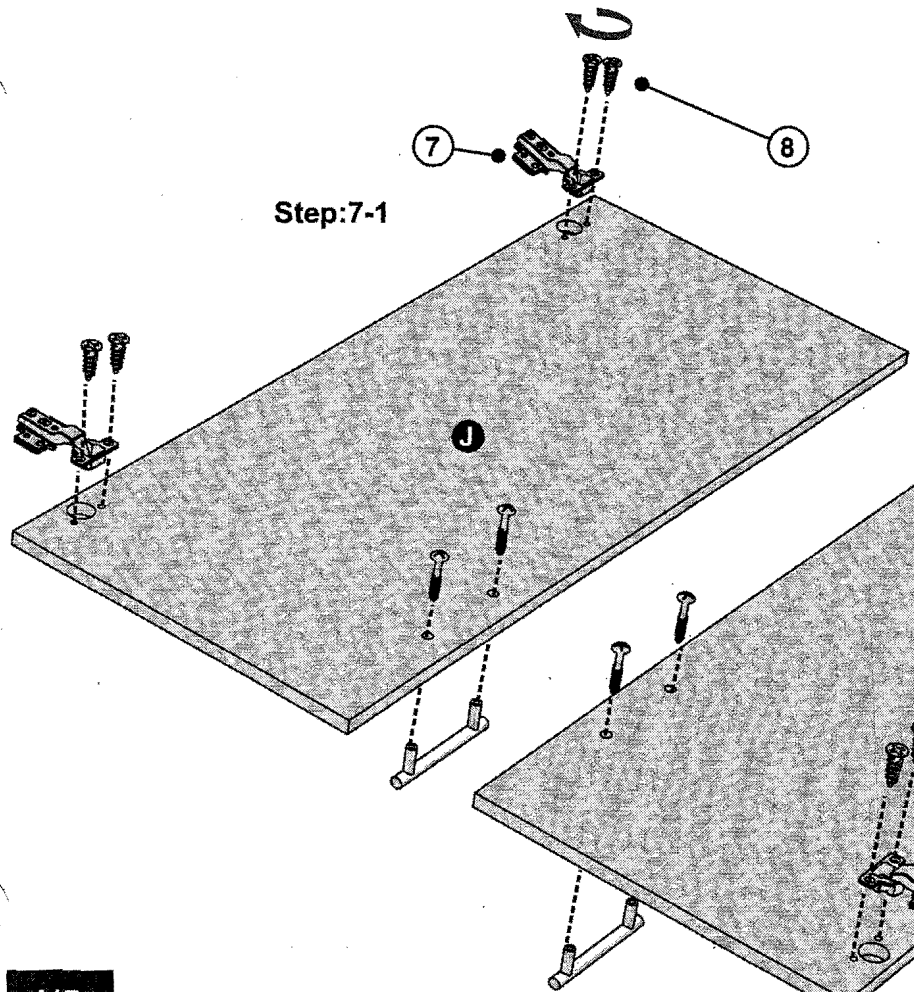


STEP : 6 and 7

Step:6

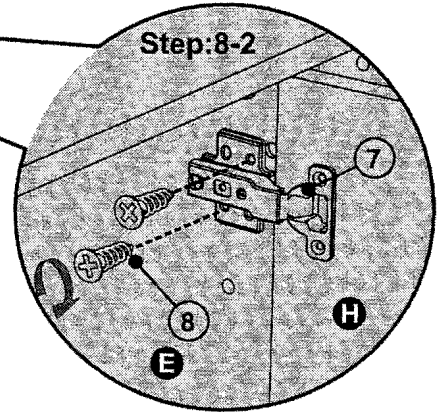
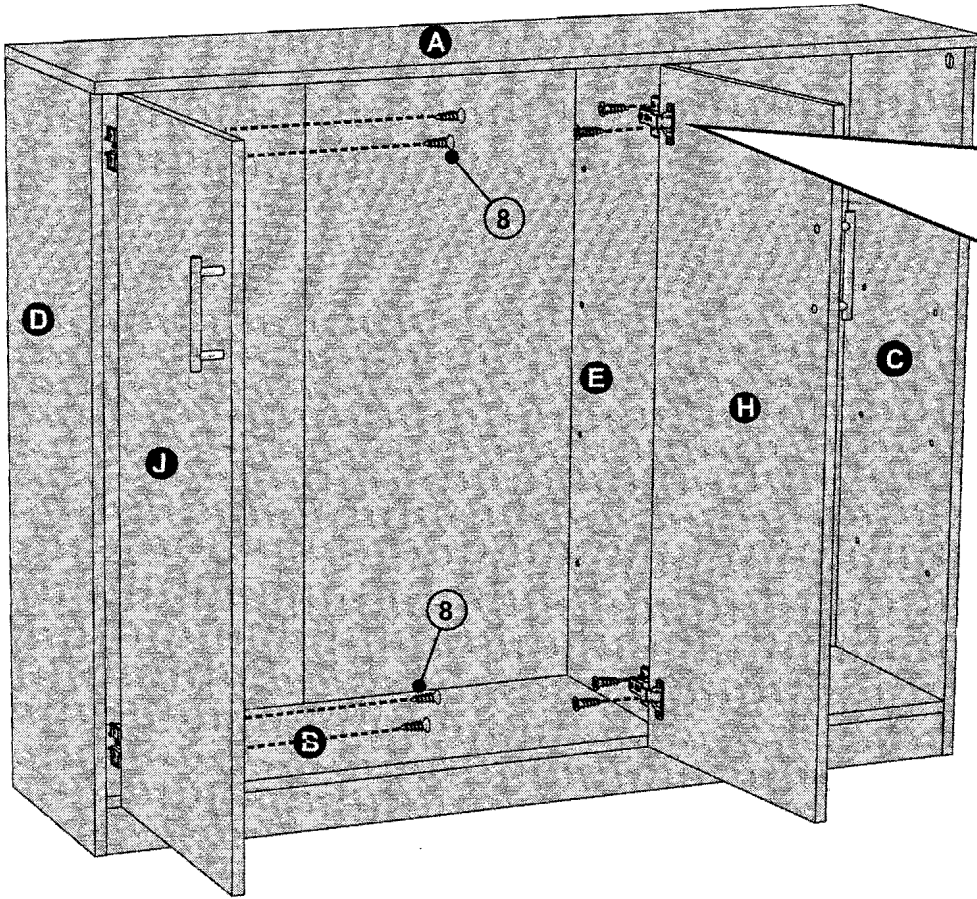


Step:7-1



Step:7-2

STEP : 8 and Finish



Step:8-1

Step:9

