



## **PLEASE READ BELOW BEFORE PROCEEDING WITH YOUR ASSEMBLY**

Unless you're particularly adept at assembling Flatpack/Knockdown Furniture, we understand building ready to assemble furniture can be a frustrating experience for some and you'll probably spend at least half a day per item. No need to panic, though! Here are some tips on assembling flat-pack furniture so you're not left with an impossible Lego project and give up in frustration. Follow these tips for your item and you'll end up with beautiful, fully-assembled furniture!

- Do Not throw away packaging material until assembly is complete.
- Assemble item on a soft surface, such as cardboard or carpet, to protect finish.

- Choose a spacious, open area near where the piece will be located. It is easier to move parts than to relocate the furniture after it is fully assembled, depending on its size and weight.
- Organize everything and count it twice. If you organize the items by parts, you'll find it much easier to grab each piece as you build.
- Check each one for cracks or flaws, such as improperly drilled holes, and count multiple parts. If there are any problems or missing pieces, contact the manufacturer with the part number, model number of the finished piece, and a description of the problem to arrange a replacement.
- It is best to use any tools the kit provides, such as a hex key, because they may be specially sized for that piece of furniture. But when in need, a Phillips-head screwdriver & Power Drill are highly suggested for large projects.
- Read the entire list of instructions, arranging your parts in order of use as you go.
- Finally, Enlist a help from friends and family since proper assembly of most items require 2 people.

# ASSEMBLY INSTRUCTION

---

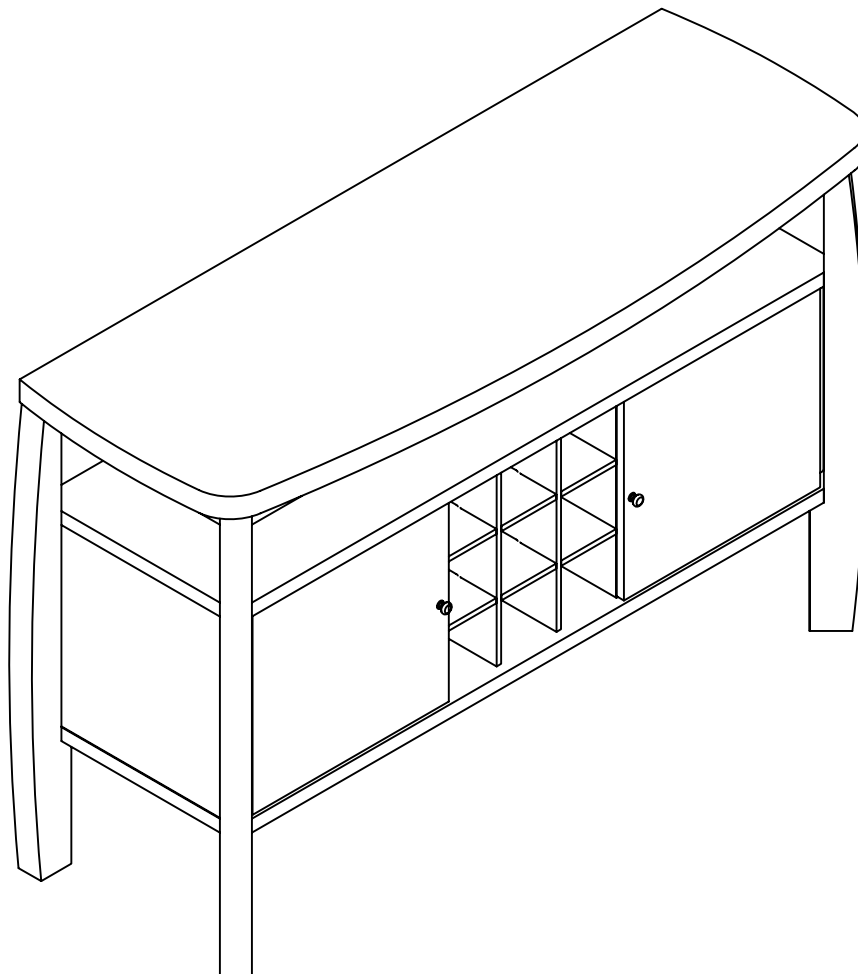
## PLEASE READ BEFORE ASSEMBLING!

Tip #1: Make sure you've taken all the pieces and hardware out of its packaging before discarding the box.

Tip #2: Using page 2 and/or page 3 of instruction manual make sure all pieces and hardware are accounted for.

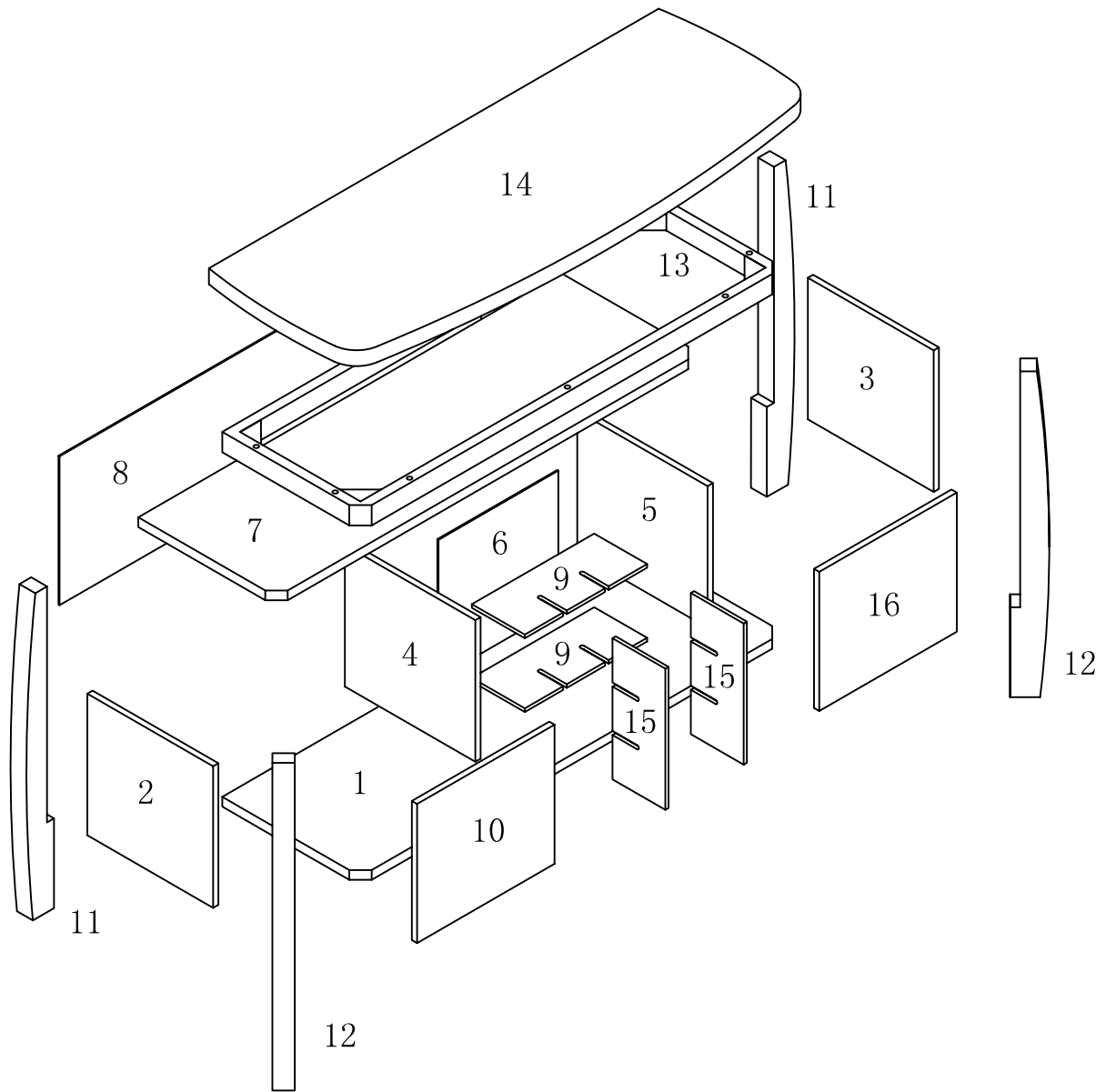
Tip #3: Read manual before assembling, it helps!

ITEM#: 11462



# PARTS IDENTIFICATION

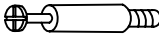


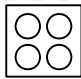
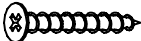

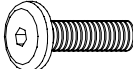





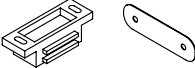



ITEM#: 11462



(1)	1pc	(6)	1pc	(11)	2pcs	(16)	1pc
(2)	1pc	(7)	1pc	(12)	2pcs		
(3)	1pc	(8)	1pc	(13)	1pc		
(4)	1pc	(9)	2pcs	(14)	1pc		
(5)	1pc	(10)	1pc	(15)	2pcs		

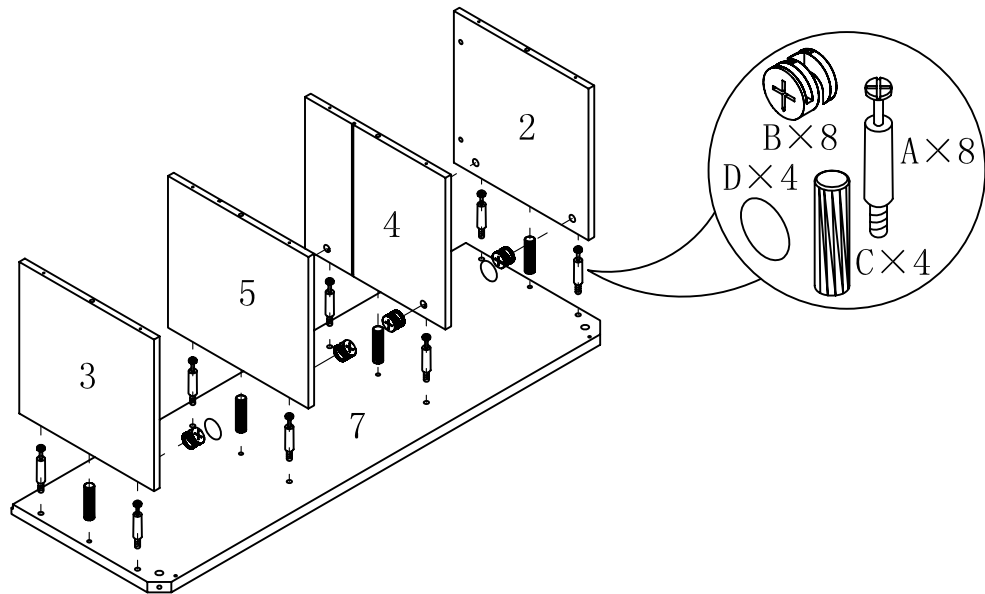
# HARDWARE IDENTIFICATION

ITEM#: 11462

A		L29	16pcs
B		$\phi 15$	16pcs
C		$\phi 8 \times 25$	14pcs
D		$\phi 18$	4pcs
E		$\phi 4 \times 40$	18pcs
F		Z1016	32pcs
G		M8 $\times$ 70	2pcs
H		$\phi 8$	2pcs
I		M5	1pc
J			2sets
K		$\phi 30$	2pcs
L		M4 $\times$ 22	2sets
M			2sets
N		$\phi 3 \times 14$	4pcs
O		$\phi 3 \times 16$	4pcs
P		Glue: For securing please apply to wood dowel first before inserting into panel	1pc

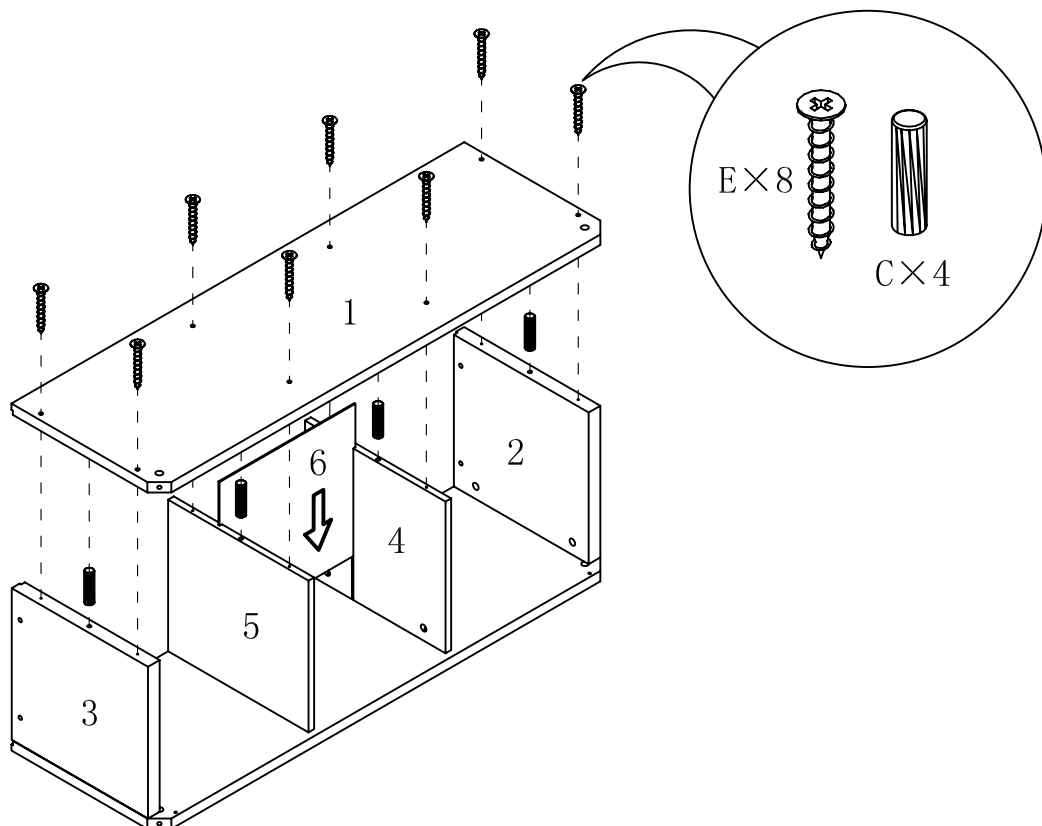
# ASSEMBLY INSTRUCTION

ITEM#: 11462



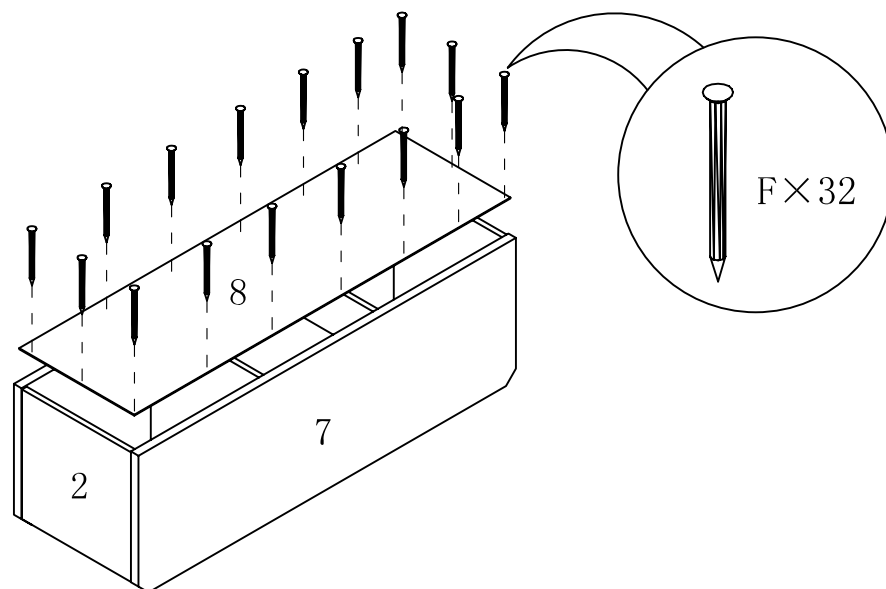
STEP 1

STEP 2



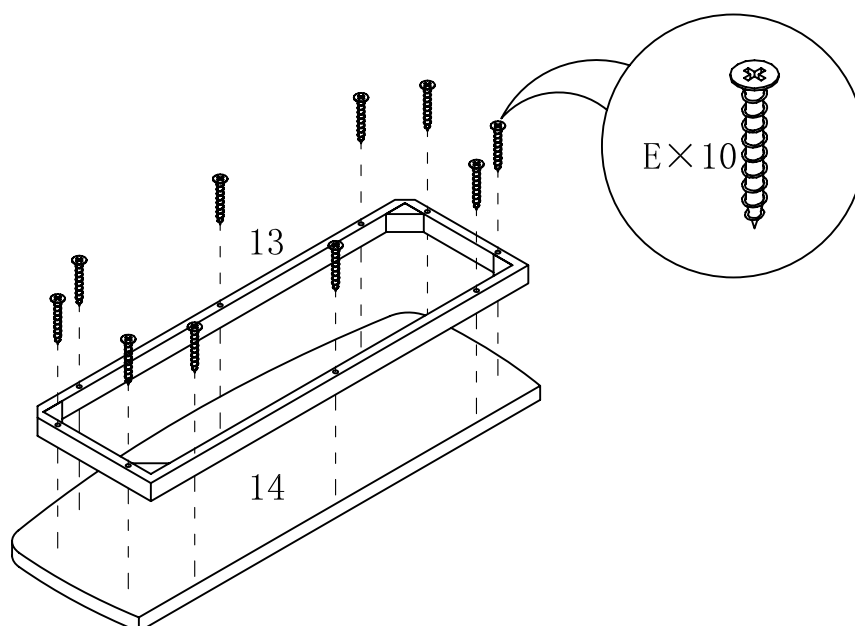
# ASSEMBLY INSTRUCTION

ITEM#: 11462



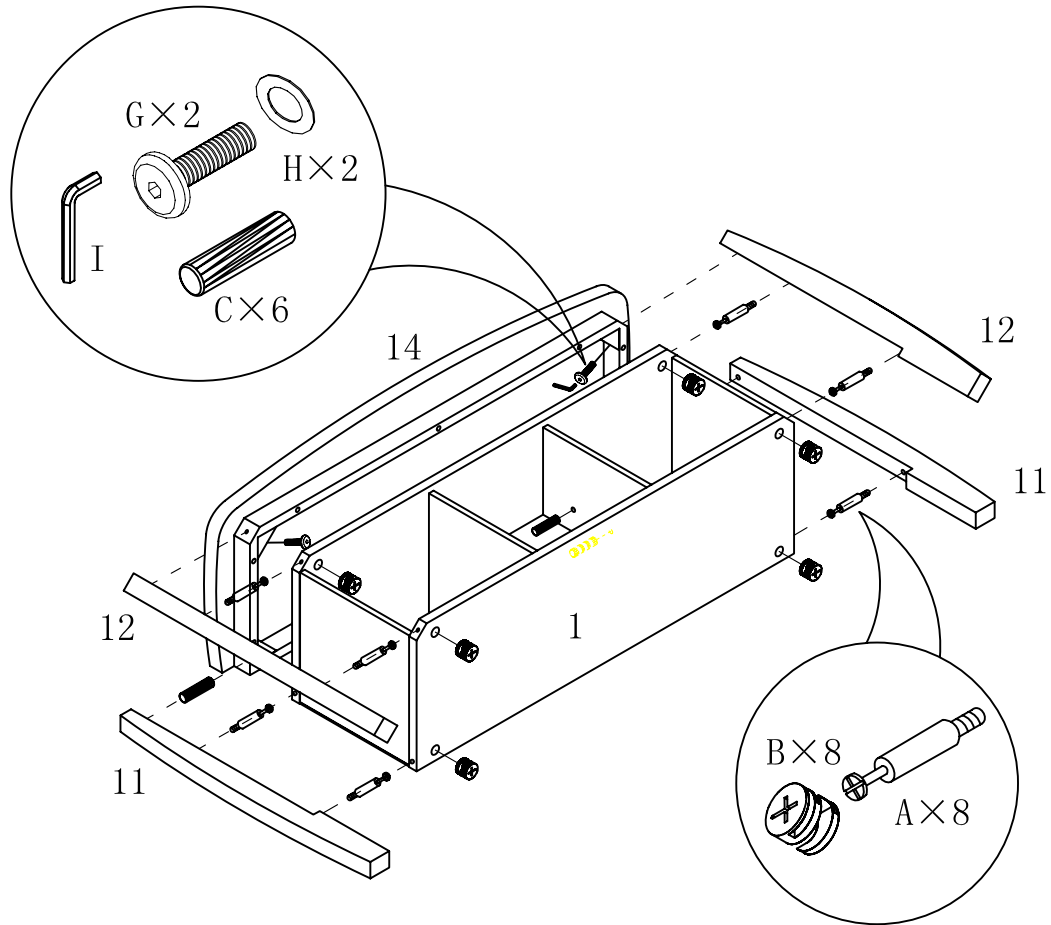
STEP3

STEP4



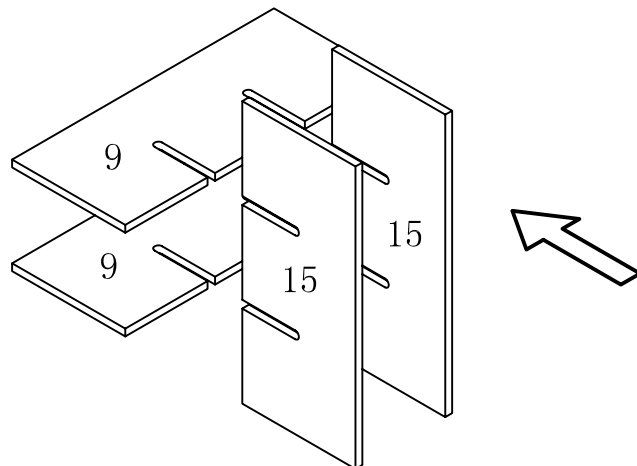
# ASSEMBLY INSTRUCTION

ITEM#: 11462



STEP5

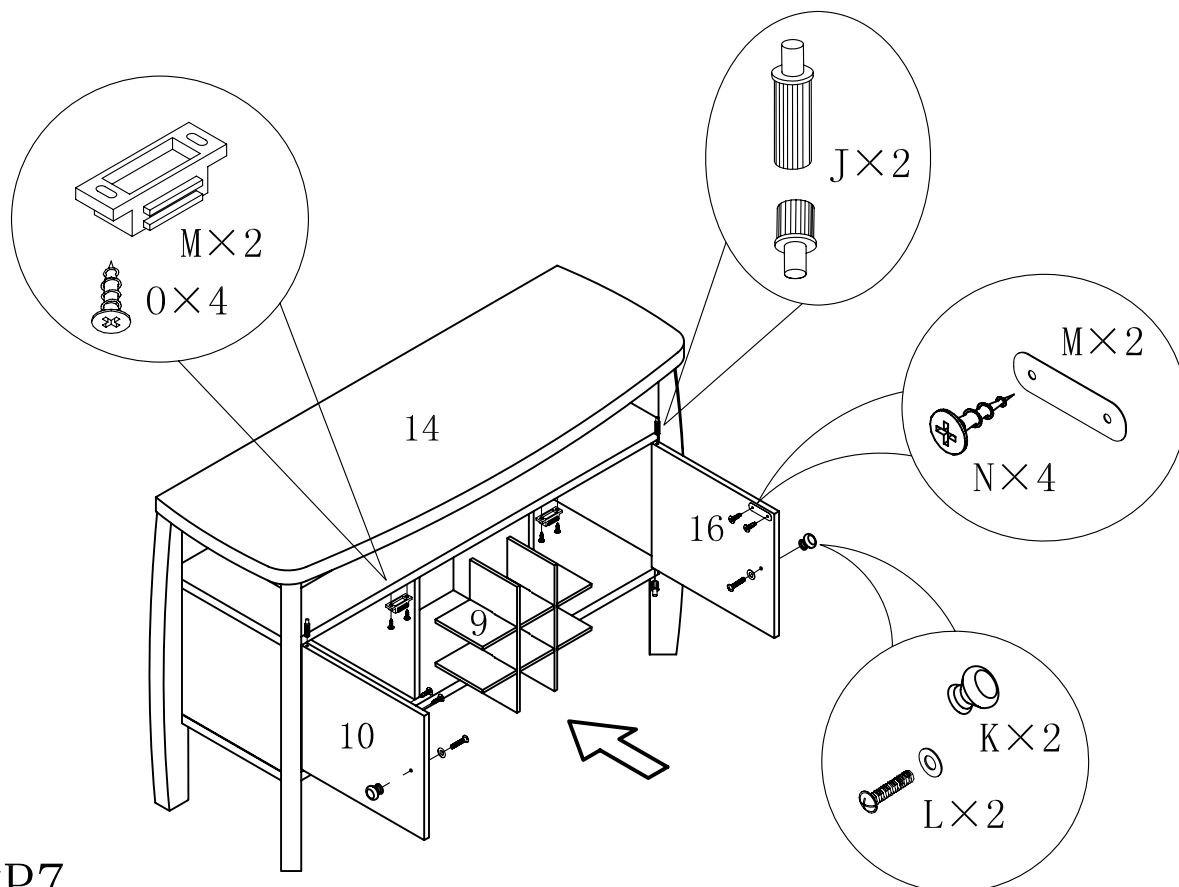
STEP6





# ASSEMBLY INSTRUCTION

ITEM#: 11462



STEP 7

STEP 8

