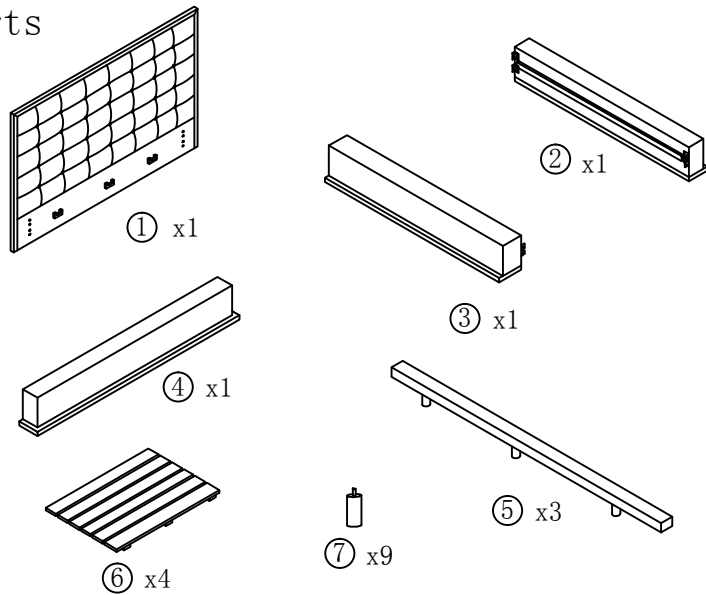


# MD317-K/CK Assembly Instructions

## Parts



⑧ x12 M8\*1"



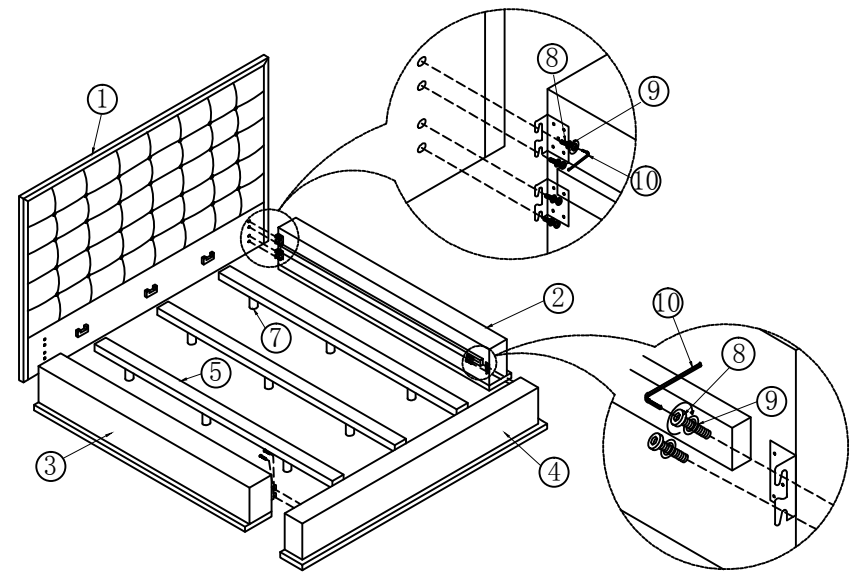
⑨ x12  
M8\* $\phi$ 22\*2



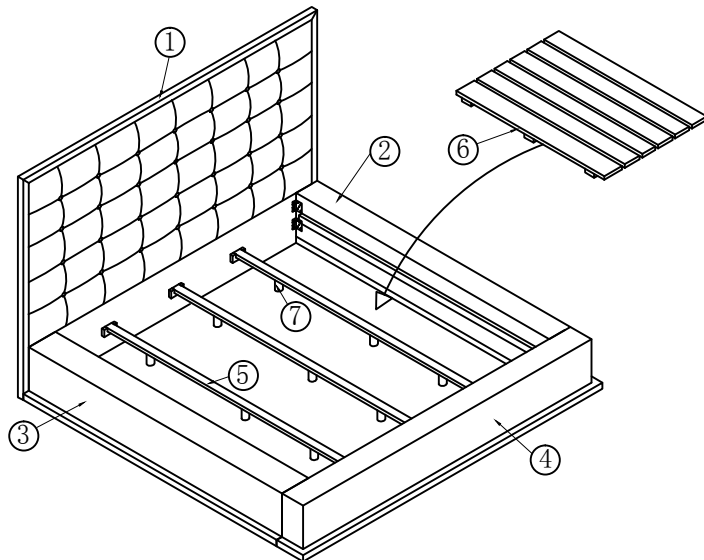
⑩ x1 M5



1:



2:



3:

