

MIMÉ

FR45606BNI

Bulbs: 3-60W CAND. Replacement Parts: SHADE: R45606SH, R45602CRY-A

ASSEMBLY INSTRUCTIONS

Assembly of this fixture will be accomplished by first assembling the main body, installing the mounting hardware to the junction box, hanging the fixture and then installing the shade and crystals.

SAFETY WARNING: Read wiring and grounding instructions [FRIS 18] and any additional directions. Turn power supply off during installation. If new wiring is required, consult a qualified electrician or local authorities for code requirements.

STEP 1

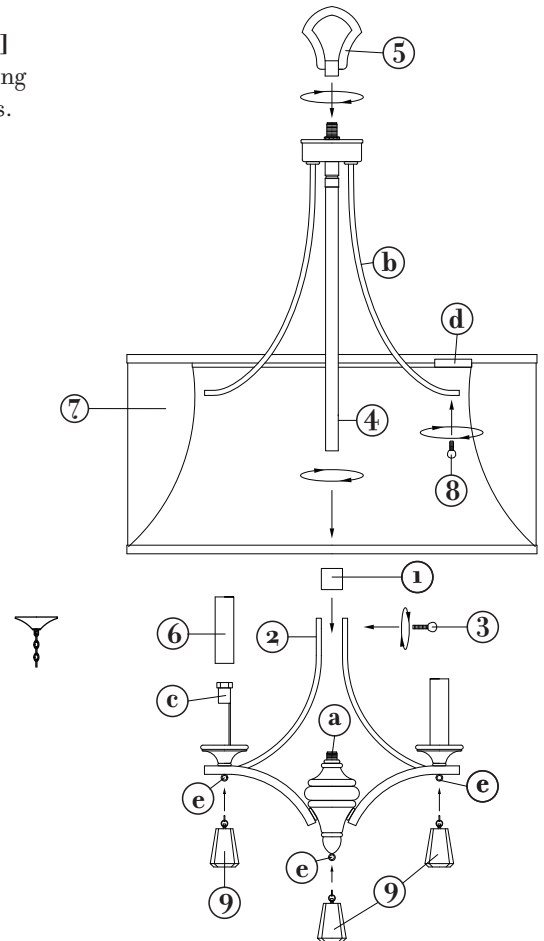
- 1 Slip center ring (1) along wire and between arms (2). Line up holes in ring to holes in arms: See Drawing 1.
- 2 Slip ball knob stud (3) through arm and thread into ring (1).
- 3 Slip center column (4) along wire and through ring (1) and thread onto top of main body (a).
- 4 Slip loop (5) along wire and thread onto top of fixture.
- 5 Spread arms (b) until they are 120 degrees apart.
- 6 Slip candle sleeve (5) over socket (c).
- 7 Fixture is ready for installation.

STEP 2 Refer to Hanging Instruction Sheet [FRIS19] to hang fixture. Then refer back to this sheet to continue installation of this fixture.

STEP 3

- 1 Take shade (7) and line up holes in tabs (d) with the holes in end of arms (b). Shade tab should be on top of the arm.
- 2 Slip ball knob stud (8) through hole in arm and thread it into shade tab. Repeat process with the remaining arms.
- 3 Attach crystals (9) at areas (e) indicated.

[DRAWING 1]



FREDRICK RAMOND
ESTABLISHED 1965

800.421.3517 WWW.FREDRICKRAMOND.COM

01.01.11