



MIMÉ

FR45607BNI

Bulbs: 100W MED.

Replacement Parts: SHADE: R45607SH

ASSEMBLY INSTRUCTIONS

Assembly of this fixture will be accomplished by first determining the length of stem required, attaching the mounting strap to the junction box, making all necessary electrical connections, hanging the fixture from the ceiling and then installing the fixture shade.

SAFETY WARNING: Read wiring and grounding instructions [FRIS 18] and any additional directions. Turn power supply off during installation. If new wiring is required, consult a qualified electrician or local authorities for code requirements.

STEP 1

- 1 Determine the overall length you will need the assembled fixture to be.
- 2 Determine what stems will be needed to achieve the overall length you require. (Additional stems are available and can be ordered. Ask your local Fredrick Ramond representative or visit www.fredrickramond.com for information.)
- 3 Install stems by slipping them onto the supply wire of the fixture, threaded end up, and threading them together.

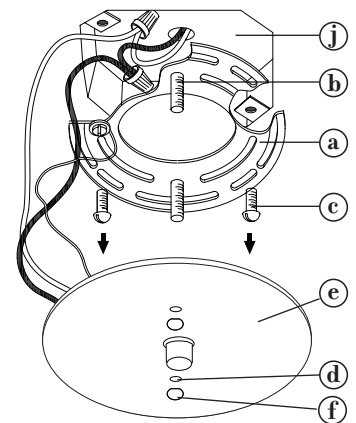
STEP 2

- 1 Prepare mounting strap (a) by threading the two longest screws (b) into the back of the mounting strap (a), making sure the holes into which the screws are threaded match the spacing of holes (d) in the backplate (e) - See Drawing 2.
- 2 Attach mounting strap (a) to junction box (j) using two screws (c).
- 3 Make electrical connections from supply wire to fixture lead wires. Refer to instruction sheet [FRIS18] and follow all instructions to make all necessary wiring connections. Then refer back to this sheet to continue installation of this fixture.
- 4 To mount fixture, slip the two mounting screws (b) through the two mounting holes (d) in the backplate (e).
- 5 While holding fixture in place, thread the two ball knobs (f) on to the end of the mounting screws (b), and tighten.

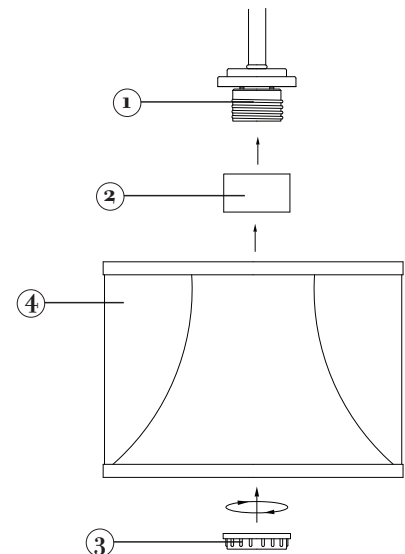
STEP 3

- 1 To install shade, remove socket ring (3) and spacer (2) from socket (1).
- 2 Slip spacer (2) over socket (1) followed by shade (4) and thread socket ring (3) back onto socket (1) to secure shade.
- 3 Fixture can now be lamped accordingly.

[DRAWING 1]



[DRAWING 2]



FREDRICK RAMOND
ESTABLISHED 1965

800.421.3517 WWW.FREDRICKRAMOND.COM

11.18.09