

NEST

FR52206ORB

Bulbs: 60 W MED. Replacemnt parts: GLASS: R52206GL-FRT, R52206GL-BOT, R52206GL-END

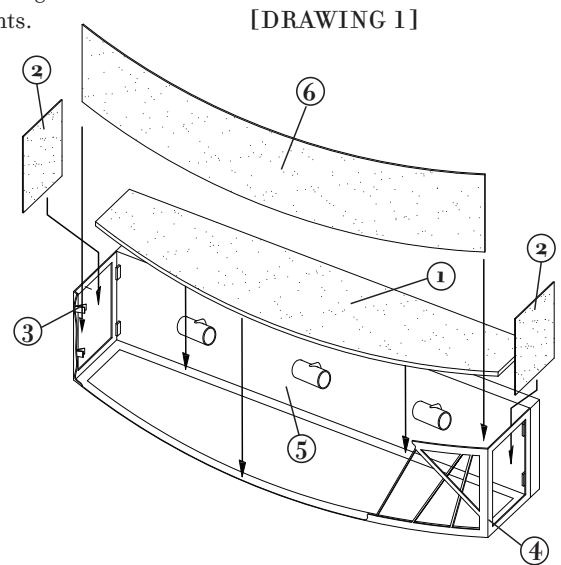
ASSEMBLY INSTRUCTIONS

Assembly of this fixture will be accomplished by first installing the mounting strap to the junction box, installing the glass, then mounting the fixture to the wall.

SAFETY WARNING: Read wiring and grounding instructions [FRIS 18] and any additional directions. Turn power supply off during installation. If new wiring is required, consult a qualified electrician or local authorities for code requirements.

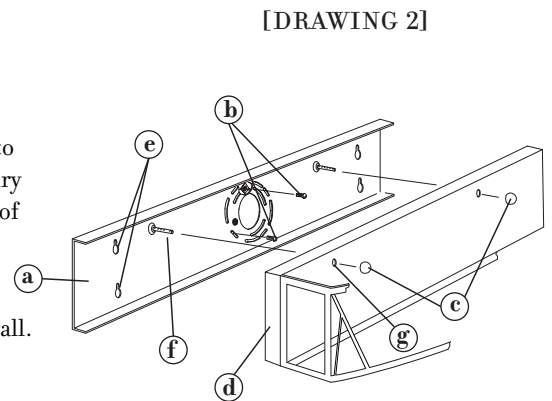
STEP 1

- 1 The glass must be installed in a specific order. The first panel to install in the fixture is the bottom panel (1) - See Drawing 1. It will be necessary to navigate the panel passed the sockets. This can be accomplished by slipping the back edge of the panel under the sockets and then lowering the front edge of the glass down into position.
- 2 Intall the tow side panels (2) next. Slip this down into position behind the glass clips (3) located on the front upright (4) and backplate (5).
- 3 Now slip the front arched panel (6) behind the glass clips (3) located on the front uprights.
- 4 Bend glass clips (3) against glass to hold panels in position.



STEP 2

- 1 Remove ball knobs (e) from fixture - See Drawing 2.
- 2 Remove retainer plate (a) from backplate (d).
- 3 Attach retainer plate (a) to junction box (j) using screws (b).
- 4 Additional screws (not provided) can be installed at points (e).
- 5 Make electrical connections from supply wire to fixture lead wires. Refer to instruction sheet [FRIS18] and follow all instructions to make all necessary wiring connections. Then refer back to this sheet to continue installation of this fixture.
- 6 Slip holes (g) in backplate (d) over screws (f) on retainer plate (a).
- 7 Thread ball knobs (c) onto screws (f) and tighten to secure backplate to wall.



FREDRICK RAMOND
ESTABLISHED 1965

800.421.3517 WWW.FREDRICKRAMOND.COM

01.01.10