

# NEST

## FR52202ORB

Bulbs: 75 W MED.

Replacemnt parts: GLASS: R52202GL-FRT, R52202GL-END

[DRAWING 1]

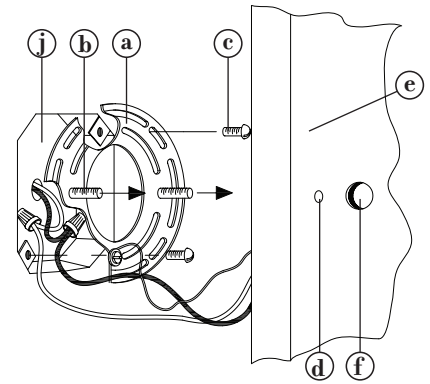
### ASSEMBLY INSTRUCTIONS

Assembly of this fixture will be accomplished by first installing the mounting strap to the junction box, mounting the fixture to the wall and then installing the glass.

**SAFETY WARNING:** Read wiring and grounding instructions [FRIS 18] and any additional directions. Turn power supply off during installation. If new wiring is required, consult a qualified electrician or local authorities for code requirements.

#### STEP 1

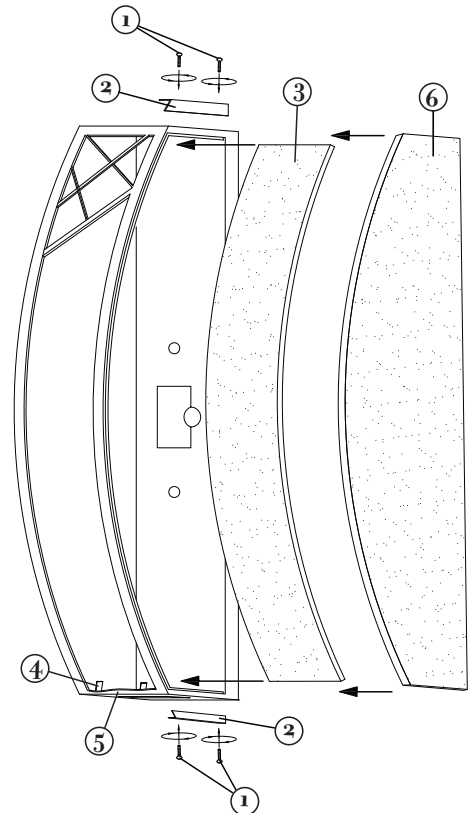
- 1 Prepare mounting strap (a) by threading the two longest mounting screws (b) into the back of the mounting strap (a), making sure the holes into which the screws are threaded match the spacing of holes (d) in the backplate (e) - See Drawing 1.
- 2 Attach mounting strap (a) to junction box (j) using two screws (c).
- 3 Make electrical connections from supply wire to fixture lead wires. Refer to instruction sheet [FRIS18] and follow all instructions to make all necessary wiring connections. Then refer back to this sheet to continue installation of this fixture.
- 4 To mount fixture, slip the two mounting screws (b) through the two mounting holes (d) in the backplate (e).
- 5 While holding fixture in place, thread the two ball knobs (f) on to the end of the mounting screws (b), and tighten.



[DRAWING 2]

#### STEP 2

- 1 To install glass it is first necessary to remove the two screws (1) that hold each of the four brackets (2) in place on the top and bottom of the fixture cage assembly. All screws and brackets should be set aside in a safe place to use later.
- 2 Install the arched front panel (3) by sliding it in and in front of the glass clips (4) located behind uprights (5).
- 3 Attach the brackets (2) removed from the bottom of the fixture earlier. Do not tighten the screws at this time. Leave brackets loose.
- 4 Slip bottom end of one side panel (6) behind bottom bracket (2) and tilt panel upward into position. Hold panel in position and attach top bracket (2) with screws (1) removed earlier. Screw in top and bottom brackets can now be tightened.
- 5 Lamp fixture accordingly prior to installing last side panel (6).
- 6 Install last side panel by following the same procedures outlined above in line 4.



FREDRICK RAMOND  
ESTABLISHED 1965

800.421.3517 WWW.FREDRICKRAMOND.COM

01.01.10