



# CELESTE

FR42642SLF

Bulbs: 60W CAND.

Replacement Parts: GLASS: FR42640GL, FR42640CRY

## ASSEMBLY INSTRUCTIONS

Assembly of this fixture will be accomplished by first installing the mounting strap to the junction box, making all necessary electrical connections, mounting the fixture to the wall, and then installing the crystal and fixture glass.

**SAFETY WARNING:** Read wiring and grounding instructions [FRIS 18] and any additional directions. Turn power supply off during installation. If new wiring is required, consult a qualified electrician or local authorities for code requirements.

### STEP 1

- 1 Prepare mounting strap (a) by threading tube into the center hole of the mounting strap (a), approximately 1/4" - see Drawing 2.
- 2 Attach mounting strap (a) to junction box (j) using two screws (b) provided.

**STEP 2** Make electrical connections from supply wire to fixture lead wires. Refer to instruction sheet (I.S. 18) and follow all instructions to make all necessary wiring connections. Then refer back to this sheet to continue installation of this fixture.

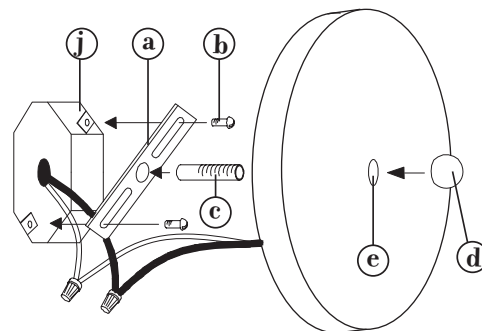
### STEP 3

- 1 To mount backplate to wall, slip center hole of backplate (e) over nipple (c) and hold fixture in position - see Drawing 2.
- 2 Thread decorative knob (d) onto end of nipple (c) and tighten to secure fixture.

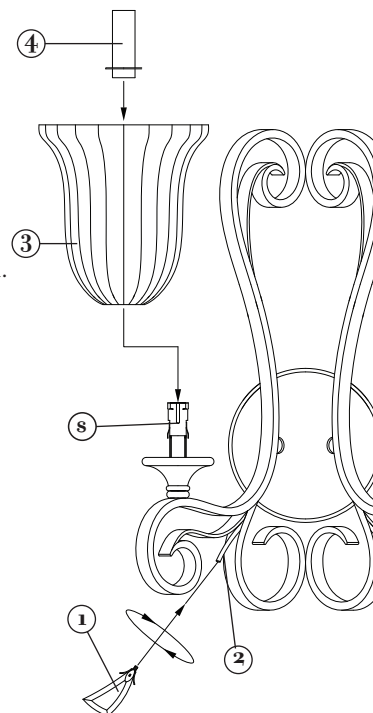
### STEP 4

- 1 To install crystal (1) thread end into end of stem (2) until snug or in appropriate position.
- 2 Slip glass (3) over socket (s) - See Drawing 2.
- 3 Slip socket cover (4) over socket (S) making sure flat washer is facing down. Making sure small tube on bottom of sleeve slips through bottom hole in glass.
- 4 Fixture can now be lamped accordingly.

[DRAWING 1]



[DRAWING 2]



FREDRICK RAMOND  
ESTABLISHED 1965

800.421.3517 WWW.FREDRICKRAMOND.COM

6.01.11