

COCO

FR43608BCA

Bulbs: 60W CAND.

Replacement Parts: GLASS: R43603GL

[DRAWING 1]

ASSEMBLY INSTRUCTIONS

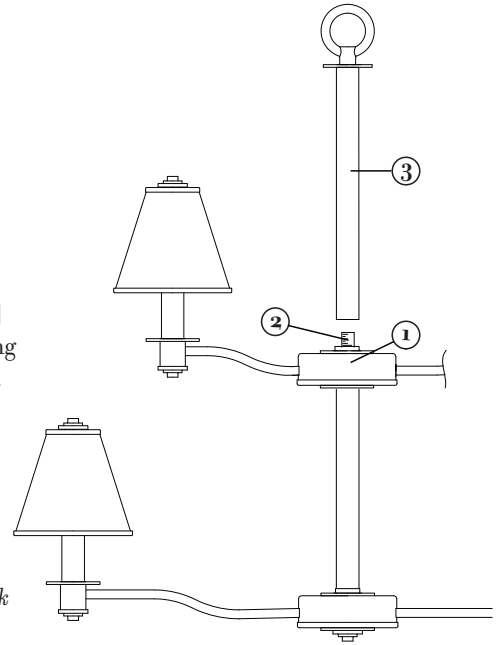
Assembly of this fixture will be accomplished by first, assembling the main body, hanging the fixture from the ceiling, making all necessary electrical connections, and then installing the glass shades.

SAFETY WARNING: Read wiring and grounding instructions [FRIS 18] and any additional directions. Turn power supply off during installation. If new wiring is required, consult a qualified electrician or local authorities for code requirements.

STEP 1

- 1 Slip center column assembly (3) along wire and thread onto threaded tube (2) located on the top of the main body (1) - see Drawing 1.

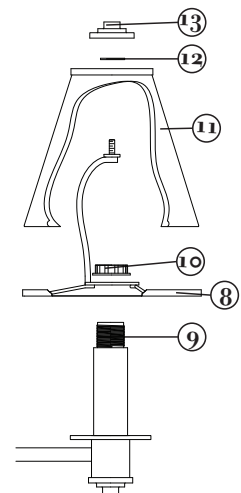
STEP 2 Refer to Hanging Instruction Sheet [FRIS19] to hang fixture. Then refer back to this sheet to continue installation of this fixture.



STEP 3

- 1 To install glass, slip hole in base of shade harp (8) over socket (9) - see Drawing 2.
- 2 Thread socket ring (10) onto socket (9) and tighten. Making sure shade harp arm is facing the back of the fixture.
- 3 Fixture can now be lamped accordingly.
- 4 Slip center hole of glass shade (11) over threaded stud on top of shade harp (8).
- 5 Slip plastic washer (12) onto threaded stud of shade harp.
- 6 Thread decorative knob (13) onto threaded stud of shade harp (8) and tighten to secure glass shade (11).

[DRAWING 2]



FREDRICK RAMOND

ESTABLISHED 1965

800.421.3517 WWW.FREDRICKRAMOND.COM

01.01.11