

# CELESTE

FR42644SLF

Bulbs: 60W CAND. Replacement Parts: SHADE: R42644SH CRYSTAL: R42640CRY

## ASSEMBLY INSTRUCTIONS

Assembly of this fixture will be accomplished by first assembling the main body, installing the mounting hardware to the junction box, making all necessary electrical connections, hanging the fixture and then attaching the fixture shade.

**SAFETY WARNING:** Read wiring and grounding instructions [FRIS 18] and any additional directions. Turn power supply off during installation. If new wiring is required, consult a qualified electrician or local authorities for code requirements.

### STEP 1

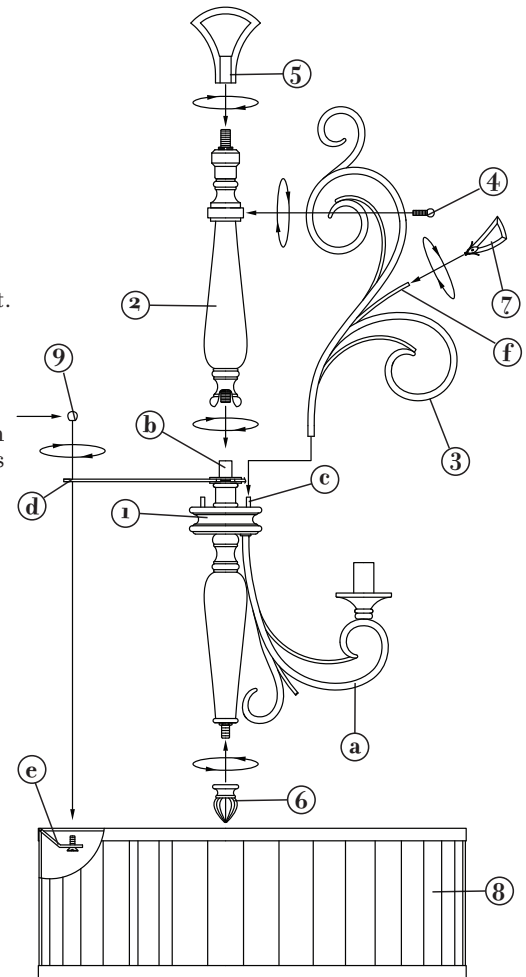
- 1 Spread arms of main body (1) apart until they are equally spaced 90 degrees apart. - see Drawing 1.
- 2 Slip center column (2) along wire and thread into couple (b).
- 3 Insert bottom end of upper scroll (3) over peg (c) and attach top to center column (2) using ball knob stud (4). It may be necessary to rotate center column for holes to line up.
- 4 Slip loop (5) along wire and thread onto top of center column (2).
- 5 Thread finial (6) onto bottom of fixture.
- 6 Crystal (7) can now be threaded onto end of the stems (f).
- 7 Fixture can now be installed. After installation return to this section for shade installation instructions.

**STEP 2** Refer to Hanging Instruction Sheet [FRIS19] to hang fixture. Then refer back to this sheet to continue installation of this fixture.

### STEP 3

- 1 To install shade (8), lift shade up to fixture and align screws in shade bracket (e) with holes in fixture bracket (d).
- 2 Thread on ball knob (9) to attach shade (8) - see Drawing 1.

[DRAWING 1]



FREDRICK RAMOND

ESTABLISHED 1965

800.421.3517 WWW.FREDRICKRAMOND.COM

7.1.08