

MUSE



FR40600BKS

Bulbs: 60W G16-1/2 CAND.

Replacement Parts: GLASS: R40600MIR; R40600PAL

ASSEMBLY INSTRUCTIONS

Assembly of this fixture will be accomplished by first installing the mounting strap to the junction box, making all necessary electrical connections, mounting the fixture to the wall and then attaching fixture glass.

SAFETY WARNING: Read wiring and grounding instructions [FRIS 18] and any additional directions. Turn power supply off during installation. If new wiring is required, consult a qualified electrician or local authorities for code requirements.

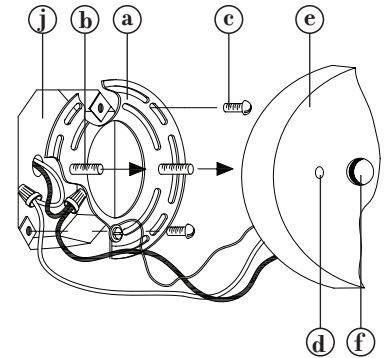
STEP 1

- 1 Prepare mounting strap (a) by threading the two longest mounting screws (b) into the back of the mounting strap (a), making sure the holes into which the screws are threaded match the spacing of holes (d) in the backplate (e) - See Drawing 1.
- 2 Attach mounting strap (a) to junction box (j) using two screws (c).
- 3 Make electrical connections from supply wire to fixture lead wires. Refer to instruction sheet [FRIS18] and follow all instructions to make all necessary wiring connections. Then refer back to this sheet to continue installation of this fixture.
- 4 To mount fixture, slip the two mounting screws (b) through the two mounting holes (d) in the backplate (e).
- 5 While holding fixture in place, thread the two ball knobs (f) onto the end of the mounting screws (b), and tighten.

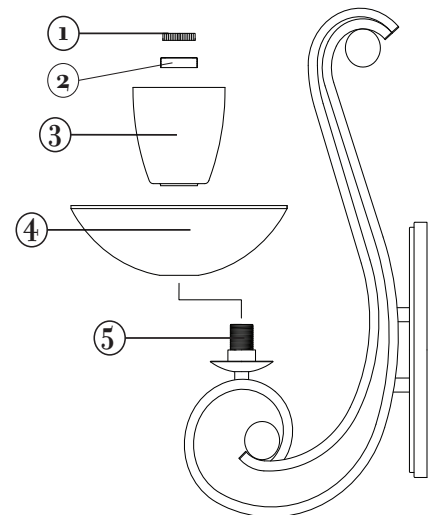
STEP 2

- 1 To install glass shades, remove socket ring (1) from threaded socket (5) - See Drawing 2.
- 2 Slip mirrored glass (4) over socket followed by opal glass (3).
- 3 Slip spacer (2) over socket and adjusted glassed (4) and (3) so it is level and center on fixture.
- 4 Thread socket ring (1) onto socket (5) and tighten to secure glass.
- 5 Fixture can now be lamped accordingly.

[DRAWING 1]



[DRAWING 2]



FREDRICK RAMOND
ESTABLISHED 1965

800.421.3517 WWW.FREDRICKRAMOND.COM

06.01.11