

GLOBE

FR38510 BNI/PCM/CLD

Bulbs: 60W MED.

Replacement Parts: GLASS: R38510GL

ASSEMBLY INSTRUCTIONS

Assembly of this fixture will be accomplished by first determining the length of stem required, attaching the mounting strap to the junction box, making all necessary electrical connections, hanging the fixture from the ceiling and then installing the fixture glass.

SAFETY WARNING: Read wiring and grounding instructions [FRIS 18] and any additional directions. Turn power supply off during installation. If new wiring is required, consult a qualified electrician or local authorities for code requirements.

STEP 1

- 1 First it will be necessary to determine the height you want to hang your fixture. To adjust the cord length loosen set screw (g) located in the fitting (h) on the canopy (e).
- 2 The canopy (e) is now free and can be slide along the cord (i). Move the canopy to the point on the cord that will give you the correct height you have determined for your fixture. Tighten set screw (g) to secure canopy in position.
- 3 Prior to wiring and hanging the fixture, it will be necessary to weave excess cord (i) through strain relief (s). Make sure to leave a minimum of 6" of cord above the canopy for wiring purposes. Do Not remove strain relief (s).

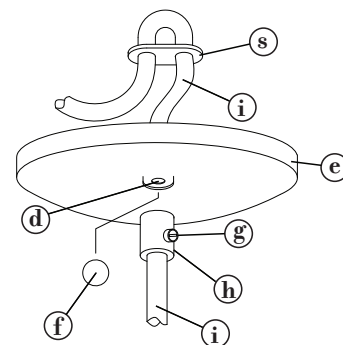
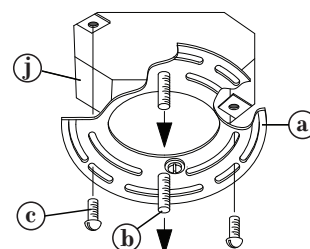
STEP 2

- 1 Prepare mounting strap (a) by threading the two longest screws (b) into the back of the mounting strap (a), making sure the holes into which the screws are threaded match the spacing of holes (d) in the canopy (e) - See Drawing 1.
- 2 Attach mounting strap (a) to junction box (j) using two screws (c).
- 3 Make electrical connections from supply wire to fixture lead wires. Refer to instruction sheet [FRIS18] and follow all instructions to make all necessary wiring connections. Then refer back to this sheet to continue installation of this fixture.
- 4 To mount fixture, slip the two mounting screws (b) through the two mounting holes (d) in the backplate (e).
- 5 While holding fixture in place, thread the two ball knobs (f) on to the end of the mounting screws (b), and tighten.

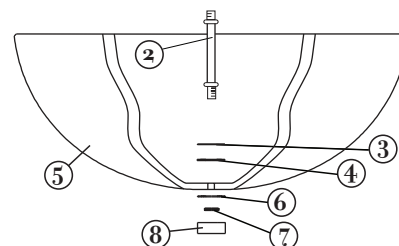
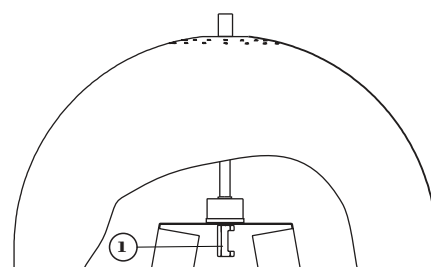
STEP 3

- 1 To install glass first thread short threaded end of stem (2) into coupler (1) and tighten.
- 2 Slip flat metal washer (3) followed by rubber washer (4) onto end of stem (2).
- 3 Slip center hole of glass (5) onto stem (2) and hold in position.
- 4 Slip flat washer (6) onto exposed end of stem (2) and hold in position.
- 5 Thread knurled knob (7) onto end of stem and hand tighten to secure glass.
- 6 Thread decorative knob (8) onto end of stem and hand tighten to complete assembly.

[DRAWING 1]



[DRAWING 2]



FREDRICK RAMOND
ESTABLISHED 1965