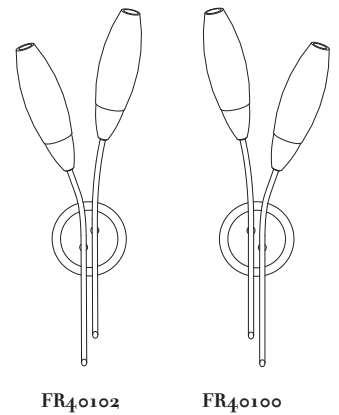


FREDRICK RAMOND

Replacement Parts: GLASS: R5960GL
FR40100 / FR40102



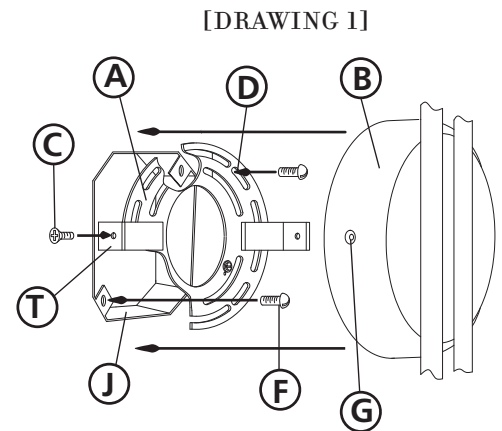
ASSEMBLY INSTRUCTIONS

Assembly of this fixture will be accomplished by first attaching the mounting hardware to the junction box, making all necessary wiring connections, mounting the fixture to the wall and then installing the fixture glass.

SAFETY WARNING: Read wiring and grounding instructions [FRIS 18] and any additional directions. Turn power supply off during installation. If new wiring is required, consult a qualified electrician or local authorities for code requirements.

STEP 1

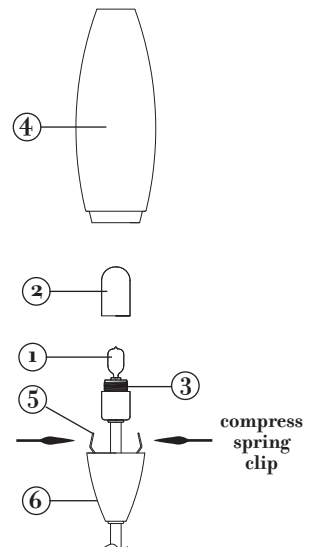
- 1 It is necessary to remove the mounting strap (A) from the backplate (B) by the 2 flathead screws (C) from the side. Set these aside to be used later.
- 1 Align slots (D) in mounting strap with the mounting holes in the junction box (J). Attach mounting bracket (A) to junction box using 2-8/32 screws (F). Prior to tightening screws (F), make sure the tabs (T) on the mounting strap, are parallel to the ceiling - See Drawing 1.
- 2 Make electrical connections from supply wire to fixture lead wires. Refer to instruction sheet [FRIS18] and follow all instructions to make all necessary wiring connections. Then refer back to this sheet to continue installation of this fixture.
- 4 To mount fixture, slip backplate (B) over the mounting strap (A). Align side holes in backplate tab (T) with the side holes (G) in backplate (B). Thread in flat screws (C) removed earlier to attach fixture to wall.



STEP 2

- 1 Prior to glass being installed, fixture can now be lamped accordingly with bulbs provided (1) - See Drawing 2.
- 2 After lamping, thread bulb shield (2) onto socket (3). Finger tighten only.
- 3 To install glass (4), compress spring clip (5) and slip glass over spring clip and down into glass cup (6). Repeat for remaining pieces of glass.
- 4 After glass is installed fixture is complete.

[DRAWING 2]



FREDRICK RAMOND
ESTABLISHED 1965

A Division of Hinkley Lighting, Inc.
33000 PIN OAK PARKWAY | AVON LAKE, OHIO 44012
toll free 800.446.5539 | phone 440.653.5500