

PANDORA

FR42400BRC

Bulbs: 60 W CAND.

Replacement Parts: SHADE: R42400SH

ASSEMBLY INSTRUCTIONS

Assembly of this fixture will be accomplished by first installing the mounting strap to the junction box, making all necessary electrical connections, mounting the fixture to the wall and then attaching fixture glass.

SAFETY WARNING: Read wiring and grounding instructions [FRIS 18] and any additional directions. Turn power supply off during installation. If new wiring is required, consult a qualified electrician or local authorities for code requirements.

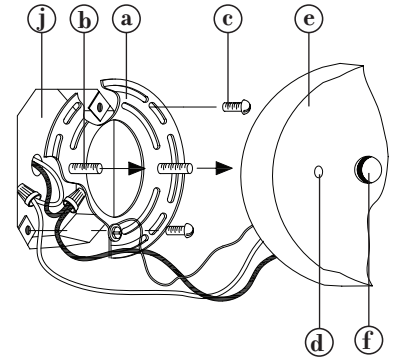
STEP 1

- 1 Prepare mounting strap (a) by threading the two longest mounting screws (b) into the back of the mounting strap (a), making sure the holes into which the screws are threaded match the spacing of holes (d) in the backplate (e) - See Drawing 1.
- 2 Attach mounting strap (a) to junction box (j) using two screws (c).
- 3 Make electrical connections from supply wire to fixture lead wires. Refer to instruction sheet [FRIS18] and follow all instructions to make all necessary wiring connections. Then refer back to this sheet to continue installation of this fixture.
- 4 To mount fixture, slip the two mounting screws (b) through the two mounting holes (d) in the backplate (e).
- 5 While holding fixture in place, thread the two ball knobs (f) onto the end of the mounting screws (b), and tighten.

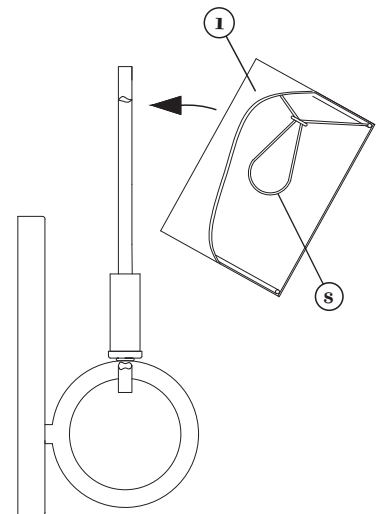
STEP 2

- 1 Fixture can be lamped accordingly at this point. It is recommended that flame tip candlelabria bulbs NOT be used, since the flame tip may interfere with the shade setting properly on the fixture - see Drawing 2.
- 2 To attach shade (1) turn shade so inside bulb clip (s) is perpendicular to the outside of the fixture. Spread bulb clip (s) and slip onto bulb. Shade can now be adjusted.

[DRAWING 1]



[DRAWING 2]



FREDRICK RAMOND
ESTABLISHED 1965

800.421.3517 WWW.FREDRICKRAMOND.COM

06.01.11