

# CARABEL

FR44621BCH



Bulbs: 100W MED.

## ASSEMBLY INSTRUCTIONS

Assembly of this fixture will be accomplished by first assembling the main body, installing the mounting hardware to the junction box, making all necessary electrical connections and then hanging the fixture.

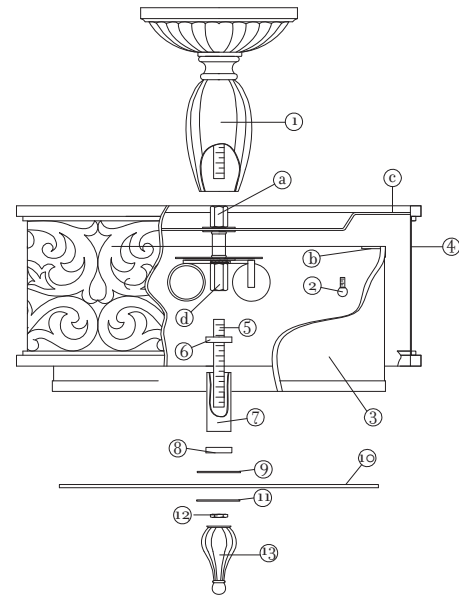
**SAFETY WARNING:** Read wiring and grounding instructions [FRIS 18] and any additional directions. Turn power supply off during installation. If new wiring is required, consult a qualified electrician or local authorities for code requirements.

### STEP 1

- 1 Slip center column (1) along wire and thread onto coupler (a).
- 2 Remove ball knob with stud (2) from cage arm (c) - See Drawing 1.
- 3 Slip shade (3) into the cage assembly (4). Making sure to line up holes (b) in shade with holes (c) on cage arms.
- 4 Thread ball knob and stud (2) into cage arm (c) to secure shade.
- 5 Thread stem (5) into coupler (d) located in the center of the socket assembly, approximately 3/8".
- 6 Slip cap (6) flat part up, onto stem (5) followed by tube (7) and hold in position.
- 7 Slip bottom cap (8) flat side down, onto stem (5) and over end of tube (7), followed by rubber washer (9). Rubber washer will hold parts in position.
- 8 Fixture can now be lamped accordingly. Slip acrylic lens (10) onto stem (5) and hold in position.
- 9 Slip rubber washer (11) onto stem (5), then thread hex nut (12) onto stem (5) and tighten to secure acrylic lens.
- 10 Thread finial (13) onto end of exposed stem (5) to complete assembly.

**STEP 2** Refer to Hanging Instruction Sheet [FRIS19] to hang fixture.

[DRAWING 1]



FREDRICK RAMOND

ESTABLISHED 1965

800.421.3517 WWW.FREDRICKRAMOND.COM

12.1.09