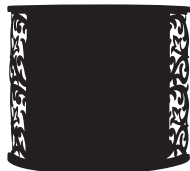


CARABEL



FR44620BCH

Bulbs: 60W CAND.

ASSEMBLY INSTRUCTIONS

Assembly of this fixture will be accomplished by first installing the mounting strap to the junction box, making all necessary electrical connections, mounting the fixture to the wall and then installing the shade and decorative cage.

SAFETY WARNING: Read wiring and grounding instructions [FRIS 18] and any additional directions. Turn power supply off during installation. If new wiring is required, consult a qualified electrician or local authorities for code requirements.

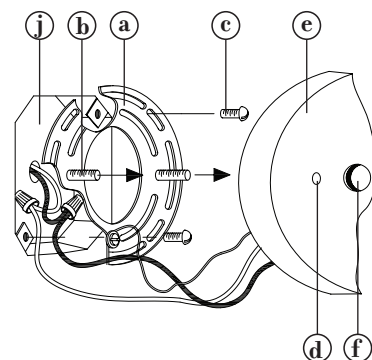
STEP 1

- 1 Prepare mounting strap (a) by threading mounting screws (b) into the back of the mounting strap (a), making sure the holes into which the screws are threaded match the spacing of holes (d) in the backplate (e) - See Drawing 1.
- 2 Attach mounting strap (a) to junction box (j) using two longest mounting screws (c).
- 3 Make electrical connections from supply wire to fixture lead wires. Refer to instruction sheet [FRIS18] and follow all instructions to make all necessary wiring connections. Then refer back to this sheet to continue installation of this fixture.
- 4 To mount fixture, slip the two mounting screws (b) through the two mounting holes (d) in the backplate (e).
- 5 While holding fixture in place, thread the two ball knobs (f) on to the end of the mounting screws (b), and tighten.

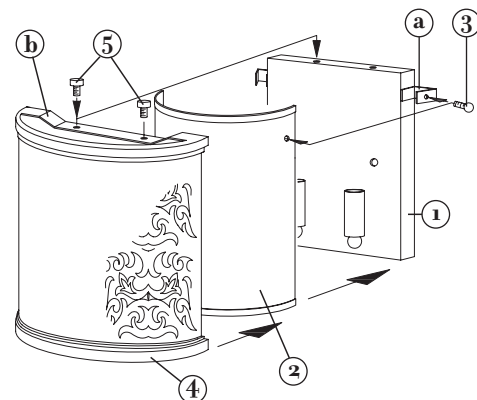
STEP 2

- 1 Fixture can now be lamped accordingly.
- 2 To install shade (2), remove ball knob studs (3) from shade bracket (a) located on the sides of the backplate (1) - See Drawing 2
- 3 Line up holes in shade (2) with the holes in the shade bracket (a) and thread in the ball knob studs (3) to secure shade.
- 4 To install decorative cage (4), remove cap knob studs (5) from the top of the backplate (1).
- 5 Slip top bracket (b) of the decorative cage (4) onto the top of the backplate (1).
- 6 Slip cap knob studs (5) through holes in bracket (B) and thread them back into top of backplate (1).
- 7 Fixture is complete.

[DRAWING 1]



[DRAWING 2]



FREDRICK RAMOND
ESTABLISHED 1965

800.421.3517 WWW.FREDRICKRAMOND.COM

12.1.09