

NEST

FR41613ORB

Bulbs: 100W MED. Replacement Parts: GLASS: R41613GL



ASSEMBLY INSTRUCTIONS

Assembly of this fixture will be accomplished by first assembling the main body, installing the mounting hardware to the junction box, making all necessary electrical connections, hanging the fixture from the ceiling and then installing the fixture glass.

SAFETY WARNING: Read wiring and grounding instructions [FRIS 18] and any additional directions. Turn power supply off during installation. If new wiring is required, consult a qualified electrician or local authorities for code requirements.

STEP 1

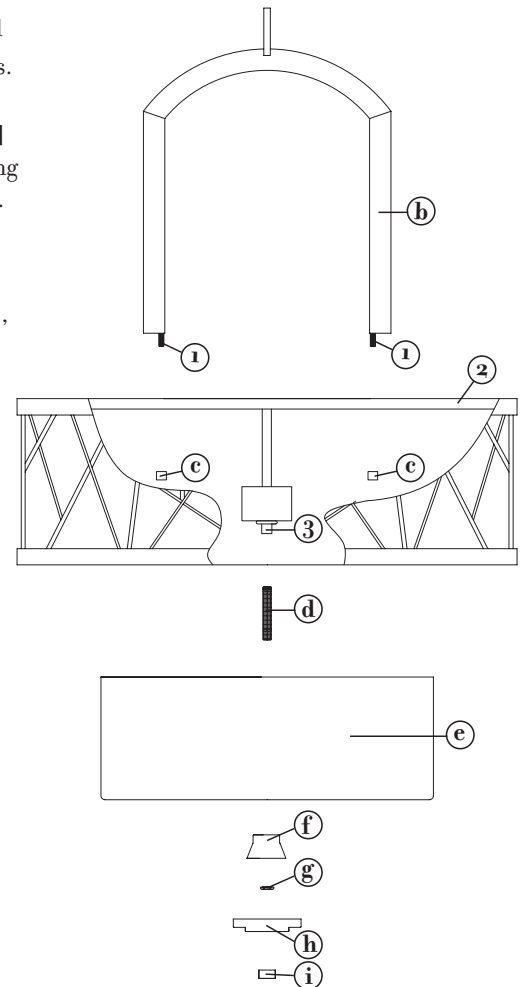
- 1 Slide yoke (b) along wire and slip studs (1) through holes in top of cross bar (2), making sure not to pinch any wires during the process.
- 2 Thread barrel nuts (c) onto end of studs (1) and tighten.

STEP 2 Refer to Hanging Instruction Sheet [FRIS19] to hang fixture.

STEP 3

- 1 Prior to installing glass, fixture can now be lamped accordingly.
- 2 To install glass, thread center tube (d) into coupler (3) approximately 3/8".
- 3 Slip glass (e) onto center tubing (d) and hold in position.
- 4 Slip cap (f) onto center tubing (d) and hold in position.
- 5 Thread hex nut (g) onto center tube (d) and tighten to secure glass (e).
- 6 Slip bottom cap (h) onto center tube (d) and hold in position.
- 7 Thread barrel cap (i) onto end of center tube (d) and tighten to secure parts.

[DRAWING 1]



FREDRICK RAMOND

ESTABLISHED 1965

800.421.3517 WWW.FREDRICKRAMOND.COM

6.22.09