

PROSECCO



FR49430RCO

Bulbs: 60W CAND. Replacement Parts: SHADE: R49430SH CRYSTALS: R49430CRY-A1, R49430CRY-B1

ASSEMBLY INSTRUCTIONS

Assembly of this fixture will be accomplished by first assembling the main body, installing the mounting hardware to the junction box, making all necessary electrical connections, mounting backplate to the wall and then installing the fixture shade and crystals.

SAFETY WARNING: Read wiring and grounding instructions [FRIS 18] and any additional directions. Turn power supply off during installation. If new wiring is required, consult a qualified electrician or local authorities for code requirements.

STEP 1

- 1 Prepare mounting strap (a) by threading nipple (c) into the center hole of the mounting strap (a), approximately 1/4" - see Drawing 1.
- 2 Attach mounting strap (a) to junction box (j) using two screws (b) provided.

STEP 2 Make electrical connections from supply wire to fixture lead wires. Refer to instruction sheet (I.S. 18) and follow all instructions to make all necessary wiring connections. Then refer back to this sheet to continue installation of this fixture.

STEP 3

- 1 To mount backplate to wall, slip center hole of backplate (e) over nipple (c) and hold fixture in position - see Drawing 1.
- 2 Thread decorative knob (d) onto end of nipple (c) and tighten to secure fixture.
- 3 Fixture can now be lamped accordingly.

STEP 4

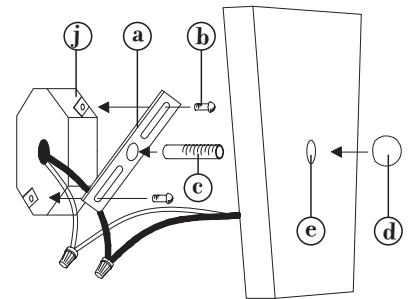
- 1 To install shade, remove knob (1) from bracket (2) - see Drawing 2.
- 2 Place shade harp (3) onto top of bracket (2) and over threaded tubing.
- 3 Thread knob (1) onto threaded tubing of bracket (2) and tighten to secure shade.

STEP 5

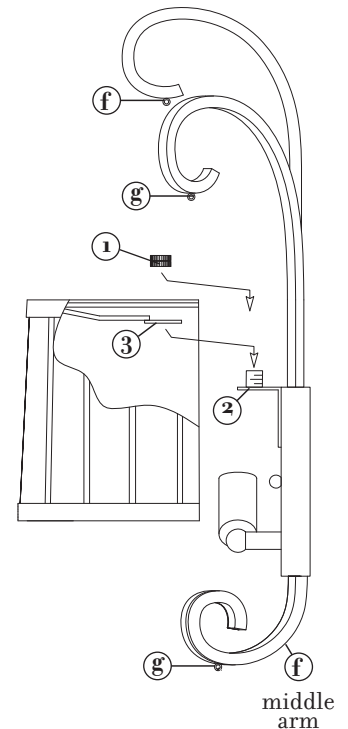
This Prosecco sconce uses 2 sizes of crystal pendalogues.

- 1 Working from the top of the fixture down, attach large crystal pendalogues (2) to eyelets (f) - See Drawing 2.
- 2 Attach small crystal pendalogues (1) to eyelets (g).

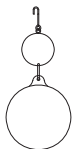
[DRAWING 1]



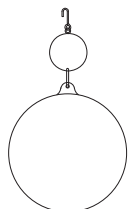
[DRAWING 2]



crystal 1
R49430CRY-A1



crystal 2
R49430CRY-B1



FREDRICK RAMOND
ESTABLISHED 1965

800.421.3517 WWW.FREDRICKRAMOND.COM

1.26.09