

# PROSECCO

FR49434RCO



Bulbs: 60W CAND. Replacement Parts: SHADE: R49434SH CRYSTALS: R49430CRY-B2, R49430CRY-C1

## ASSEMBLY INSTRUCTIONS

Assembly of this fixture will be accomplished by first attaching the shade, installing mounting hardware to junction box, making all necessary electrical connections, hanging the fixture and then installing the fixture shade and crystals.

**SAFETY WARNING:** Read wiring and grounding instructions [FRIS 18] and any additional directions. Turn power supply off during installation. If new wiring is required, consult a qualified electrician or local authorities for code requirements.

### STEP 1

- 1 Attach shade (c) to crossbar (b), of the main body (a), using ball knob studs (d) - See Drawing 1.
- 2 Thread loop (e) onto nipple (f).

**STEP 2** Refer to Hanging Instruction Sheet [FRIS19] to hang fixture. Then refer back to this sheet to continue installation of this fixture.

### STEP 3

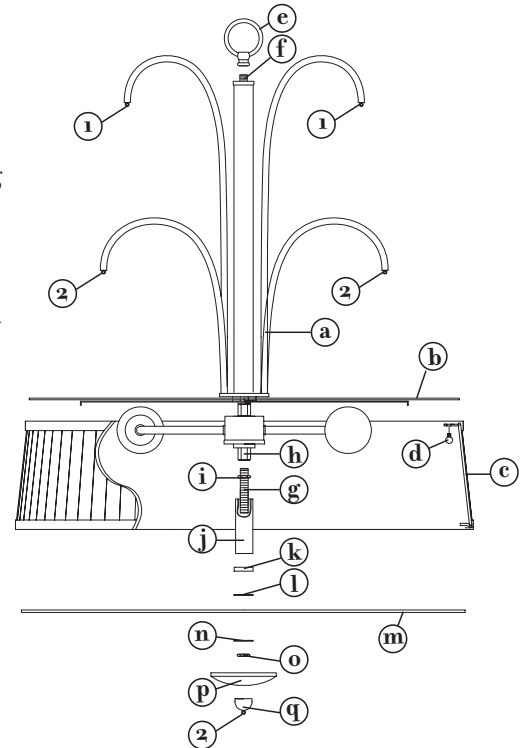
- 1 Thread tubing (g) into coupler (h) approximately 3/8" - See Drawing 1.
- 2 Thread nut (i) on tubing (g) and tighten up against coupler (h) to lock tubing (g) into place.
- 3 Slip tubing (j) over tubing (g) followed by cap (k) and hold in position.
- 4 Slip rubber washer (l) onto tubing (g). Tension of rubber washer (l) will hold parts in position.
- 5 Slip glass diffuser (m) onto tubing (g) and hold in position.
- 6 Slip flat washer (n) onto tubing (g). Remain holding glass diffuser (m) in position.
- 7 Thread hex nut (o) onto tubing (g) and tighten up against flat washer (n) to secure glass (m) in place.
- 8 Slip cap (p) onto tubing (g) and thread decorative knob (q) onto tubing (g) and tighten.

### STEP 4

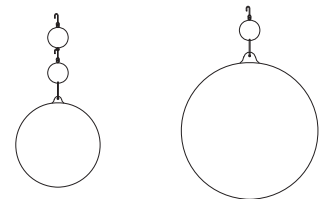
This Prosecco pendant uses 2 sizes of crystal pendants.

- 1 Working from the top of the fixture down, attach small crystal pendants (1) to eyelets (1) - See Drawing 1.
- 2 Attach large crystal pendants (2) to eyelets (2).

[DRAWING 1]



crystal 1 R49430CRY-B2      crystal 2 R49430CRY-C1



**FR**  
**FREDRICK RAMOND**  
ESTABLISHED 1965