

PROSECCO

FR49435RCO



Bulbs: 60W CAND. G 16½

Replacement Parts: SHADE: R49433SH CRYSTALS: R49430CRY-B1, R49430CRY-B2, R49430CRY-C2, R49430CRY-C4

ASSEMBLY INSTRUCTIONS

Assembly of this fixture will be accomplished by first spreading the arms to their proper position, assembling main fixture assembly, installing mounting hardware to junction box, making all necessary electrical connections, hanging the fixture and then installing the fixture shade and crystals.

SAFETY WARNING: Read wiring and grounding instructions [FRIS 18] and any additional directions. Turn power supply off during installation. If new wiring is required, consult a qualified electrician or local authorities for code requirements.

STEP 1

- 1 To assemble main body, slip center tube (b) along wire and thread into nipple (c) located at the top of the main body assembly (a) - See Drawing 2.
- 2 Slip outer tubing (d) over center tube (b) followed by cap (e).
- 3 Slip loop (f) along wire and thread onto top of center tube (b) and tighten.
- 4 Rotate arms (k) until they are approximately 72 degrees apart - See Drawing 1.

STEP 2 Refer to Hanging Instruction Sheet [FRIS19] to hang fixture. Then refer back to this sheet to continue installation of this fixture.

STEP 3

- 1 To install shade, remove socket ring (1) from socket (2) - See Drawing 2.
- 2 Slip shade (3) over socket (2) and hold in position.
- 3 Thread socket ring (1) onto socket (2) and hand-tighten to secure shade.
- 4 Fixture can now be lamped accordingly.

STEP 4

This Prosecco semi-flush uses 4 sizes of crystal pendulogues.

- 1 Working from the top of the fixture down, attach medium crystal pendulogues (2) to eyelets (g) - See Drawing 2.
- 2 Attach large crystal pendulogues (3) to eyelets (h).
- 3 Attach small crystal pendulogues (1) to eyelets (i).
- 3 Attach extra large crystal pendulogue (4) to eyelet (j).

crystal 1
R49430CRY-B1



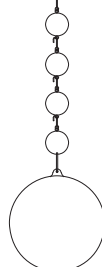
crystal 2
R49430CRY-B2



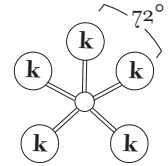
crystal 3
R49430CRY-C2



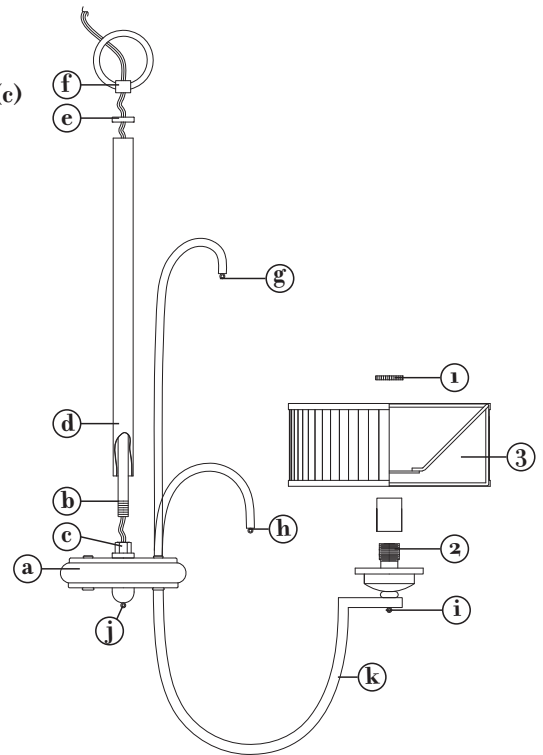
crystal 4
R49430CRY-C4



[DRAWING 1]



[DRAWING 2]



FR
FREDRICK RAMOND
ESTABLISHED 1965