

BARCELONA



Bulbs: 60W MED.

FR44106FRM

ASSEMBLY INSTRUCTIONS

Assembly of this fixture will be accomplished by first installing the mounting hardware to the junction box, making all necessary electrical connections, mounting backplate to the wall, attaching the glass and then hanging the crystals.

SAFETY WARNING: Read wiring and grounding instructions [FRIS 18] and any additional directions. Turn power supply off during installation. If new wiring is required, consult a qualified electrician or local authorities for code requirements.

STEP 1

- 1 Prepare mounting strap (a) by threading nipple into the center hole of the mounting strap (a), approximately 1/4" - see Drawing 2.
- 2 Attach mounting strap (a) to junction box (j) using two screws (b) provided.

STEP 2 Make electrical connections from supply wire to fixture lead wires. Refer to instruction sheet (FRI.S. 18) and follow all instructions to make all necessary wiring connections. Then refer back to this sheet to continue installation of this fixture.

STEP 3

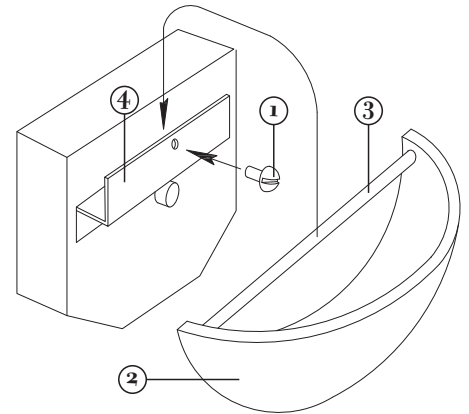
- 1 To mount backplate to wall, slip center hole of backplate (e) over nipple (c) and hold fixture in position - see Drawing 2.
- 2 Thread decorative knob (d) onto end of nipple (c) and tighten to secure fixture.
- 3 Fixture can now be lamped accordingly.

STEP 4

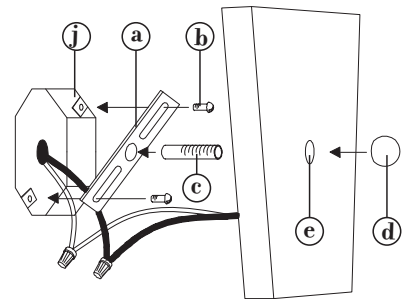
- 1 To install glass, remove screw (1) located in the middle of backplate cradle (4) - See Drawing 1.
- 2 Take alabaster shade (2) and slip crossbar (3) into cradle (4) and center.
- 3 Tighten screw (1) to secure glass to fixture.

STEP 5 Refer to Crystal Installation Sheet provided to install crystals.

[DRAWING 1]



[DRAWING 2]



FREDRICK RAMOND

ESTABLISHED 1965

800.421.3517 WWW.FREDRICKRAMOND.COM

9.12.08

BARCELONA



FR44106FRM

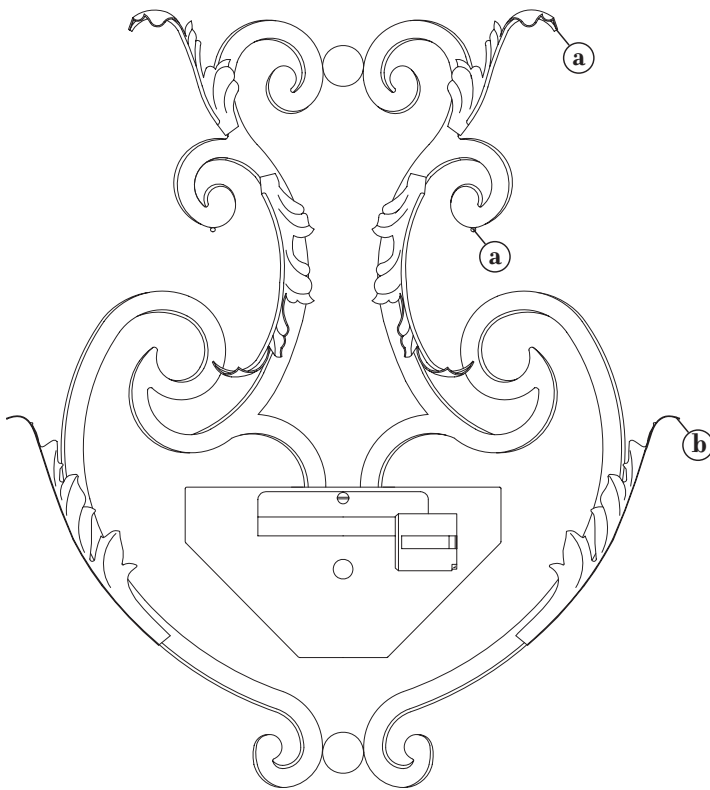
Bulbs: 60W MED. Replacement Parts: CRYSTALS: R44110CRY-A, R44110CRY-B

CRYSTAL INSTALLATION INSTRUCTIONS

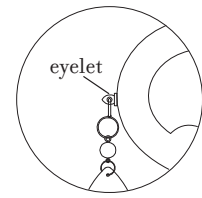
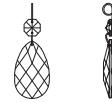
This Barcelona chandelier use 2 sizes of crystals pendulogues.

STEP 1

- 1 Starting at the top of the fixture and working your way down, attach small size pear shape crystal (1) to eyelet (a).
- 2 Attach medium pear shaped crystal (2) to eyelet (b).
- 3 Repeat steps 1-2 for remaining arms.



crystal 1
R44110CRY-A



crystal 2
R44110CRY-B




FREDRICK RAMOND
ESTABLISHED 1965

800.421.3517 WWW.FREDRICKRAMOND.COM

9.12.08