

EV-SPLASH-RND

Splash Downlight

Technical Data Sheet



DESCRIPTION

Domus Lighting is pleased to announce the arrival of its NEW SPLASH range of LED downlights. The SPLASH has been designed as a contemporary IP rated down light suitable for areas such as bathrooms, toilets and exterior applications. Utilising world leading SAMSUNG LED technology and a mains dimmable LED driver gives this downlight unsurpassed performance not seen by others. Ultra slim housing also makes this downlight suitable for installations where ceiling space is minimal.



SPECIFICATION FEATURES

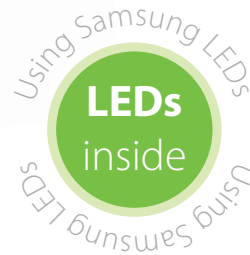
- Power: 13W
- Beam Angle: 90°
- Colour Range: WW / W
- CCT: 3000K / 5000K
- Lumens Output: 849lm / 889lm
- Working Voltage: AC240V
- Size: 110 x 31.3mm
- Cutout size: 90mm
- Weight: 0.52kg
- Operating Temperature: -20°C - 65°C
- Certifications: CE, RoHS, SAA
- IP Rated: IP54
- Warranty: 3 years

Product code: EV-SPLASH-RND-W-WW
Order code: 20560
Colour: Satin White - Warm White 3000K

Product code: EV-SPLASH-RND-W-W
Order code: 20561
Colour: Satin White - White 5000K

Product code: EV-SPLASH-RND-S-WW
Order code: 20562
Colour: Silver - Warm White 3000K

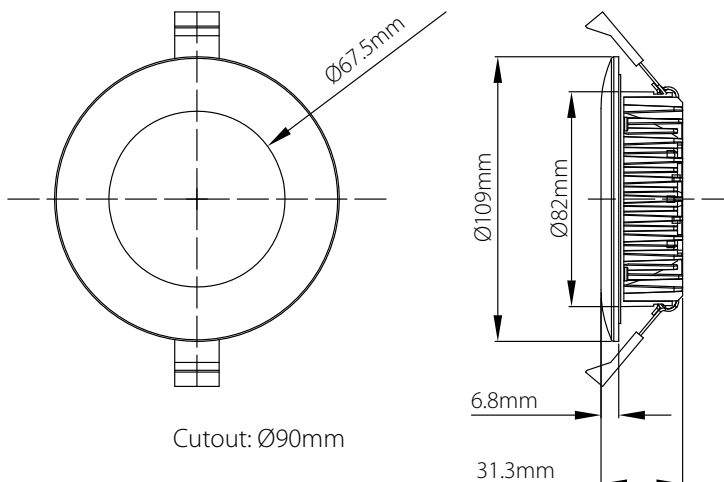
Product code: EV-SPLASH-RND-S-W
Order code: 20563
Colour: Silver - White 5000K



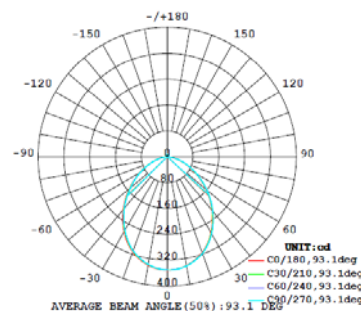
IP54



DIAGRAMS



LUMINOUS INTENSITY DISTRIBUTION DIAGRAM



C0 PLANE ISOLUX DIAGRAM (UNIT:lx)

